

### Tempura patio heating – small heater, big output



The weinor Tempura heating system provides pleasant heat quickly on the patio. It can be attached anywhere, is easy to retrofit and gives off cosy warmth in the evenings and during the cooler months. The infrared rays can be felt as soon as it is switched on. It does not take a long time to heat up, like with other heating systems (e.g. medium wave heaters or dark radiators). When operated using the BiConnect remote control from weinor, the Tempura's heating output can be finely dimmed continuously. The angle of pitch can be adjusted at any time as required for a targeted pleasant temperature.

The Tempura is available in 2 versions: the Tempura in classic round look and now the totally new Tempura Quadra in modern square design.



**Premium quality**  
made in Germany



Tempura and Tempura Quadra are developed and made in Germany. The weinor powder coating ensures top quality and a huge range of colours.



### Tempura heating system – 2 versions for every style of living

2 versions are available to suit your personal taste: the classic Tempura in round look and the new Tempura Quadra in square design.

The compact heating systems can be subtly integrated into any architectural and interior design style.



### Energy-saving infrared heat instantly after switching it on

The heating system's warming infrared rays can be felt instantly after it is switched on. It does not take a long time to heat up, like with other heating systems (e.g. medium wave heaters). In the Tempura Quadra new infrared tubes even filter up to

99% of the visible rays of light. The Tempura's heating output can be finely dimmed in combination with the BiConnect remote control. Note: It is possible that tension sounds may be heard when switching it on and off.



### Tilting housing – easy to mount

The heating system's housing can be tilted up and down continuously. The heat can therefore be directed to just the right spot. The Tempura and Tempura Quadra can be mounted to any wall using the universal bracket.

The Tempura Quadra can be mounted directly onto the weinor Opal Design II awning and the round Tempura can also be mounted onto the weinor Semina Life awning using a special bracket.



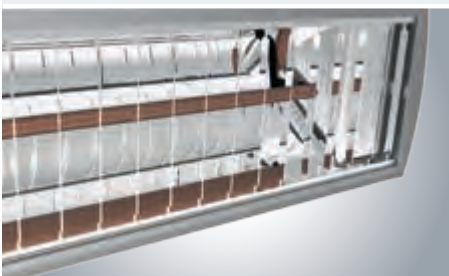
Tempura Quadra

### Housing the remote components

While the remote receivers are housed in the design bar with the Tempura Universal, they can be integrated into the base with the Tempura Quadra Universal.



Tempura Universal



### Protection against overheating and splash-proof

The Tempura is designed for use outdoors. Protection against spray water, e.g. a glass panel, is not required. TÜV certified, protection class 1, protection category IP24.

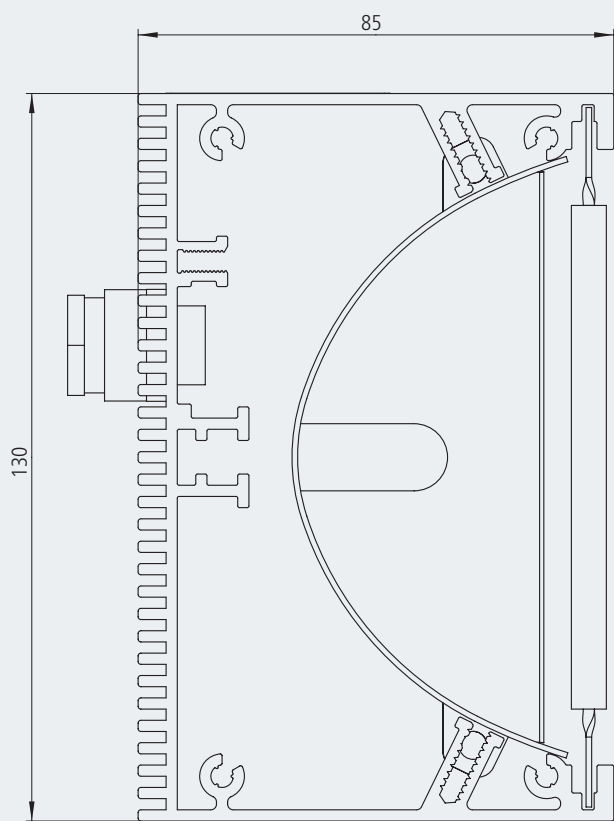


## Overview of Tempura Quadra/Tempura patio heating

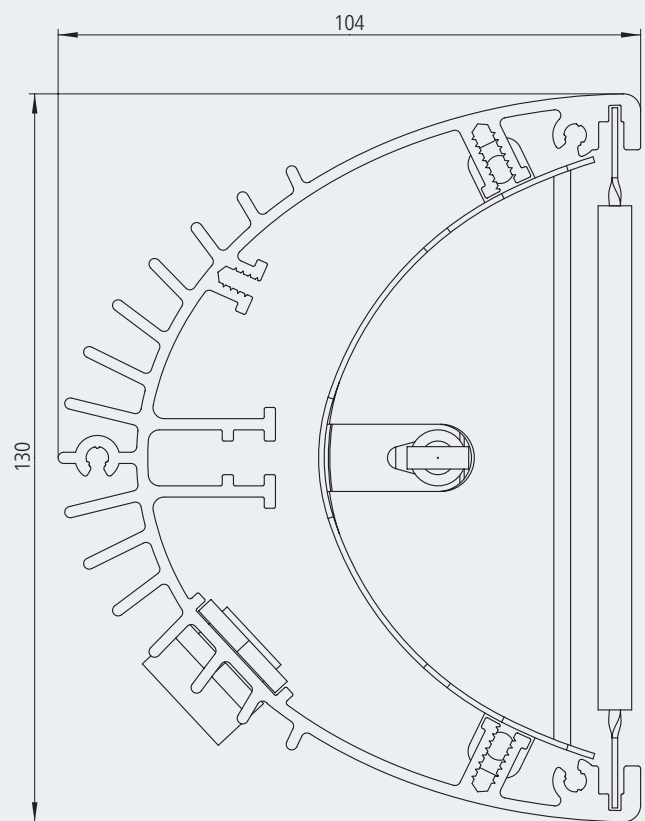
	Tempura Quadra patio heating	Tempura patio heating
<b>Technology</b>		
Dimensions (width x height x depth)	40.5 cm x 13 cm x 17 cm; 40.5 cm x 13 cm x 9 (for Opal Design II)	46 cm x 13 cm x 11 cm
Output/power consumption	230 Volt, 50 Hertz, 1,500 Watt	230 Volt, 50 Hertz, 1,500 Watt
Weight	4.4 kg (Universal); 3 kg (for Opal Design II)	2.6 kg
<b>Tilt radius</b>		
Universal wall mounting	40°	40°
Roof/ceiling mount (swivels in both directions)	65°	70°
Fitting for Opal Design II	15°	40°
Fitting for Semina Life	—	15°
<b>Installation options</b>		
Universal installation on walls and ceilings	●	●
Brackets for fitting for Opal Design II	●	●
Brackets for fitting for Semina Life	—	●
<b>Design</b>		
47 standard frame colours	●	●
Over 150 other RAL colours	○	○
9 trend colours	●	●
Other structural colours	○	○
<b>Controls</b>		
Remote control	○ see overview on page 7	○ see overview on page 7
Hard wired control (to existing wall switch on site)	●	●
Cabling	0.3 m silicone lead, Hirschmann coupling and 1.5 m lead with plug (not suitable for continuous operation)	
<b>Quality</b>		
	Made in Germany	
	TÜV-tested security (GS mark) IP Code 24 (splash protection) protection rating I	

- standard
- optional
- unavailable

Sectional drawing of Tempura Quadra/Tempura

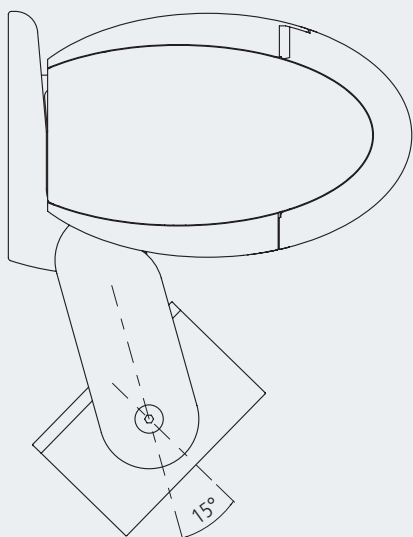


Tempura Quadra

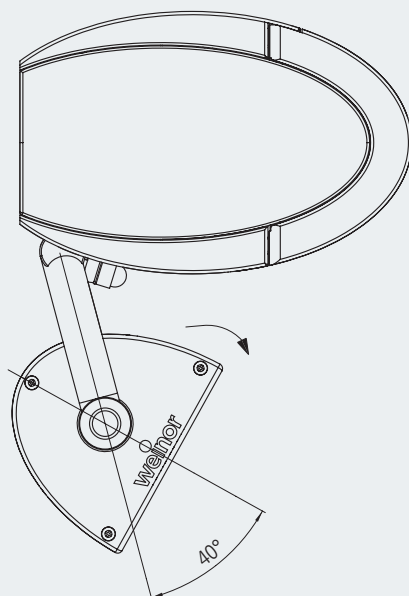


Tempura

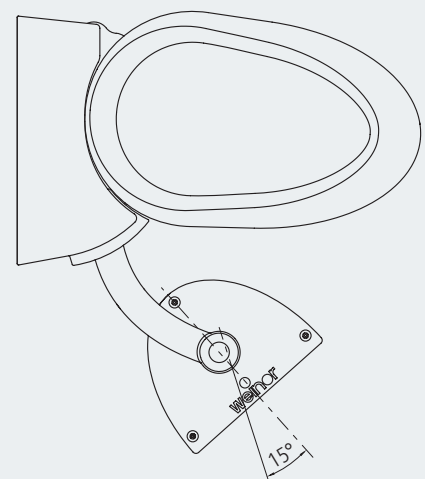
Attachment using special bracket



When attached to an Opal Design II, the Tempura Quadra can be swivelled 15°.

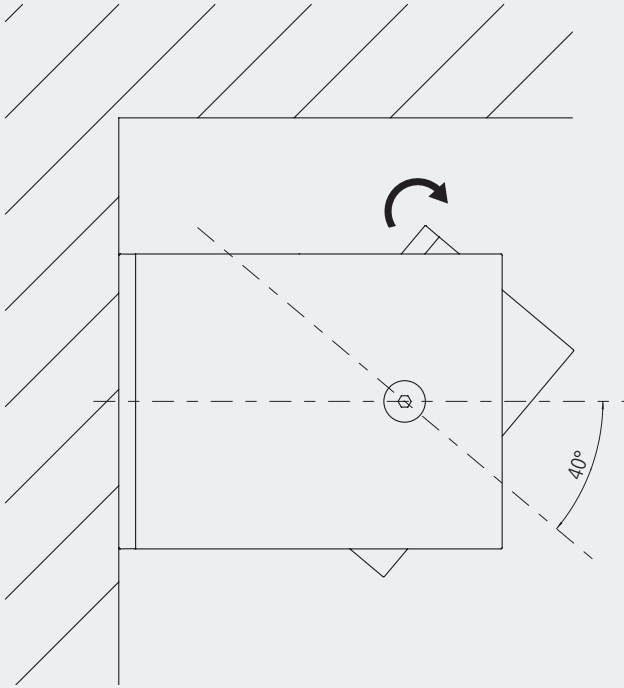


When attached to an Opal Design II, the Tempura can be swivelled 40°.

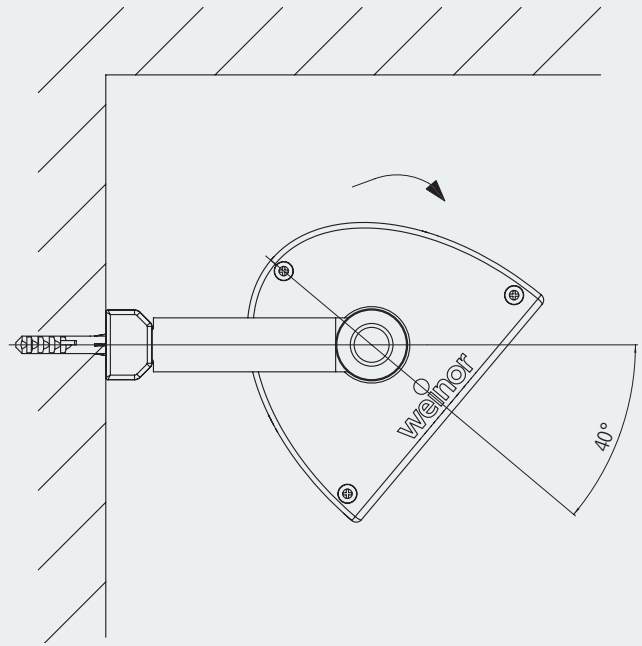


When attached to a Semina Life, the Tempura Quadra can be swivelled 15°.

Tempura Quadra/Tempura wall mounting

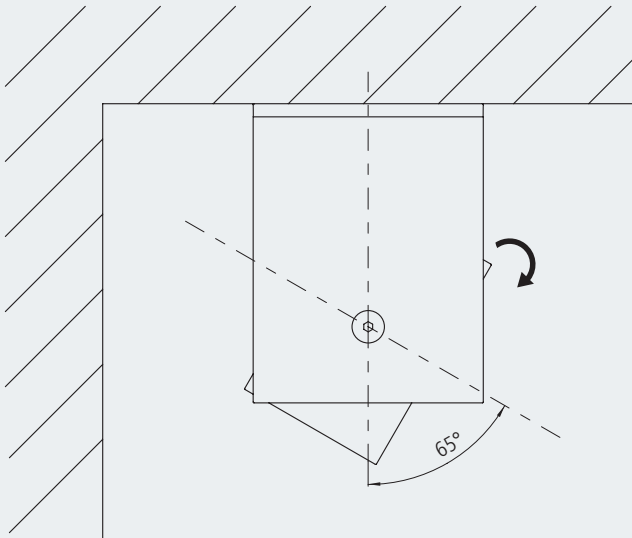


When installed on a wall the Tempura Quadra can be swivelled at any angle up to 40°.

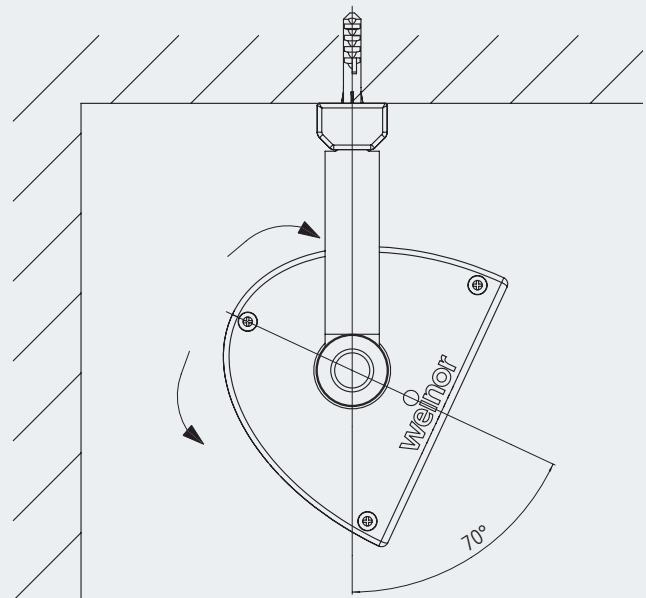


When installed on a wall the Tempura can be swivelled at any angle up to 40°.

Tempura Quadra/Tempura ceiling mounting



When installed on a ceiling the Tempura Quadra can be swivelled at any angle up to 65°.



When installed on a ceiling the Tempura can be swivelled at any angle up to 70°.