

weinor PergoTex II/ PergoTex II LED Instructions for assembly

Pergola awning with electric drive



ENGLISH

Please read these instructions and observe their content and warnings before commencing any installation work. This information is important for the installation and the proper use of the material.

Follow the specified installation steps precisely and observe the details and recommendations.

Only trained personnel may put the constructions into operation.



118697

List of contents

1	Details on instructions for assembly	4
1.1	Validity of these instructions	4
1.2	CE mark	4
1.3	Depiction	5
1.3.1	Warnings	5
1.3.2	Tips and recommendations	5
1.3.3	Illustrations	5
1.3.4	Instructions requiring action	5
2	safety instructions	6
2.1	Fundamental safety instructions	6
2.2	Qualifications	6
2.2.1	Electrical operations	6
2.3	Transportation	7
2.4	Lifting with ropes	7
2.5	Fixing material	7
2.6	Ladders	7
2.7	Anti-fall guards	7
2.8	Electrical connection	8
2.9	Intended use	8
2.10	Unsupervised operation	8
2.11	Crushing and cutting zones	8
2.12	Note on the generation of noises (creaking) on the system in the event of temperature changes !	9
2.13	Handover	9
2.14	Test run	9
3	Fixing materials	10
3.1	Details on adhesives and sealing compound	10
4	Product description	11
4.1	Schematic diagram of the weinor PergoTex II Basic/ LED	11
4.2	Schematic diagram of the weinor PergoTex II/ LED	12
5	Wall installation	13
5.1	Installation of the wall gap sealing profile	13
5.2	Installation of post and guttering	15
5.2.1	Determining the length of posts	15
5.2.2	Standard configuration: mounting post with post plate	16
5.2.3	Option: Setting posts in concrete	18
5.2.4	Installation of post and guttering	19
5.3	Installation of the side channels	21
5.4	Installation of the guttering safety shield	24
5.4.1	Alignment of side channels	25
5.5	Installation of octagonal shaft and drive	26
5.6	Installation of the safety shield retaining profile	28
5.7	Sealing beaded profile with gutter	28
5.8	Installation of the safety shield support profile	29
5.9	Installation of the safety shield profiles	30
5.10	Installation of fabric package with transoms	32
5.11	Functional check	35
5.11.1	safety instructions	35
5.11.2	Checking the functions of the construction	35
5.11.3	Test run	35
5.12	Installation of wall sealing gap fabric	36

5.13	Installation of water drain outside post	37
5.14	Installation of the water drain post centre/ wall	39
5.15	(optional) Installation of VertiTex guide rails on posts	40
5.16	Installation of the protective leaf grille in the safety shield guttering	40
5.17	Installation of the "guttering cover cap"	41
5.18	Installation of the "wall cap sealing profile cover plate" and " wall gap sealingprofile cover cap"	42
5.19	Installation of the "wall gap sealing profile top section"	43
5.20	Sealing.....	43
6	Multi-section unit.....	44
6.1	Coupling wall gap sealing profile.....	44
6.2	Gutter coupling	45
6.3	Installation of the side channels for a multi-section unit.....	47
6.4	Installation of the "safety shield retaining profile cover"	48
7	Special installation cases	49
7.1	Installation on a lateral wall	49
7.2	Roof installation.....	50
8	Installation of the weinor PergoTex II Basic/ LED	51
9	Electrical connection	52
9.1	safety instructions.....	52
9.2	Regulating the end positions.....	52
9.3	Programming the Somfy radio.....	53
9.4	Circuit diagrams for connection of the adjustment kit.....	54
9.5	Cassita II with Hirschmann connection assembly	57
9.6	Lead routing for constructions without LED lighting	57
10	weinor PergoTex II LED lighting.....	58
10.1	Safety instructions on LED lamps.....	58
10.2	Technical details - LED lamps	58
10.2.1	Lighting device.....	58
10.2.2	LED lamps	58
10.3	Lead routing for installation of the construction with LED lights	58
11	Fault analysis.....	59
12	Handover.....	61
13	Disposal	61
14	Handover certificate.....	62
15	Declaration of performance.....	63
16	GB EU Declaration of Conformity weinor PergoTex II	64
17	GB EU Declaration of Conformity weinor PergoTex II LED	65

1 Details on instructions for assembly

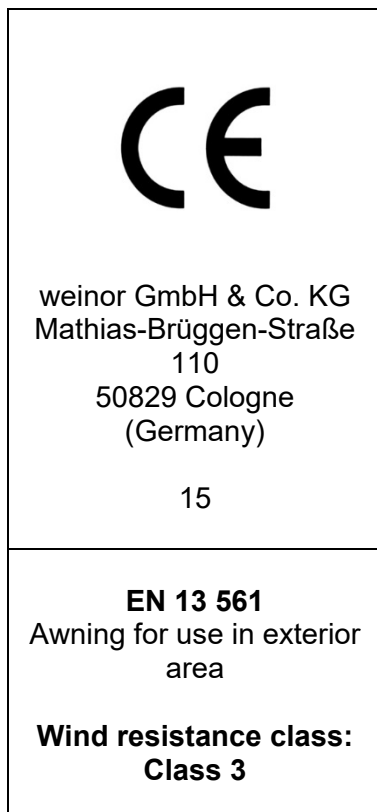
These instructions are geared towards trained fitters and require knowledge of installation techniques. The weinor PergoTex II may only be installed by specially qualified personnel with corresponding installation experience.

1.1 Validity of these instructions

The weinor PergoTex II has been approved for export and Germany.

1.2 CE mark



We, weinor GmbH & Co. KG, hereby expressly confirm that the weinor PergoTex II complies with the fundamental requirements and other relevant stipulations of the EN standards.




1.3 Depiction

1.3.1 Warnings

The warnings differentiate between personal injury and damage to property. The signal word "Danger" is used for personal injury, and "Caution" for property damage.

 DANGER	Immediate danger to life and limb!
 IMPORTANT	Immediate danger to the product and environment!

1.3.2 Tips and recommendations

	Highlights useful tips and information that enable fast and correct installation.
---	---

1.3.3 Illustrations

Details on item numbers can be found in the text in parentheses, e.g. **(1)**.

1.3.4 Instructions requiring action

Instructions requiring action are written in bold print. If the instruction requiring action consists of several individual steps, these have been numbered in the order in which they are to be carried out, e.g.:

1.	Mounting the wall gap sealing profile
	1. Determine position
	2. Prepare and drill holes

2 safety instructions

DANGER

Personal injury

Risk of personal injury due to improper installation of the sun protection.

Please read and observe the safety instructions contained in this section.

IMPORTANT

Product and property damage

Risk of personal injury and material damage due to improper installation of the sun protection.

▶ **Please read and observe the safety instructions contained in this section.**

2.1 Fundamental safety instructions

- The installation and operating manual must be read and observed.
- Observe the corresponding accident prevention regulations.
- Ensure when installing the awning that all existing electrical connections are disconnected.
- Cordon off a large space around the installation site.
- Check that all scaffolding and building facilities are duly safe and secure.
- Observe the stipulations relating to dowels and fixings.
- Only work with fully intact and appropriate tools.
- Keep plastic sheeting, packaging material and small parts away from children – risk of suffocation!
- At least two technicians are required for the installation.

2.2 Qualifications

The instructions for assembly are aimed at qualified technicians who have knowledge of and are experienced in the following areas:

- Safety at work, operating safety and accident prevention regulations
- Use of ladders and scaffolding
- Handling and transporting long, heavy components
- Handling and transporting glass panes
- Handling tools and machines
- Fitting the fixing materials
- Estimation of building structure
- Start-up and operation of the product.

If one of these qualifications is lacking, a qualified assembly firm must be brought in.

2.2.1 Electrical operations

In accordance with VDE 100 safety regulations, electrical work may only be carried out by an electrically skilled person. The installation instructions accompanying the supplied electrical equipment must be observed.

2.3 Transportation

The maximum permissible axle loads and gross vehicle weight of the goods vehicles must not be exceeded. Loading a vehicle can alter its handling characteristics.

The transported goods must be mounted properly and securely. The packaging must be protected against moisture. Softened packaging can come loose and cause accidents. Packaging which has been opened for incoming goods inspections must be sealed again properly for further transport.

When unloaded, the sun protection must be carried to the place of installation the right way round so it does not have to be turned round again in a confined space. The note on the packaging about which way up the construction should be placed must be noted.

2.4 Lifting with ropes

If the weinor PergoTex II needs to be raised to a higher level using ropes, the weinor PergoTex II must be

- removed from the packaging;
- connected to the hauling ropes so that it cannot slide out;
- lifted horizontally and evenly.

The same applies when dismounting the weinor PergoTex II.

2.5 Fixing material

The weinor PergoTex II complies with the requirements of the wind resistance class shown on the CE-conformity mark. When fitted, it only complies with these requirements provided that the weinor PergoTex II is installed in the manner recommended by the manufacturer, and the weinor PergoTex II is installed using the dowel extraction forces recommended by the manufacturer, and the manufacturer's guidelines on dowels are observed when performing the installation work.

2.6 Ladders

Do not lean ladders against the weinor PergoTex II or mount them to the weinor PergoTex II. Ladders must be on a firm base and provide adequate support. Only use ladders with adequate load-bearing capacity.

2.7 Anti-fall guards

Workers run the risk of falling when working at elevated heights. Suitable fall protection equipment must be used.

2.8 Electrical connection

The weinor PergoTex II may only be connected to an electricity supply if the specifications provided on the tag attached to the weinor PergoTex II and/or the specifications provided in the supplied instructions for assembly tally with the power source. At the very least, the tag and/or specifications must specify the voltage, frequency and output values.

The installation instructions accompanying the supplied electrical components must be observed. A permanent electrical connection may only be made to power grids fitted with an all-pole cutting of plate cylinder with a minimum 3 mm wide contact gap.

2.9 Intended use

The weinor PergoTex II is a sunscreen and rain protection construction and may only be used for sun and rain protection. Failure to use the product as intended may result in severe danger.

Alterations such as attaching items, or conversions not envisaged by weinor may only be carried out with weinor's written consent.

Additional loads on the weinor PergoTex II caused by hanging articles from it or by anchoring ropes may result in damage or cause the weinor PergoTex II to fall and are therefore not permissible.

2.10 Unsupervised operation

When working in the range of movement of the weinor PergoTex II, the automatic controls must be switched off. There is a danger of trapping or the awning falling down.

Measures must also be taken to ensure that the weinor PergoTex II cannot be operated unintentionally. These include cutting off the power source, e.g. by disconnecting the fuses or removing the connector coupling from the drive.


If the weinor PergoTex II is operated by several users, a steering priority locking device must be installed (controlled interruption of the power supply from outside), making it impossible to open or retract the weinor PergoTex II at all.

2.11 Crushing and cutting zones

If the weinor PergoTex II is installed at a height of less than 2.5 metres above areas accessed by people, the weinor PergoTex II may only be operated using a key switch with all moving parts in sight. Electrical controls, radio controls with latch switches, catchers etc. are not permissible here.

The key switch must be fitted in the line of sight of the drop profile, but far enough removed from the moving parts, at a height of 1.5 metres (national regulations relating to disabled people must be observed).

2.12 Note on the generation of noises (creaking) on the system in the event of temperature changes !

	<p>Noises which occur on the system after proper assembly and/or maintenance are unavoidable and are mostly due to the expansion of components due to the effect of heat.</p> <ul style="list-style-type: none">• Ensure stress-free assembly when screwing the individual components together in order to minimise subsequent noise generation, particularly in the event of temperature influences!
---	---

2.13 Handover

All operating manuals as well as the manufacturer's assembly and setting instructions for drives, commutators and controls must be handed to the user who must be instructed in the operation of the unit. Detailed instruction II on the safe and proper operation of the weinor PergoTex II must be given. If this is not adhered to and the weinor PergoTex II is operated incorrectly, damage or accidents could result.

The instructions must be retained by the customer and passed on to the new owner if ownership of the weinor PergoTex II is passed to a third party.

After noting the structural conditions and completing assembly, the installation firm is to inform the user whether the wind resistance class specified by the manufacturer was achieved following assembly. If not, the installation firm must record the wind resistance class actually achieved. Automatic controls must be set to this level.

The customer must confirm to the fitter in writing that the weinor PergoTex II is the right model and has been installed correctly, indicating the assembly time, and that final acceptance of the weinor PergoTex II has taken place during which the safety instructions were discussed (see Handover section).

2.14 Test run

- When ascending the weinor PergoTex II for the first time, its working range and the area below it must be kept clear. A visual inspection of the fixing material and brackets must be performed after the weinor PergoTex II has been ascended for the first time.
 - When carrying out test runs, never use automatic system controls or commutators if the weinor PergoTex II is not in the operator's line of vision (danger of unintentional start-up). We recommend that you connect a test lead to the motor input.
 - With the weinor PergoTex II, it is especially important to set the drive during running-in with point limiter approx. 2 cm before the end position and during ascending with torque limiter.
- The installation and adjustment instructions supplied by the manufacturer of the drive, commutators and controls must be observed.

3 Fixing materials

The table below contains an overview of the installation materials you will need for installation of the weinor roof and where you can obtain them:

Material	Available through weinor	Alternative supplier	Contact
Standard parts			
Screws for fixing to the wall and roof	No	Local hardware store	
Jointing compound			
Take seal sealant	Yes	Fix-Tec	www.fix-tec.de
Pre-compressed sealing tape	No	Adolf Würth GmbH & Co. KG	www.würth.de
Allround mastic tape Extrem plus 5000	No	KONTEX Bausysteme GmbH	www.kontex-bausysteme.de

All installation materials required for the on-site circuit points must be ordered by the on-site crew.

Please ensure that all screws you order are made of stainless steel (A2).

3.1 Details on adhesives and sealing compound

Recommendations for selecting adhesive and sealing compound:

"Take seal sealant" from Fix-Tec

Alternative jointing compounds:

- Please follow the manufacturer's guidelines
- Check on-site whether these are suitable

Sealing the on-site circuit points:

- Choose adhesives and sealants in accordance with the on-site structural conditions
- Please follow the manufacturer's guidelines

Provision before applying the adhesive and sealant:

- Clean and prime all parts and surfaces before conglutination
- If structural colours have been used, sand down the areas to be glued then clean and prime
- The gluing/sealing work should only be performed at reasonable temperatures (always follow the manufacturer's guidelines for adhesives and sealing compound)

Failure to follow these recommendations may result in:

- Leakiness in the constructional circuit points
- A loss in adhesion on certain parts

4 Product description

4.1 Schematic diagram of the weinor PergoTex II Basic/ LED

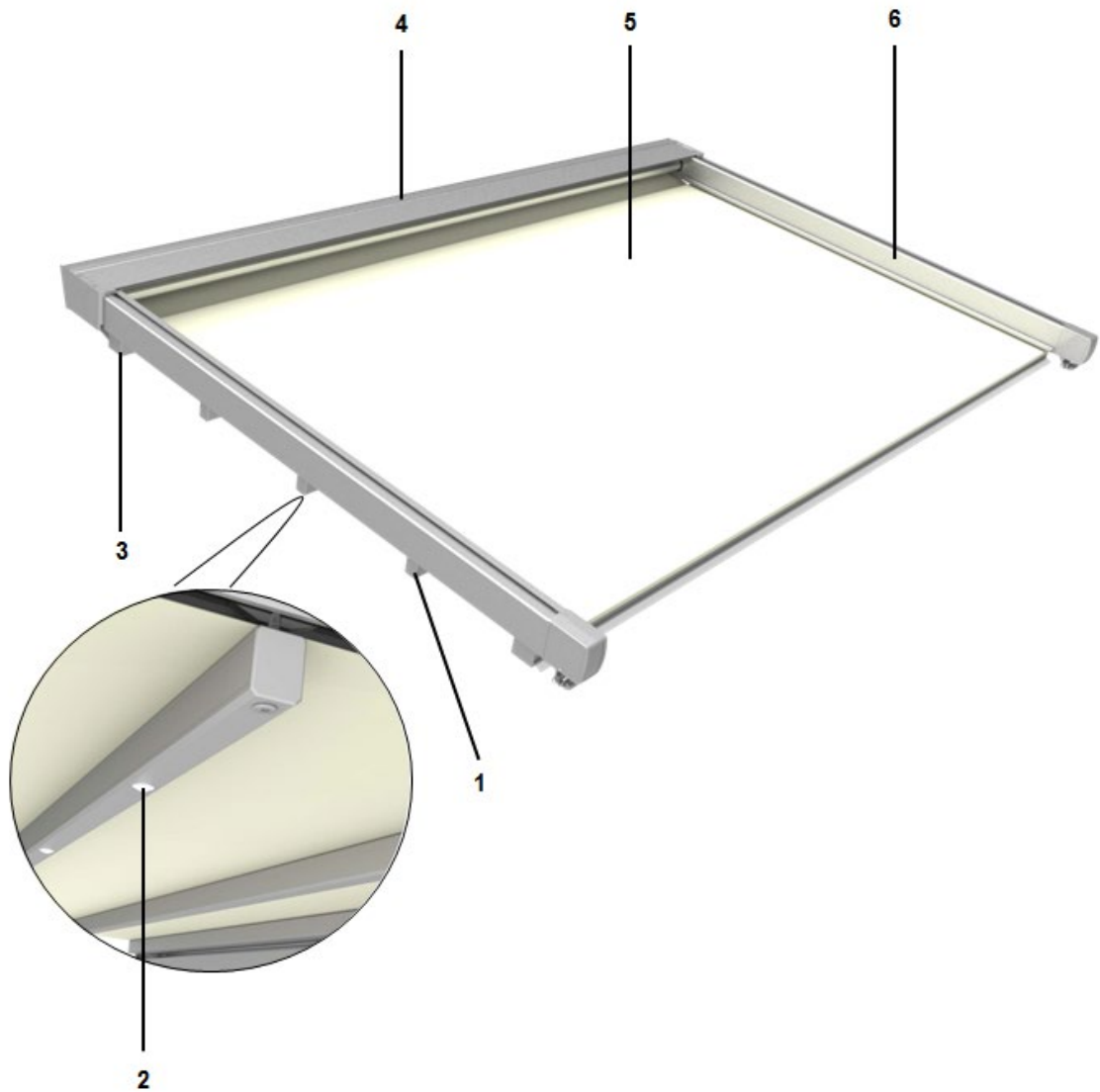


Figure 1: Schematic diagram of the weinor PergoTex II Basic/ LED

1	Transom 45x60 mm	4	Wall bracket
2	LED spotlight	5	Fabric
3	Transom 80x60 mm	6	Side channel

4.2 Schematic diagram of the weinor PergoTex II/ LED

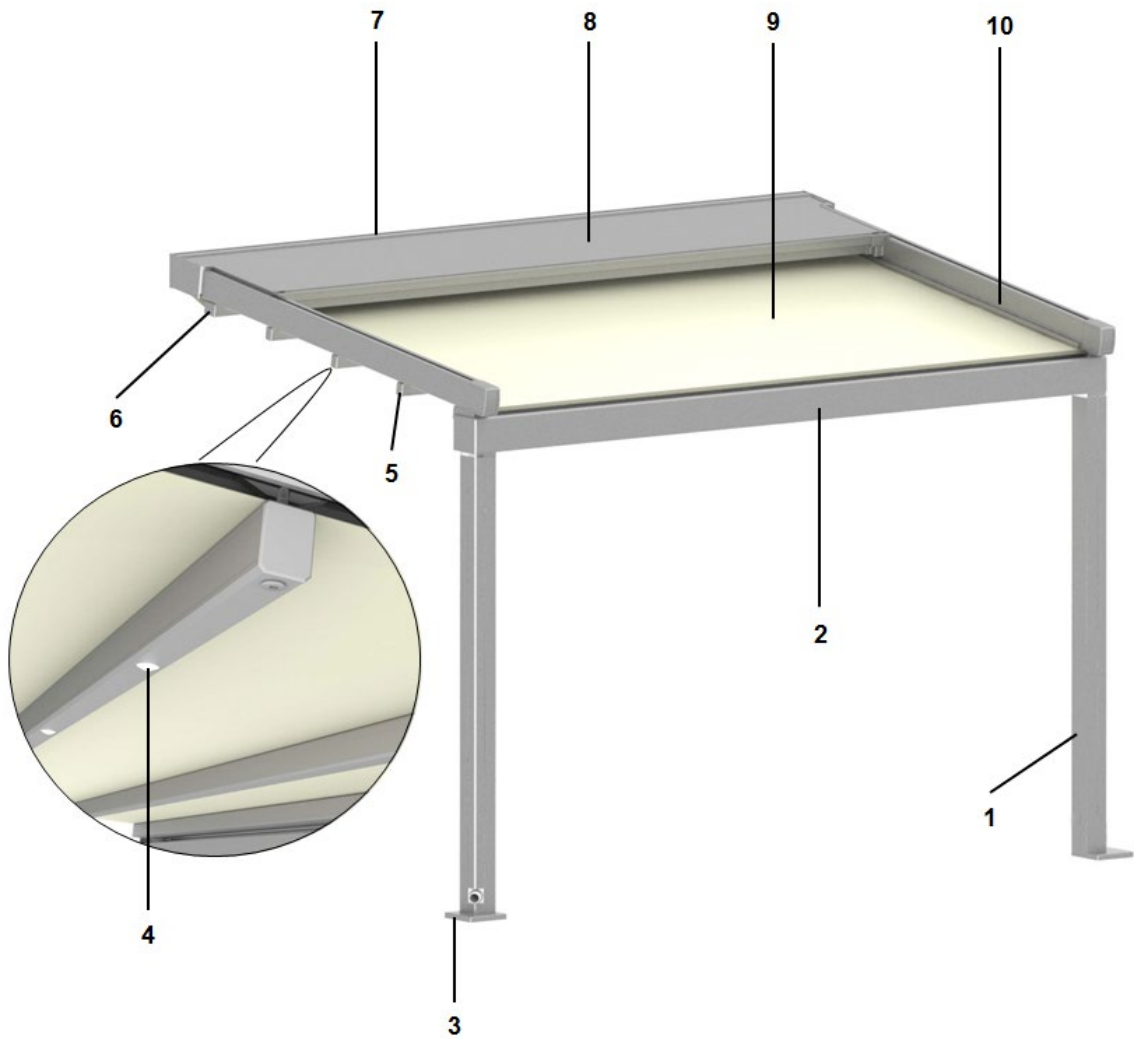


Figure 2: Schematic diagram of the weinor PergoTex II/ LED

1	Post	6	Transom 80x60 mm
2	Guttering	7	Wall bracket
3	Post plate	8	Safety shield with guttering safety shield
4	LED spotlight	9	Fabric
5	Transom 45x60 mm	10	Side channel

5 Wall installation

5.1 Installation of the wall gap sealing profile

IMPORTANT

Improper selected fixing material

Appropriate dowels and chemical anchoring materials must be selected at the site of installation after estimation

of the type of masonry there.

- ▶ **During this estimation, a number of factors must be taken into account: condition, consistency, compactness, surface appearance.**
- ▶ **Further information can be found by consulting the notes provided by the manufacturers of the anchoring systems.**

Unevenness and slopes on the on-site circuit points



Any unevenness and slopes on the on-site circuit points must be levelled out on-site. This is essential to ensure that the weinor PergoTex II is installed correctly.

Possible resources / fixings for levelling out unevenness:

- Support blocks
- Frame wideners

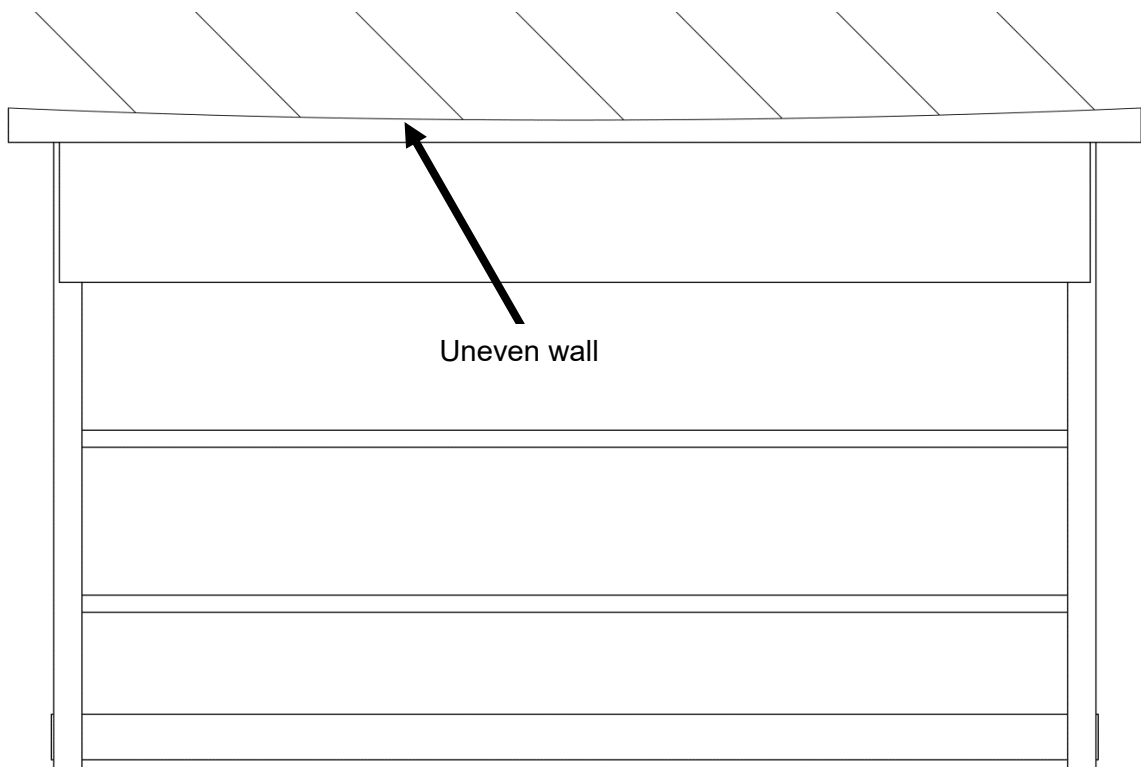




Figure 3: View of uneven wall from above

	<ul style="list-style-type: none"> Choose the number and type of fixing material required on site based on the structural conditions and static requirements. Maximum M12 screws may be used. Additional mounting holes must be drilled on the wall gap sealing profile on site and must be drilled symmetrically to the existing bore holes. 	
<p>1.</p>	<p>Drilling holes for the wall gap sealing profile</p> <p>CAUTION: Check that the wall is even.</p> <ol style="list-style-type: none"> 1. Mark the position where the wall gap sealing profile should be fitted to the wall. Always taking into account the dimensions given in the confirmation of the order. 2. Check for proper alignment. <p>Note: The slotted holes that have already been drilled into the wall gap sealing profile can be used as a template to mark the wall.</p> <ol style="list-style-type: none"> 3. Drill the holes. 	
	<p>Installation tip: for uneven walls, secure the wall gap sealing profile in its intended place; do not tighten the attachment screws. Carry out all further installation steps until you get to the installation of the safety shield and only tighten the attachment screws in the wall gap sealing profile when you have completed this.</p>	
<p>2.</p>	<p>Installation of the wall gap sealing profile</p> <ul style="list-style-type: none"> Hold the wall gap sealing profile and drilled holes firmly against the wall and tighten the corresponding attachment screws. 	

5.2 Installation of post and guttering

5.2.1 Determining the length of posts



- The length of posts must be determined on site.
- If necessary, the posts must be cut to size.
- When cutting, you must ensure that the side of the post with the holes that have been pre-drilled in the factory for the "post connection" is not cut off.

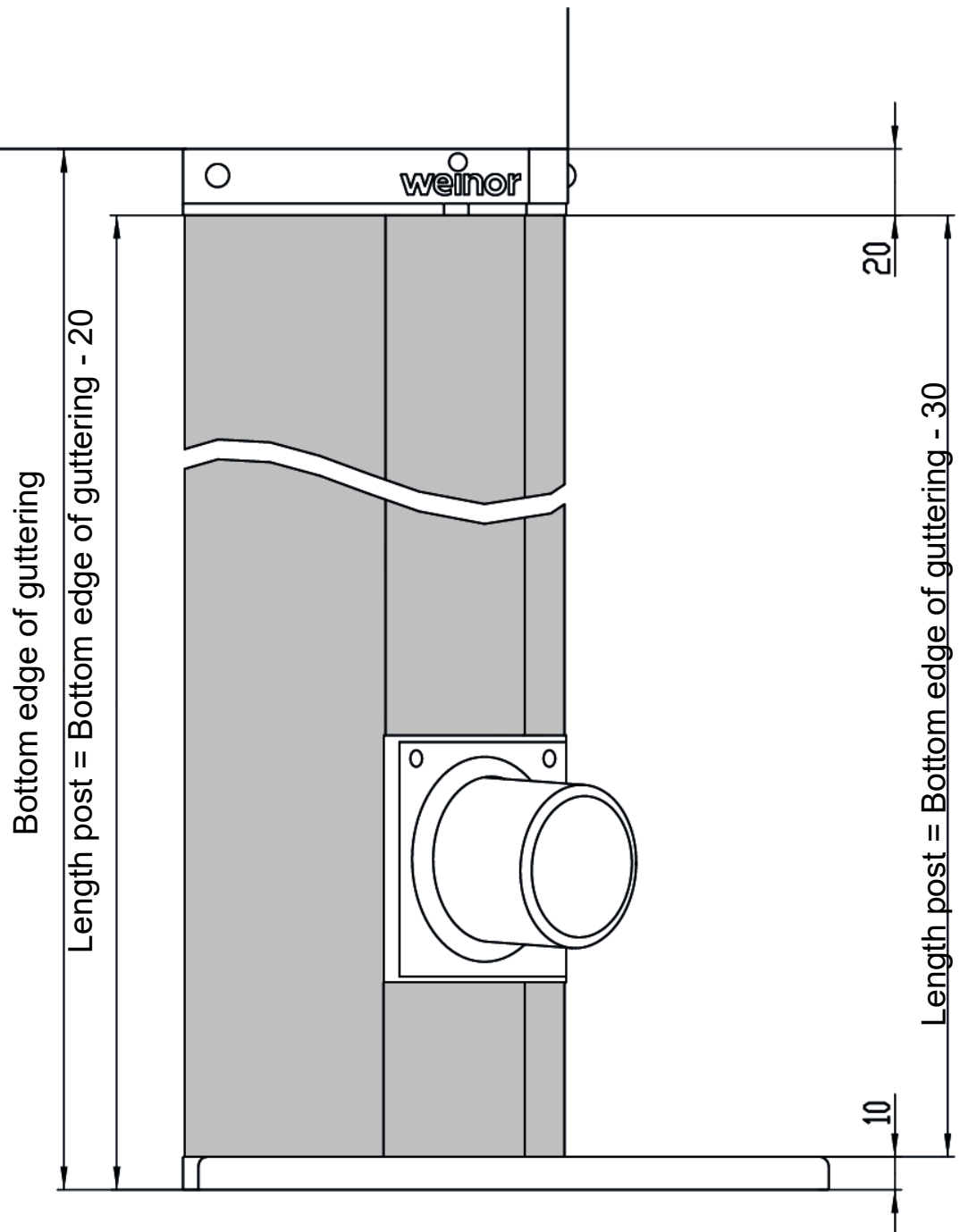


Fig. 4: Determining the length of posts

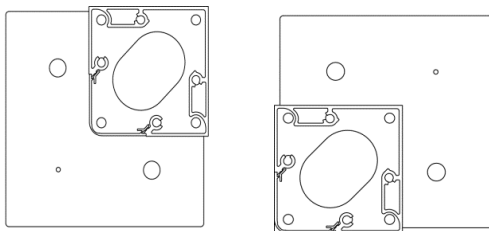
5.2.2 Standard configuration: mounting post with post plate



- Different post plates are available for the weinor PergoTex II: "Post plate large outside post", "Post plate small outside post", "post plate large centre post/ wall" and "post plate small centre post/ wall". In this document, only the "post plate large outside post" is demonstrated as standard configuration.
- The attachment screws for the post plates are self-tapping countersunk screws 6.3x50 Torx. The attachment screws need only be greased before they are screwed in.

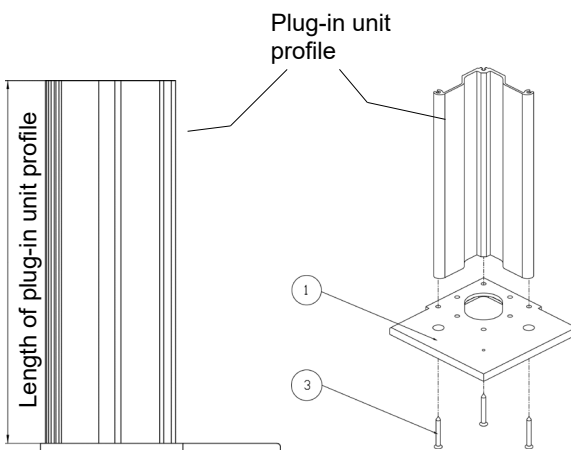
1. Bolting outside post with post plate

1. Position "post plate large outside post" **(1)** on the "outside post" **(2)** and bolt with 4 self-tapping countersunk hex head screws 6.3x50 Torx **(3)**.
2. There is also the possibility to turn the "post plate large outside post" **(1)** if the structural conditions allow:

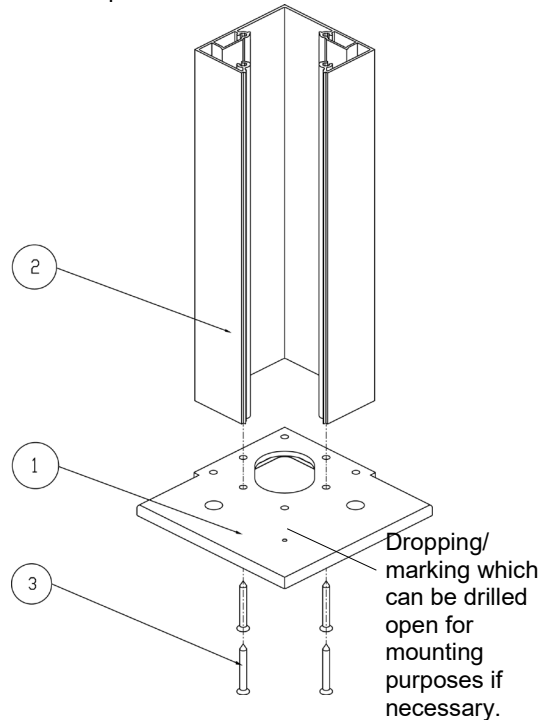


Note:

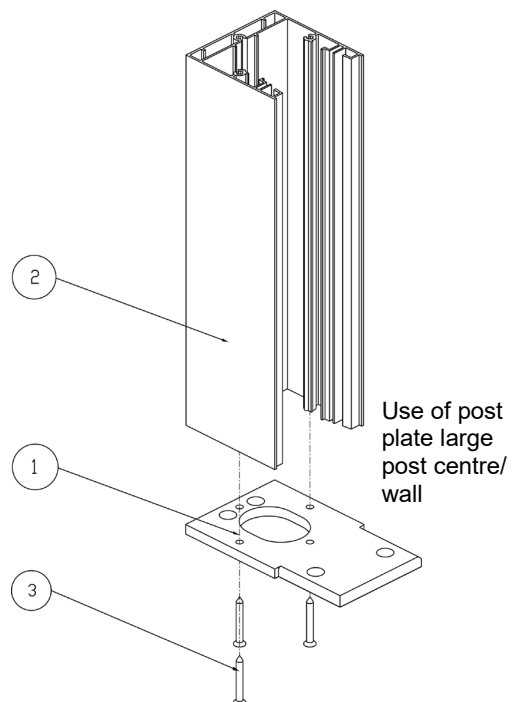
"Outside posts" **(2)** can have a plug-in unit profile. If available, this will be bolted initially to the corresponding post plate **(1)** with 3 self-tapping countersunk hex head screws 6.3 x 50 Torx **(3)**. If necessary, the plug-in unit profile can be sawed to the required length.



Outside post



Centre post / wall

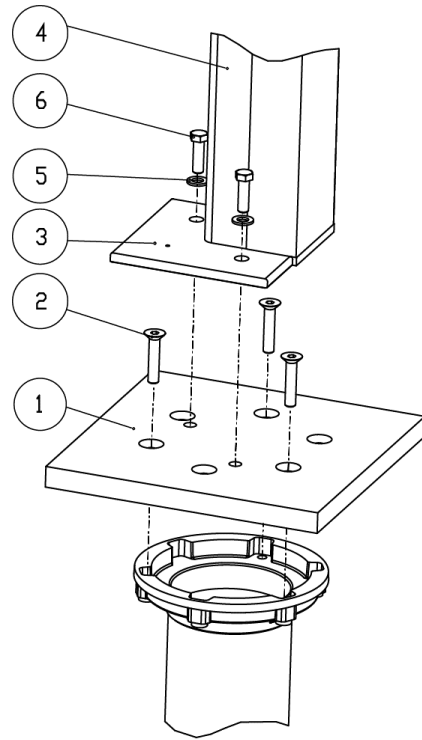


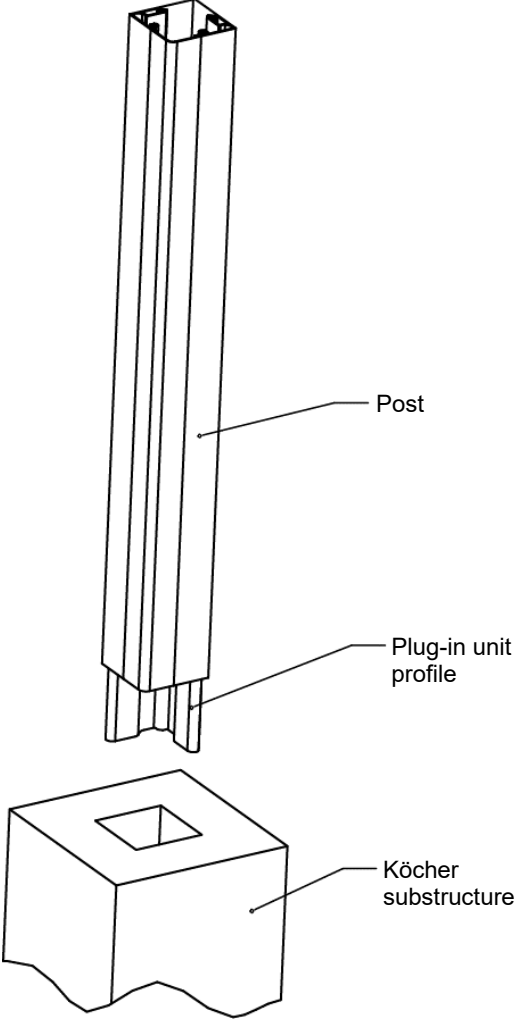
2. Installation of post plate with post to the screw foundation

Note:

Note: The Krinner company will install the screw foundation system.

1. Screw adaptor plate **(1)** to the screw foundation with three countersunk hex head screws M12x60 **(2)**.
2. Tapped holes for two hex socket head screws M12x40 **(6)** in the adaptor plate **(1)** depending on the structural situation.
3. Screw the post plate **(3)** with post **(4)** with two washers 13 **(5)** and two hex socket head screws M12x40 **(6)** to the adaptor plate **(1)**.



5.2.3 Option: Setting posts in concrete		
<p>1.</p>	<p>Cust post to required length</p> <ul style="list-style-type: none"> • Saw posts to length if required. Take depth of concrete encasing into account. 	 <p>The diagram illustrates the components for setting posts in concrete. It shows a vertical 'Post' with a hexagonal top. Below the post is a 'Plug-in unit profile' which fits into the bottom of the post. At the base is a 'Köcher substructure', a square block with a central square hole. Labels with leader lines identify each component.</p>
<p>2.</p>	<p>Machining posts</p> <p>Note: The posts will need to be machined on site to ensure that they cannot be removed from the foundations.</p> <p>There are different possibilities to do this, which can also be combined:</p> <ul style="list-style-type: none"> • Self tapping countersunk hex head screws M8x40 Torx are screwed into the screws channels at the bottom of the post. • Screw the screws sideways into the posts and drill posts sideways several times (at least 13 mm in diameter to allow the concrete to flow into the posts). • When the plug-in unit profile has been inserted, it will be fixed from the inside, together with the post, using self-tapping screws. 	
<p>3.</p>	<p>Apply the corrosion protection</p> <ul style="list-style-type: none"> • Before inserting the posts into the foundations, they will need to be treated with an anti-corrosion coating. • Protective coatings containing chromates or silicate are suitable for this purpose, but adhesive bitumen paint also works. 	
<p>4.</p>	<p>Setting the posts</p> <ul style="list-style-type: none"> • Insert the posts into the holes in the foundations; do not set the posts in concrete at this point but simply secure them so that they can be aligned during the installation. 	
<p>5.</p>	<p>Note: Only when the weinor PergoTex II has been completely installed and aligned can the posts be set in concrete in the foundations.</p>	

5.2.4 Installation of post and guttering



The "post-to-guttering connection plate" is inserted in the lower chamber of the guttering. This is always seated at the position where the post will be mounted.

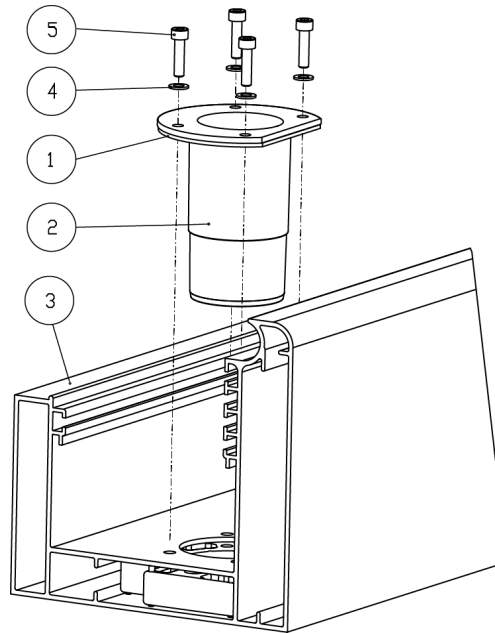
1.

Installation of drainage outlet

CAUTION:

All adhesive surfaces must be cleaned.

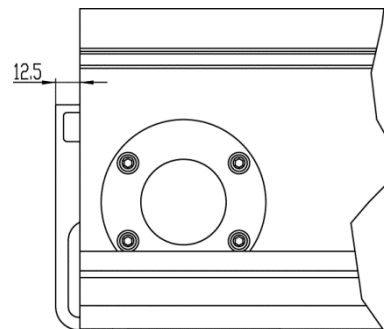
1. Remove contour adhesive seal (1) at the bottom edge of the drainage spout (2).
2. Position drainage spout (2) on the drainage hole of the guttering (3) accordingly and bolt with 4 washers 5.3 (4) and 4 socket head cap screws M5x20 (5).



2.

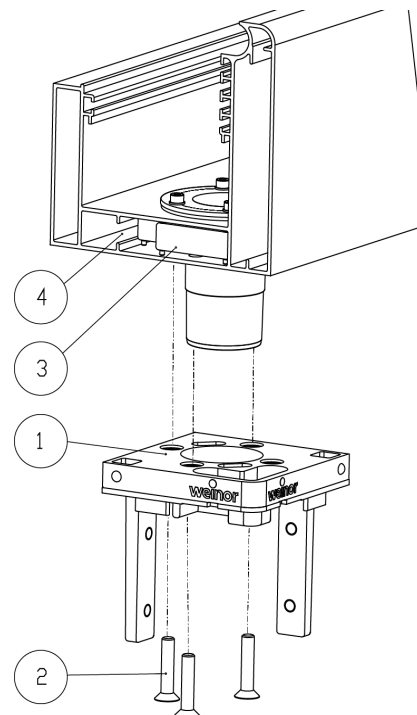
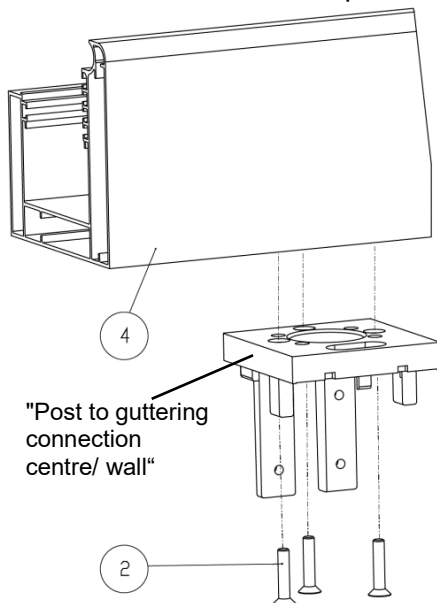
Installation of "post to outside guttering connection" to the guttering

1. Position "post guttering outside connection" (1) in the guttering (4) according to the drilling pattern.
2. Bolt from below with 3 countersunk hex head screws M8x40 (2) so that the "post guttering outside connection" (1) with connector plate (pre-mounted in the guttering) (3) + guttering (4) are joined.



View from above: the "connection post outside guttering" at the outer edge of the guttering projects 12.5 mm over

the "connection post guttering centre/ wall" in constructions with central posts:



<p>3.</p>	<p>Installation of posts to guttering</p> <ol style="list-style-type: none"> 1. Attach post (1) from below to the "post outside guttering connection" (2). 2. Bolt the "post outside guttering connection" (2) to the post (1) with 4 washers 8,4 (3) and 4 socket head cap screws M8x16 (4). 3. Tighten the socket head cap screws M8x16 (4) only slightly. 	
<p>4.</p>	<p>Putting up the posts and guttering</p> <ol style="list-style-type: none"> 1. Put up the post with the mounted guttering. 2. The socket head cap screws M8x16 (4) can now be firmly tightened. <p>Note: According to the weight of the guttering, we recommend using an assembly trestle to lift the guttering. If the guttering is not very wide, it can be assembled with the post lying on its side and then erected.</p>	

5.3 Installation of the side channels

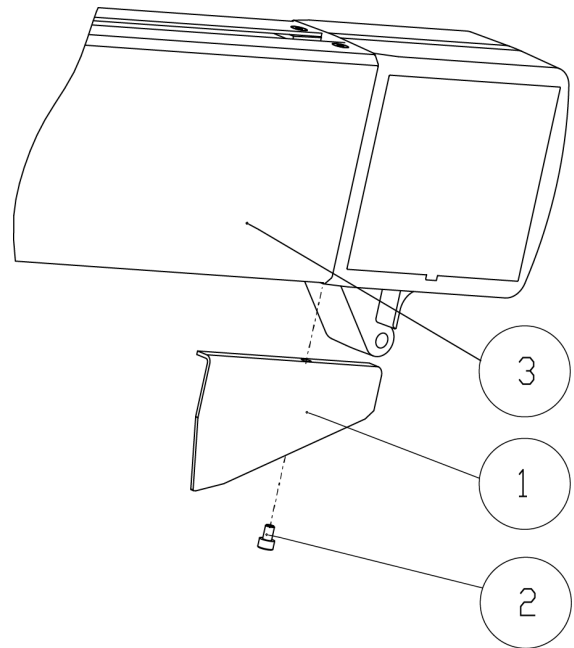


The side channels are only inserted initially. All attachment screws are only loosely tightened as the side channels must still be aligned.

1.

Installation of the "guttering cover plate"

1. Bolt cover plate for guttering" **(1)** to the outside side channel **(3)** with 1 socket head cap screw M5x12 **(2)**.



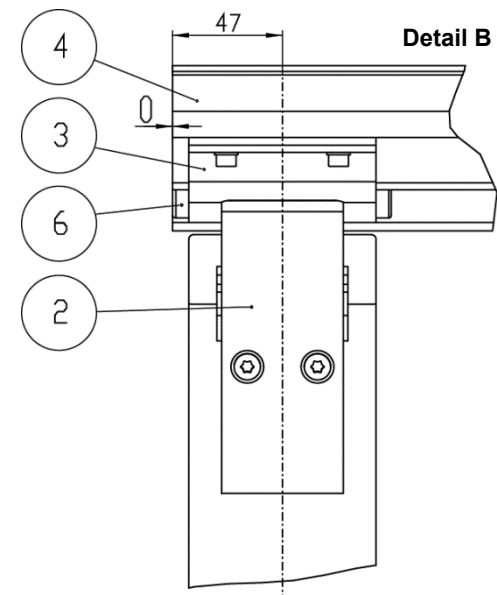
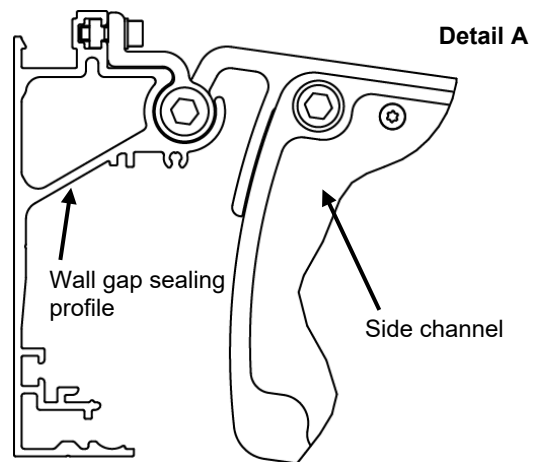
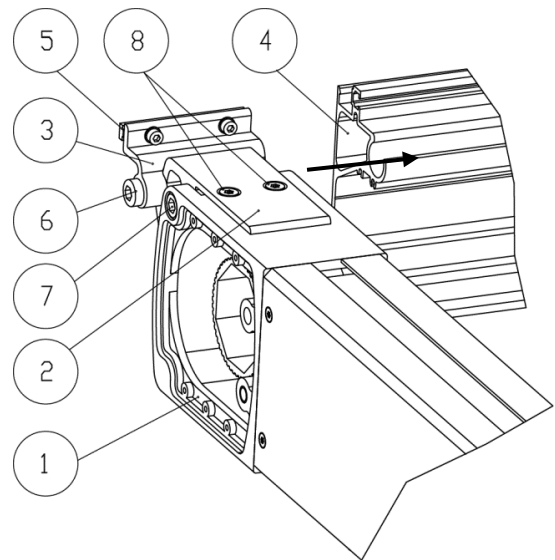
2.a

Attaching the side channel in the wall gap sealing profile

1. Position side channel (1) with the bolted „wall connection bracket" (2) and "wall connection bracket upper part top section" (3) on the wall gap sealing profile (4) as seen in **Detail A**, and push in.

Note:

The outside socket head cap screw M10x30 (6) on the "wall connection bracket" (2) must be flush with the outer edge of the wall gap sealing profile (4) (see **Detail B**).

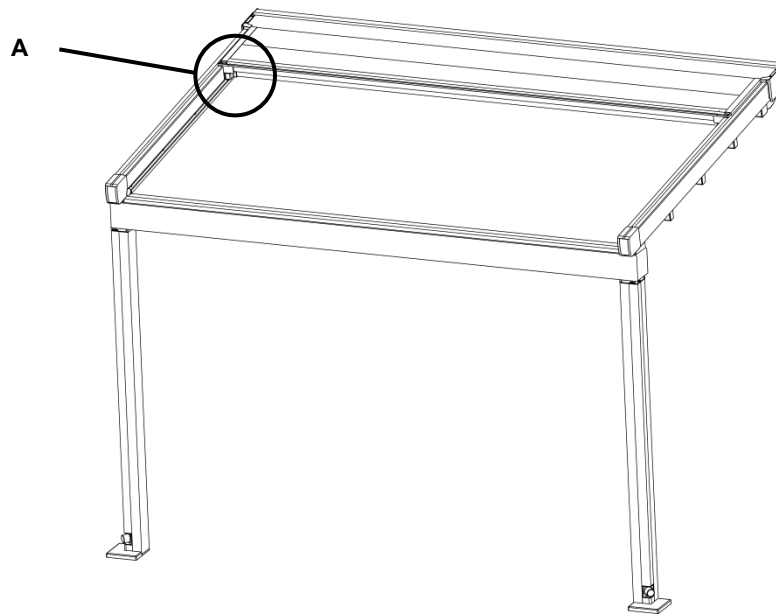


<p>2.b</p>	<p>Alternative:</p> <ol style="list-style-type: none"> 1. With 2 socket head cap screws M10x30 (7) and 2 countersunk hex head screws M6x12 Torx (8), loosen the „wall connection bracket“ (2) and „wall connection bracket upper part top section“ (3) from the side channel (1). 2. Push into the wall gap sealing profile (4) before this is mounted to the wall. 3. Swivel side channel (1) into the "wall connection bracket" (2) and bolt again using 2 socket head cap screws M10x30 (7) and 2 countersunk hex head screws M6x12 Torx (8). <p>Note: This installation is necessary for roofs between two walls, for example, as there is no space sideways to push in the side channel. The same applies to the third side channel in the centre.</p>	
<p>3.</p>	<p>Mounting the side channel to the guttering</p> <ol style="list-style-type: none"> 1. Place side channel (1) with the end cap (2) on the "guttering end cap bracket" (4) bolted in the guttering (3). 2. Bolt from both sides with the 2 socket head cap screws M10x30 (5). <p>Note: The outer edge of the "guttering end cap bracket" (4) must be flush with the outer edge of the guttering (3). Hence the screw head of the socket head cap screw M10x30 (5) is projecting 6.5 mm over the outer edge of the guttering (3) (see Detail A).</p>	

5.4 Installation of the guttering safety shield



The safety shield guttering must be mounted before all other attachment parts or the side channels are bolted.

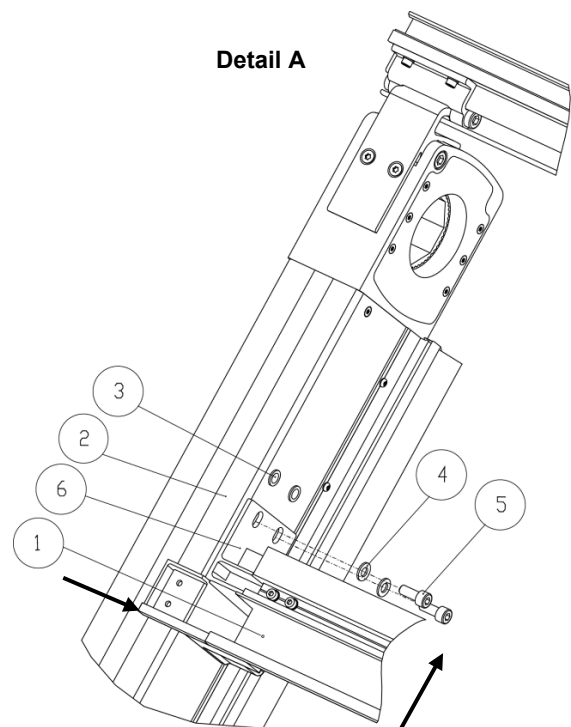


Installation of guttering safety shield

1. Place "guttering safety shield" (1) between the side channels (2) from above and push until you reach the 2 flat head blind-rivet nuts M8 (3) in the side channel (2).
2. Screw the "safety shield guttering" (1) to the side channels (2) with 2 washers 8,4 (4) and 2 socket head cap screws M8x20 (5).
3. Do not tighten the socket head cap screws M8x20 (5) yet.

Note:

Assembly tolerances of the subsequent safety shield profiles can be compensated later by the long slots in the "side channel safety shield connection" (6). Consequently, the socket head cap screws M8x20 (5) are only tightened when the complete safety shield has been mounted.



5.4.1 Alignment of side channels

- Align the side channels so that they are parallel and positioned vertically to the guttering and the wall gap sealing profile. If necessary, shift side channels as shown in fig. 6.

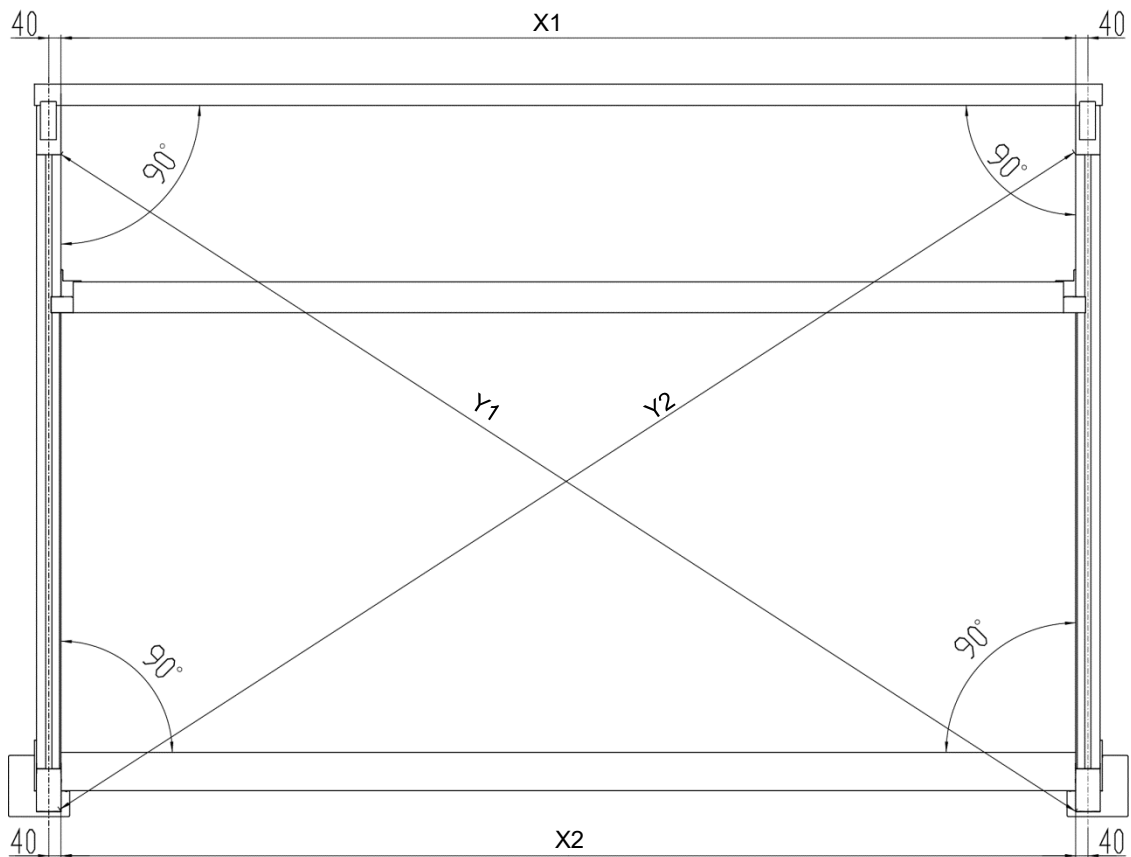
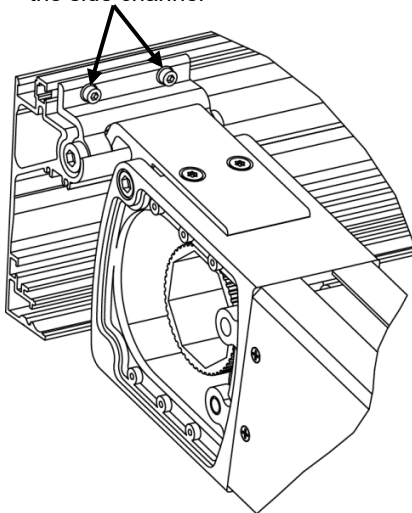


Figure 5: Alignment of weinor PergoTex II

Slightly loosen the socket head cap screws M5x16 on the wall gap sealing profile to be able to slide the side channel



Slightly loosen the socket head cap screws M5x16 on the guttering to be able to slide the side channel

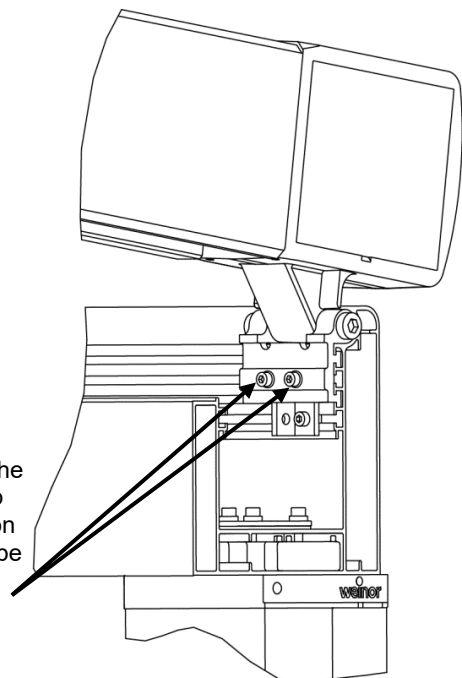
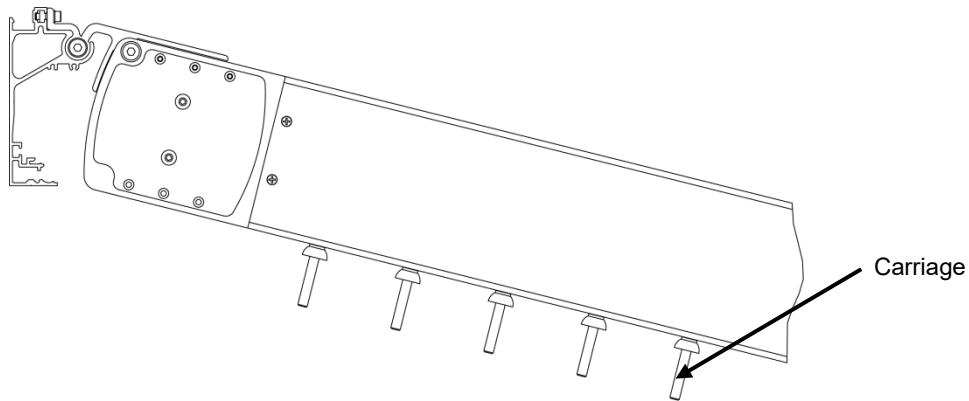


Figure 6: Socket head cap screw M5 to slide the side channel

5.5 Installation of octagonal shaft and drive



The octagonal shaft is delivered fully assembled.
There are holders for the transoms in every side channel. To ensure that the transoms run parallel, these holders must be aligned prior to the insertion of the octagonal shaft. To do this for each side channel, push the bottom carriage (carriage) right to the top in the direction of the wall gap sealing profile.

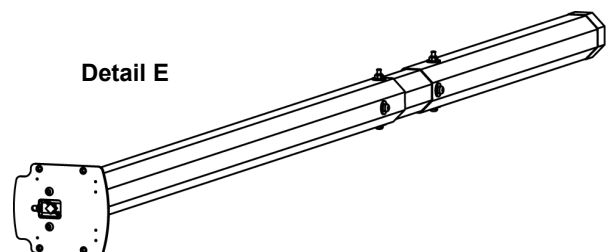
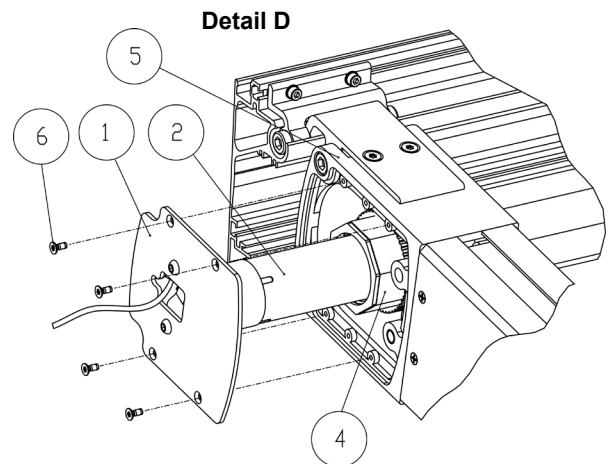
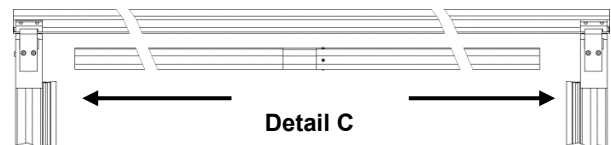
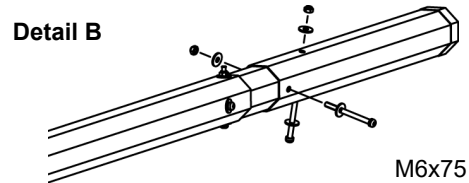
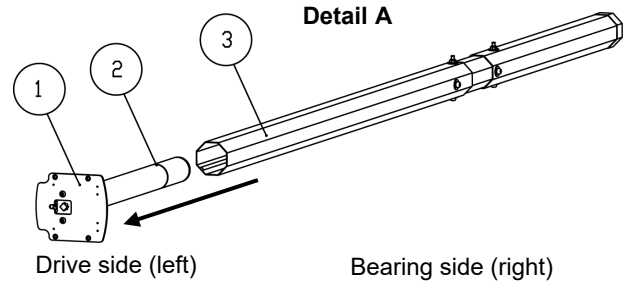


1. Inserting the octagonal shaft

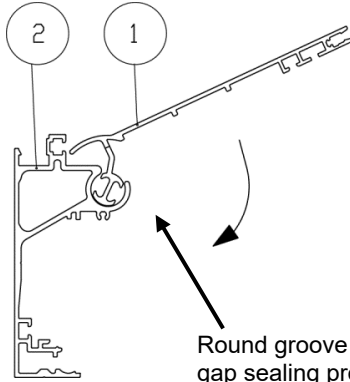
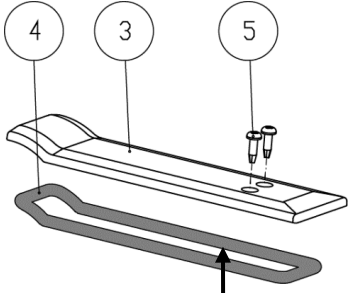
Note:

Pay attention to the side on which the drive must be seated.

1. Pull the "drive side end cap cover" (1) and the drive (2) out of the octagonal shaft (3) (Detail A).
2. Disassemble the octagonal shaft's M6 x 75 screw on the bearing side (Detail B) and push the octagonal shaft together.
3. Pull the octagonal shaft between the support channels apart again and insert into the support channels' left and right drive belt cylinder (4) (Detail C).
4. Push the drive (2) with "drive side end cap cover" (1) from the outside into the "support channel end cap" (5) on the drive side and fix with four M4 x 10 countersunk hex head screws (6) (Detail D).
5. Reassemble the octagonal shaft's screw on the bearing side (Detail E).



5.6 Installation of the safety shield retaining profile

<p>1.</p> <p>Operation of retention profile safety shield</p> <ol style="list-style-type: none"> 1. Position the safety shield retaining profile (1) on the round groove of the wall gap sealing profile (2). 2. The safety shield retaining profile (1) can be tilted downwards by the slewing ring. <p>Note: Align the retaining profile for the safety shield so that it is flush outside the cutting edge of the wall gap sealing profile.</p>	 <p>Round groove on wall gap sealing profile</p>	
<p>Note: If the weinor PergoTex II is equipped with a third side channel in the centre, the retention profile safety shield (1) is delivered in two sections. The surge point is sealed from above with the "retention profile safety shield cover" (3). To do this, the sealing band (4) is first adhered to the bottom side of the "retention profile safety shield cover" (3). Then bolted with drilling screws 3.9x13 Torx (5).</p>		
<p>2.</p>	<p>Installation of suggestion: Installation of the upper part top section of the "wall gap sealing profile"</p> <p>According to the structural conditions and size of construction, the „upper part top section of the wall gap sealing profile" can already be mounted at this point. See Chapter 5.18 Installation of the "upper part top section of the wall gap sealing profile".</p>	

5.7 Sealing beaded profile with gutter

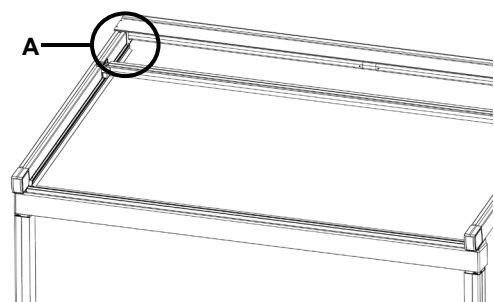
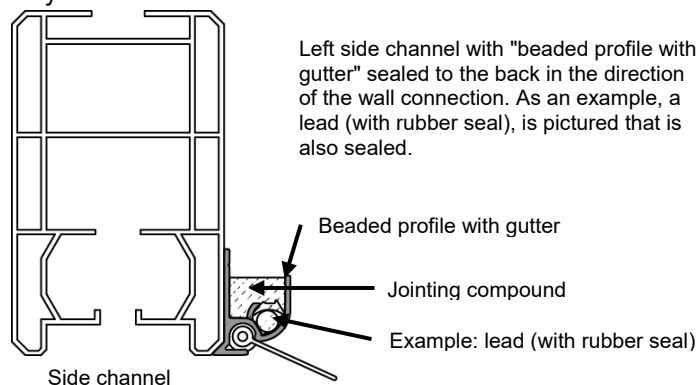


In case of a low roof pitch ($0^\circ - 2^\circ$), rainwater could flow through the "beaded profile with gutter" to the back in the direction of the wall connection and ingress the interior area of the weinor PergoTex II from there.

- The "beaded profile with gutter" should be sealed on site with an appropriate jointing compound to ensure that rainwater cannot flow to the back (**Detail A**).

Note:

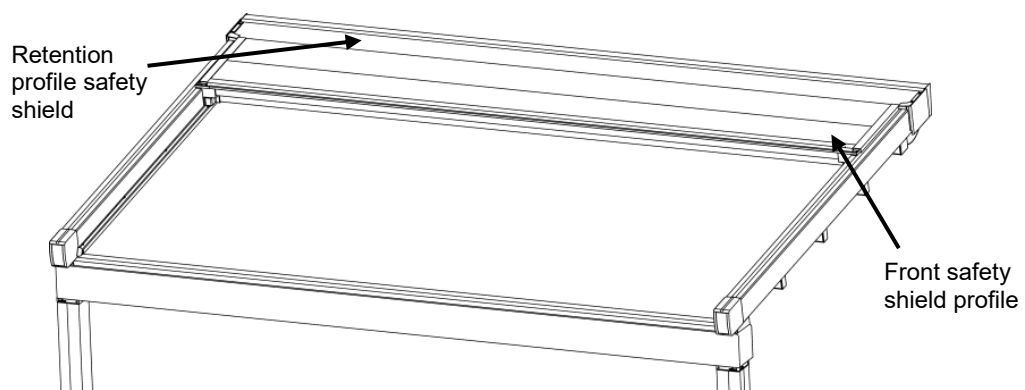
If leads are routed through the "beaded profile with gutter", they will also be sealed.



5.8 Installation of the safety shield support profile



The support profile must be mounted when this is necessary for statical or dimensional requirements for easier installation.



Installation of support profile

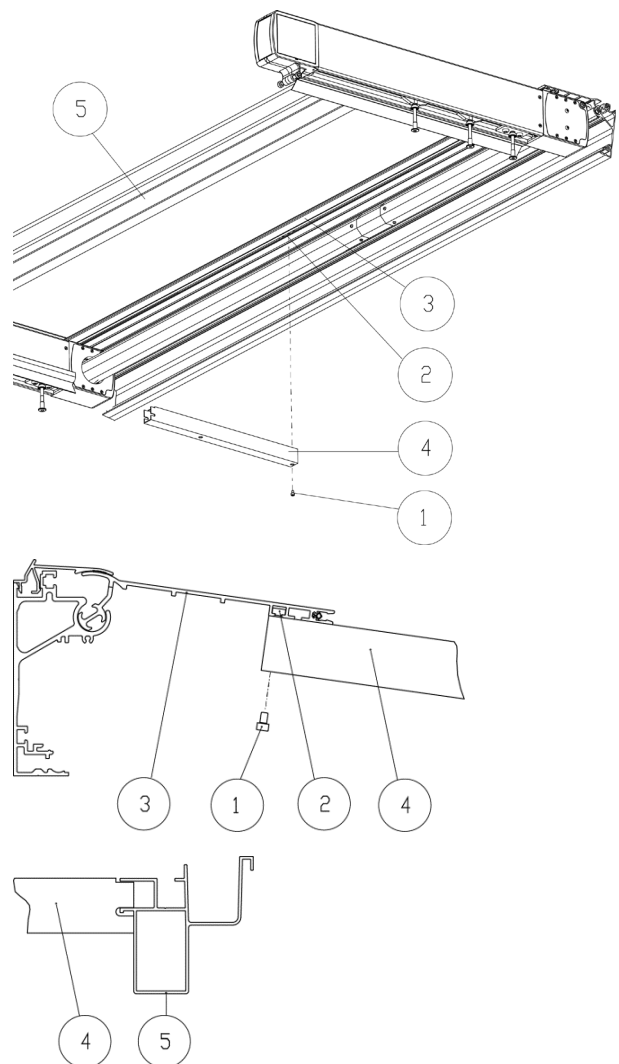
Note:

In the "retaining profile safety shield" and in the front safety shield profile, Fixing sliders 59 mm are already pre-mounted with socket head cap screws M5.

1. Loosen socket head cap screw M5x12 (1) on the pre-mounted fixing slider 59 mm (2) in the "safety shield retaining profile" (3).
2. Insert support profile (4) into the "safety shield guttering" (5) from below and bolt to the "safety shield retaining profile" (3) again with socket head cap screw M5x8.

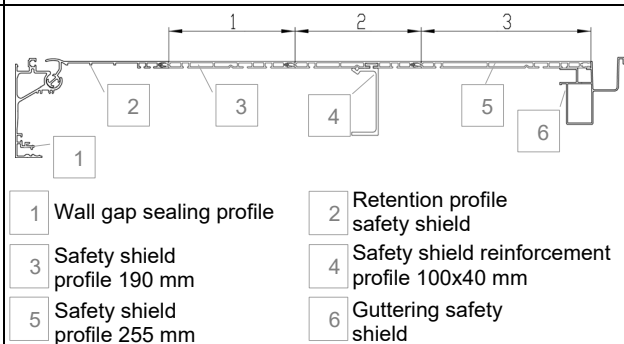
Note:

There is still a second screw in the front safety shield profile. The installation of this bolting is explained in **Chapter 5.9 section 3**.



Note:

When providing reinforcement by using the 100x40 mm safety shield reinforcement profiles, the support profiles do not have to be used. The reinforcements are mounted in the factory in accordance with the specified snow load as well as width and projection. You can find the position of the safety shield profiles with reinforcement on the package insert.



5.9 Installation of the safety shield profiles



The number of safety shield profiles is dependent on the projection.
At least one, maximum five safety shield profiles are possible.

1. Installation of the safety shield profiles

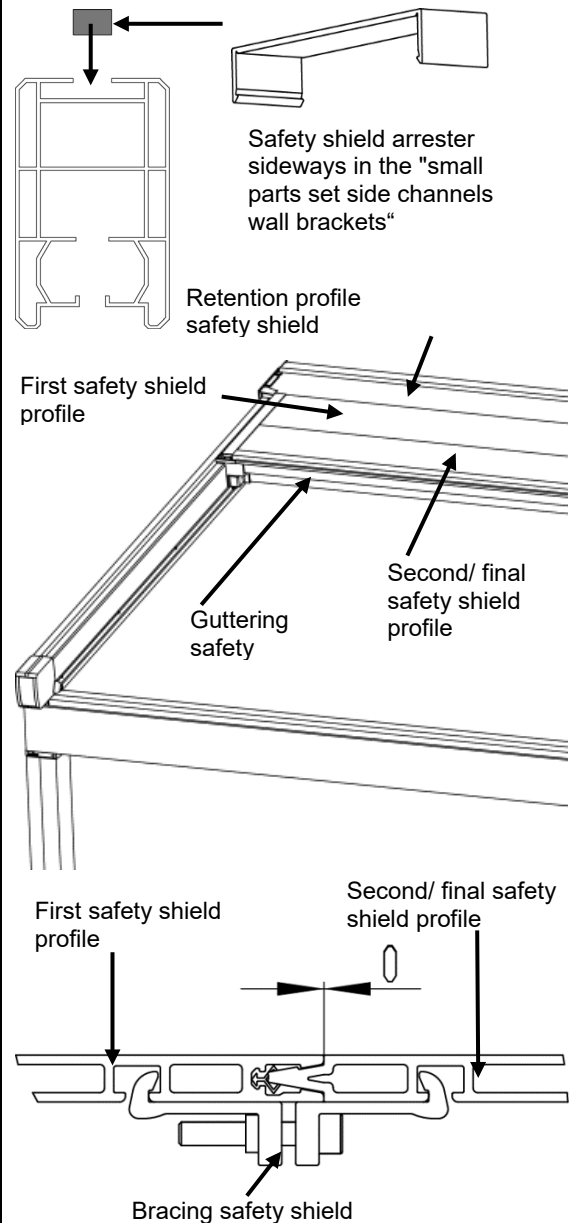
Note:

The "sideways safety shield arrester" included in the "side channel wall bracket" screw set is used for easier alignment of the safety shield profile. A separate mounting instruction sheet is enclosed in the set of screws.

1. Position the first safety shield profile (without fixing slider 59 mm) with the seal in the direction "safety shield guttering" on the side channel and push into the "safety shield retaining profile".
2. Insert the assembled bracing from below and brace the first safety shield profile with the "safety shield retaining profile".
3. If a further safety shield profile (without fixing slider 59 mm) with seal is available, position this likewise on the side channel with the seal in the direction "safety shield guttering", push into the first safety shield profile and brace.
4. Finally the safety shield profile (with fixing slider 59 mm) without a seal is placed on the side channel and the "safety shield guttering".

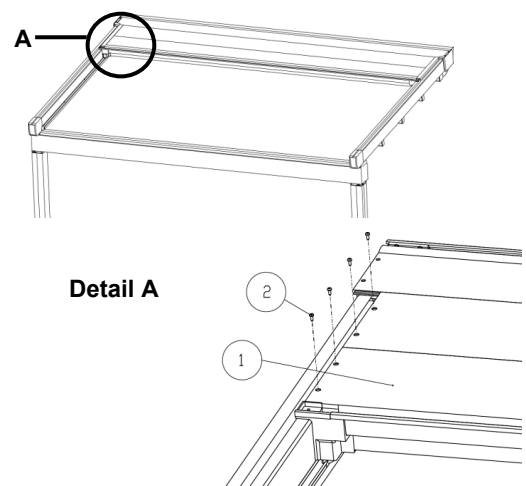
Note:

The "safety shield bracing" should be bolted enough to allow the safety shield profile to meet the surge.



2. Checking and bolting the alignment

1. Check the alignment of all the safety shield profiles.
2. Bolt safety shield (1) sideways with drilling screws 3.9x13 (2). 2 drilling screws 3.9x13 per safety shield profile are screwed sideways into the pre-drilled holes.
3. Bolt the bottom safety shield profile to the "safety shield guttering". According to the width of the unit, screw 1 to 2 drilling screws 3.9x13 into the pre-drilled hole(s).



<p>3.</p>	<p>Support profile</p> <ul style="list-style-type: none"> • If available, bolt support profile to the bottom safety shield profile. • To do this, push fixing slider 59 mm if necessary. • See Chapter 5.8 	
<p>4.</p>	<p>Adhesion of angle brackets 40x20x2 mm to the safety shield</p> <p>Note: The angles 40x20x2 (1) mm seal the drill holes in the safety shield profiles.</p> <p>CAUTION: All adhesive surfaces must be cleaned.</p> <ol style="list-style-type: none"> 1. Adhere angle brackets 40x20x2 mm (1) sideways with the the 40 mm side to the safety shield (one left and one right) using adhesive strips. 2. Adhere one angle bracket 40x20x2 mm forwards with the 40 mm side to the safety shield or the "safety shield guttering" using adhesive strips. 	

5.10 Installation of fabric package with transoms



- Aids for the elevation of the fabric package are required, for example an assembly trestle.
- The fabric package is wound in such a way that the procedure must start with the bottom transom (carriage) on the guttering (**see photo A**). The carriages are moved to the guttering for this purpose.
- Alternatively, the carriages can be left at the top position and the fabric package can be installed from top to bottom.
- Contact surfaces for the fabric package and all aids for elevating the fabric package must be clean so that the fabric will not be soiled.

1.a

Installation of the fabric package with transoms

1. Ascend the carriage until it is just before the guttering (**see photo A**).
2. Unscrew hexagon cap nuts M8 (**1**).
3. Start with the large bottom transom 80x60 mm (**2**) and put this with the bores onto the axles (**3**) of the carriage (**see photo B**).

Note:

The hexagon cap nuts M8 (**1**) can be greased inside to facilitate the bolting.

4. Bolt with hexagon cap nut M8 (**1**) without tightening (**see photo B**).

CAUTION:

Do not overtighten the hexagon cap nut M8 (**1**). A torque of 0.1 – 0.15 Nm is recommended. Over-tightened hexagon cap nuts have an effect on the motion of the transoms. Carriages could be distorted. Consequently, the centre transoms will not travel downwards properly. This will result in intermediate hold-up with uneven shifting of the transoms.

Note:

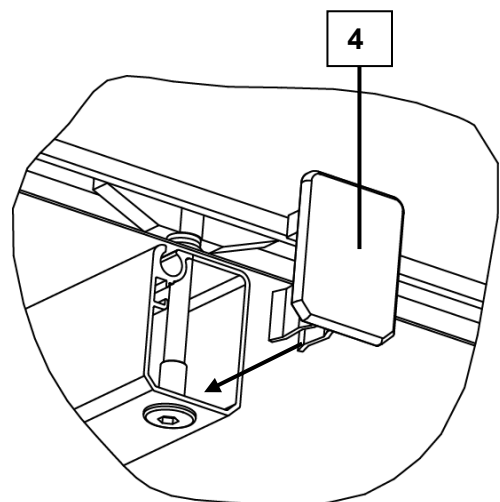
The hexagon cap nut M8 (**1**) is overtightened if the cover caps for the transoms cannot be properly attached in the next step.

5. Repeat these steps until all transoms are connected to the carriage.

Note:

For a centre side channel, the transoms must also be fixed in the centre of the construction.

6. Put "cover caps for transoms" (**4**) on both sides of each of the transoms.



<p>1.b</p>	<p>Alternative installation in case of sideways restriction due to a wall</p> <p>Note: In case of sideways restriction due to a wall, the "cover caps for transoms" must be attached to the transoms prior to the installation of the fabric package.</p> <ul style="list-style-type: none"> Hexagon cap nut (1) pushed through the lower bore of the transom and the "cover cap for transom" (4) attached from the side. 	
<p>1.c</p>	<p>Installation of the fabric package with LED transoms</p> <ol style="list-style-type: none"> Unscrew the hexagon cap nuts on the corresponding carriage and remove the 13 x 1.5 x 58 sleeve. Plug in the LED transom Plug the 13 x 1.5 x 58 sleeve through the LED transom's bottom hole onto the carriage's axis (1). Remount the hexagon cap nut like the previous staves (2). Then the cover cap can be mounted (3). <p>With the LED transom make sure that the leads inside the transom are drilled to a soft eye on the end cap. Furthermore, make sure that the rubber grommet above the transom (lead entry into transom) is turned outwards. If this is not the case water may accumulate inside the transom.</p>	

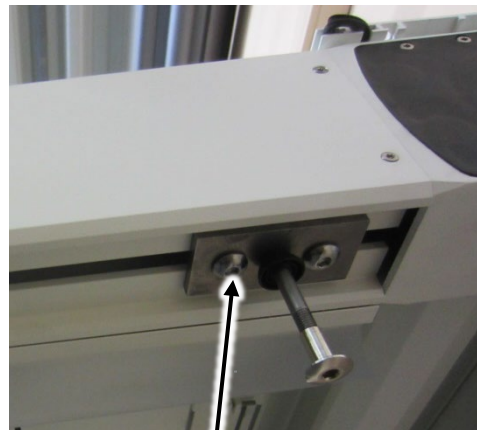
2. Alignment of the fabric

Note:

If, as a result of the permissible stretching, the fabric is not parallel to the guttering or does not drain rainwater to the guttering reliably, it can be adjusted by shifting the transom fixation.

The fabric position can be adjusted as shown below:

1. Loosen screws M10x16 (4) on the transom fixation.
2. Shift transom fixation (see fig. 7).
3. Tighten screws M10x16 (4) once again.



4

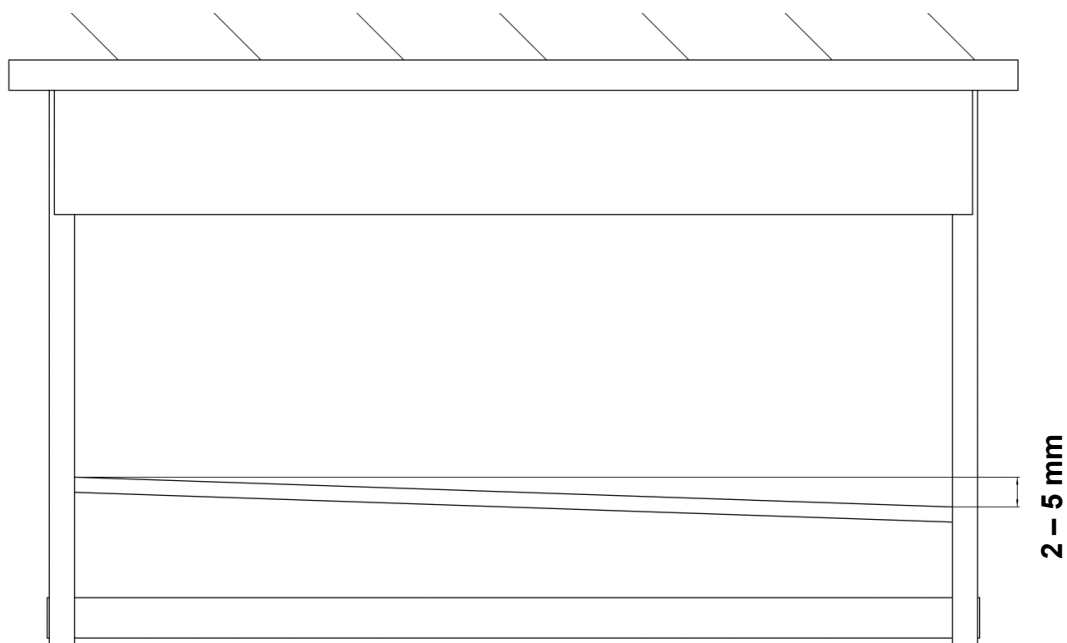
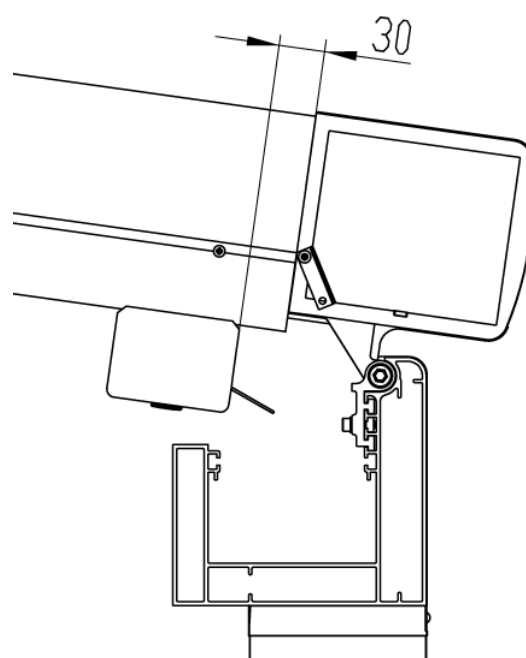
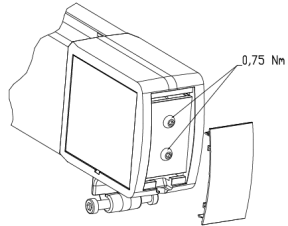


Figure 7: Alignment of the fabric



The 80x60 mm extending transom should be set at a distance of 30 mm from the end of the side channel. This allows rainwater to drain properly into the gutter.



5.11 Functional check	
5.11.1 safety instructions	
! DANGER	
Physical injury	
Performing functional checks is not without its risks. The following steps must be taken:	
<ul style="list-style-type: none"> ▶ When ascending the weinor PergoTex II for the first time, its working range and the area below it must be kept clear. ▶ A visual inspection of the fixing material and brackets must be performed after the weinor PergoTex II has been ascended for the first time. ▶ When carrying out test runs, never use automatic system controls or commutators if the weinor PergoTex II is not in the operator's line of vision (danger of unintentional start-up). ▶ We recommend that you connect a test lead to the motor input. The installation and setting instructions supplied by the manufacturer of the drive, commutators and controls must be observed. ▶ Check the direction of rotation on the motor if connecting to automatic system control (e.g. the weinor PergoTex II must retract in windy conditions). ▶ With the weinor PergoTex II, it is especially important to set the drive during running-in with point limiter approx. 2 cm before the end position and during ascending with torque limiter. 	
5.11.2 Checking the functions of the construction	
i	The drive switch-on time has been designed for 4 minutes. If this time is exceeded, the internal thermo protector will switch off the drive. Depending on the outside temperature, the drive can be operated again after 10 – 15 minutes.
	<p>Ascend and retract the weinor PergoTex II once. Connect the motor cable to the electric conductor of the test run cable.</p> <p>As you do this, check the following:</p> <ul style="list-style-type: none"> • The screws' torque (must be 0.75 Nm) in every front end cap (see figure) • The position of the awning when opened and retracted • Switch light on and off
	
5.11.3 Test run	
<ol style="list-style-type: none"> 1. Carry out a test run and pay attention to the transoms, noise disturbance and even movement. 2. Check that all leads are correctly routed and fixed. leads may not be too loose. 	
i	All screws, which have not yet been completed tightened prior to the alignment, should now be tightened.

5.12 Installation of wall sealing gap fabric

Connecting the wall connection fabric to the wall gap sealing profile: with standard and basic up to 18°

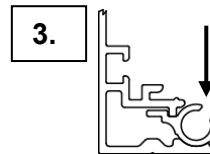
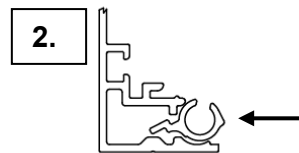
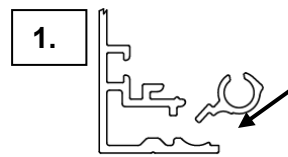
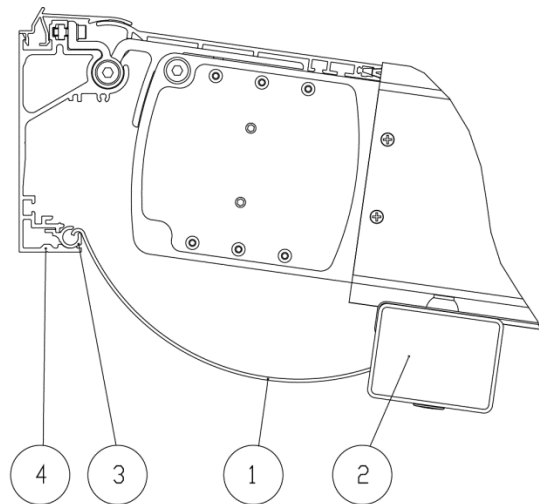
Note:

The wall gap sealing fabric (1) has already been welted at the first transom (2) in the factory. The "wall gap sealing beaded profile" (3) is situated at the free end of the fabric.

1. Turn the "wall bracket beaded profile" (3) slightly until the lug is pointing downwards angled.
2. Insert into the u-shape opening on the wall gap sealing profile (4).
3. Press from above against the "wall connection beaded profile" (3) until it anchors.

Note:

If the wall connection fabric is slightly creased after the installation, check the two clamping plate screws 6x50 at the front of the beaded profile. These should be adequately tensioned. If not, dismount the beaded profile and tighten the chipboard screws 6x50 (not too tight otherwise the beaded profile could bend).

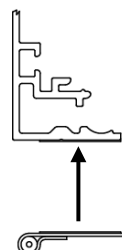
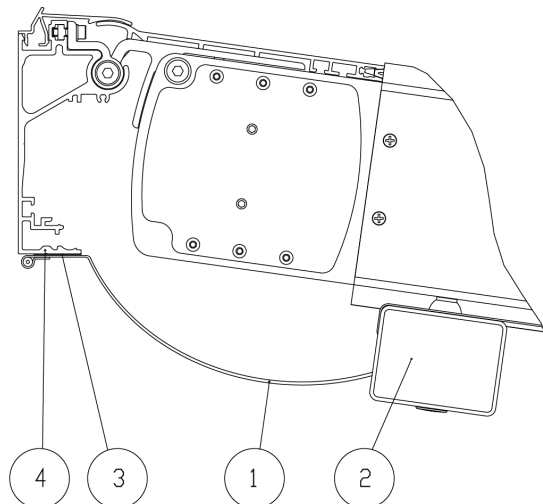


Connecting the wall connection fabric to the wall gap sealing profile: with standard and a pitch of 18° or more

Note:

The wall gap sealing fabric (1) has already been welted at the first transom (2) in the factory. Part of the Velcro connection (3) is located at the other end of the fabric.

- Mount the wall connection fabric with a part of the Velcro fastener connection (3) to the wall gap sealing profile (4) and secure with the other part of the Velcro fastener connection.



5.13 Installation of water drain outside post

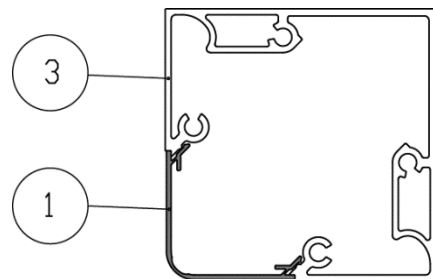
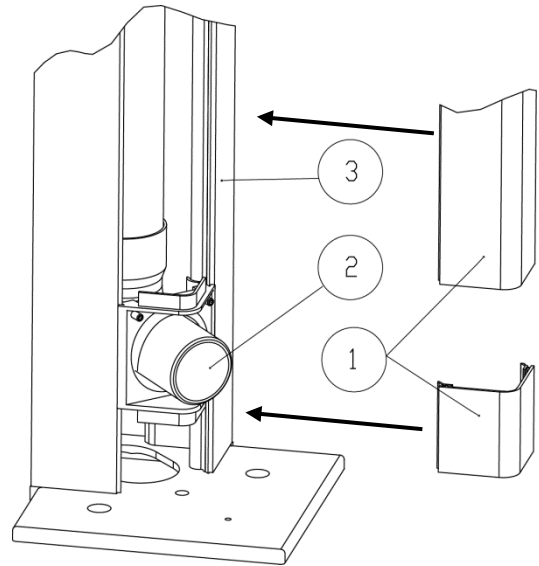
<p>1.</p>	<p>Cut the downspout</p> <p>1. Trim downspout according to the length of posts.</p>	
<p>2.</p>	<p>Installation of the cover pipe bend</p> <p>1. Insert "pipe bend cover" (1) at the corresponding height into the post. 2. Fix with 2 grub screws M5x16 (2).</p>	
<p>3.</p>	<p>Installation of pipe bend and downspout</p> <p>1. Clip the clamps (1) in the post (2) (Detail A). If necessary, the clamp (1) can be slightly bent to prevent it from slipping. 2. Fix pipe bend (3) with seal (4) in the "pipe bend cover" (5). 3. Adhere downspout to drainage outlet (7) and below to the pipe bend (3) using adhesive tape. 4. Insert downspout into the clamp (1) (Detail B).</p>	
<p>2.</p> <p>3.</p> <p>Adhesive point on pipe bend</p>		<p>3.</p> <p>Adhesive point on drain outlet</p>

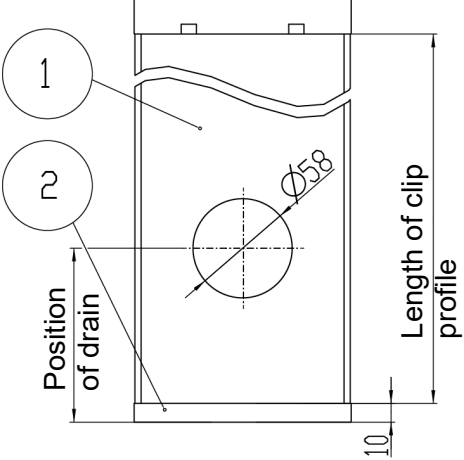
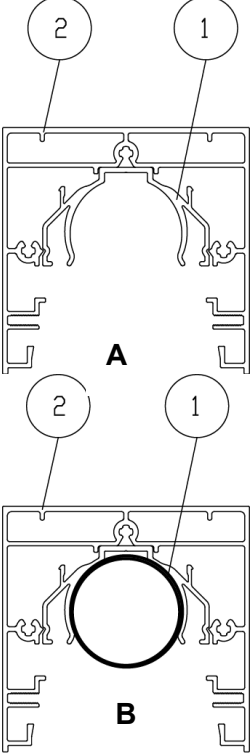
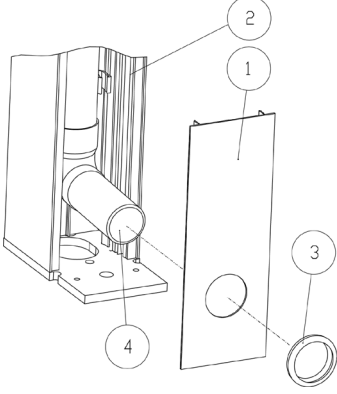
4. Installation of the clip profile

1. Determine length of the clip profile **(1)**.
2. Cut above and below the "pipe bend cover" **(2)**.
3. Insert the trimmed clip profiles **(1)** above and below the "pipe bend cover" **(2)** into the post **(3)**.

Note:

The clip profiles are designed to fit loosely rather than too tightly. If the clip profile is seated too loosely, bend it incrementally until the firm seating of the clip profile is ensured.

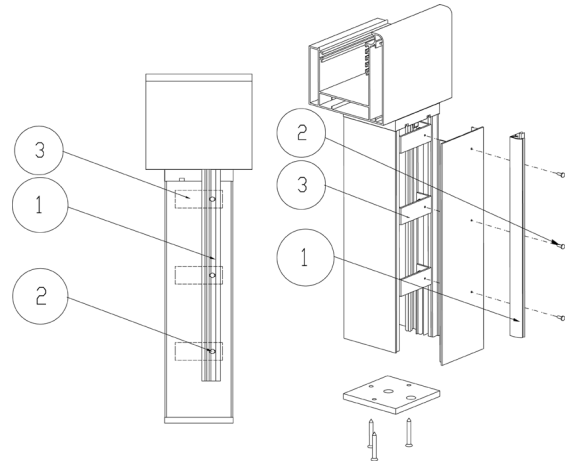


5.14 Installation of the water drain post centre/ wall		
1.	<p>Cut the downspout</p> <p>2. Trim downspout according to the length of posts.</p>	
2.	<p>Provision of "clip profile post centre/ wall"</p> <p>1. Using a $\varnothing 58$ mm lock saw, cut a drainage hole into the "clip profile post centre/ wall" (1). Determine the height from the floor to the centre of the bore and subtract the dimension 10 mm from the post plate (2).</p> <p>2. Determine the length of the "clip profile post centre/ wall" (1) and cut.</p>	
3.	<p>Installation of pipe bend and downspout</p> <p>1. Clip the clamps (1) in the post (2) (Detail A). If necessary, the clamp (1) can be slightly bent to prevent it from slipping.</p> <p>2. Insert downspout into the clamp (1) (Detail B).</p> <p>3. Mount the downspout at the top of the post to drainage outlet using adhesive tape (compare with Chapter 5.12 section 3).</p> <p>4. Push pipe bend below in the post onto the downspout and stick with adhesive tape (compare with 5.13 section 3).</p>	
4.	<p>Installation of the "clip profile post centre/ wall"</p> <p>1. Clip the prepared "clip profile post centre/ wall" (1) onto the post (2).</p> <p>2. Attach seal (3) to pipe bend (4) or insert into the drainage bore of the clip profile.</p>	

5.15 (optional) Installation of VertiTex guide rails on posts

Installing the VertiTex guide rails on posts

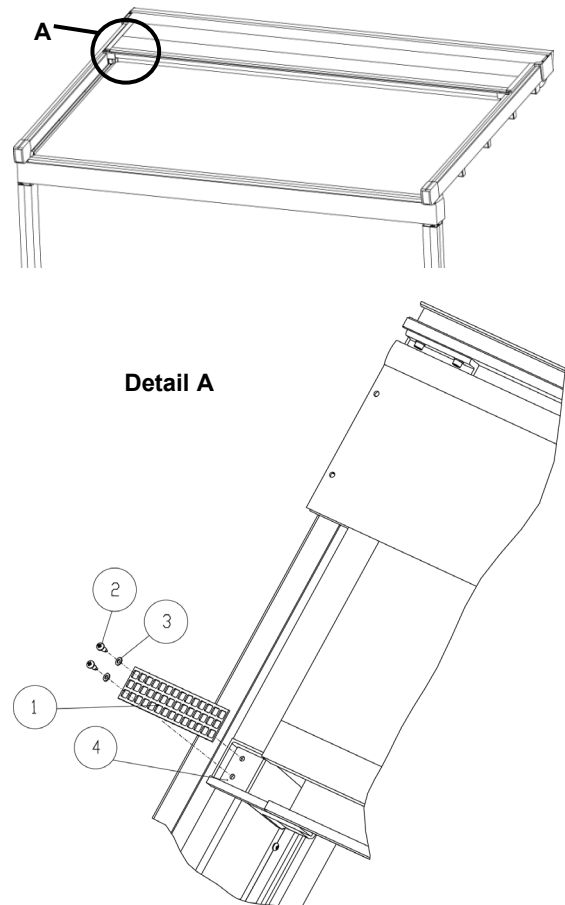
3. If a VertiTex with guide rails is to be installed on the centre/wall post please make sure that the fixings (2) for the VertiTex guide rails (1) are also screwed into the U-Profiles located in the post (3). Adjust the positions of the U-Profiles on site, if necessary.



5.16 Installation of the protective leaf grille in the safety shield guttering

Installation of the protective leaf grille safety shield guttering

4. Screw the protective leaf grille (1), included in the delivery, into the safety shield guttering (4) with 2 self tapping screws 3.9x13 (2) and 2 washers 4.3 (3).



5.17 Installation of the "guttering cover cap"

1. Installation of the "guttering cover cap"

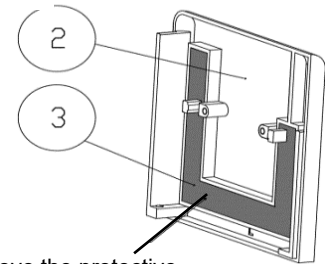
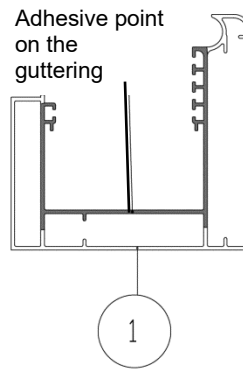
Note:

Clean the adhesive points on the guttering (1). When positioning, ensure that the "guttering cover cap" (2) is properly seated. The contour sealing compound (3) must touch the guttering (1).

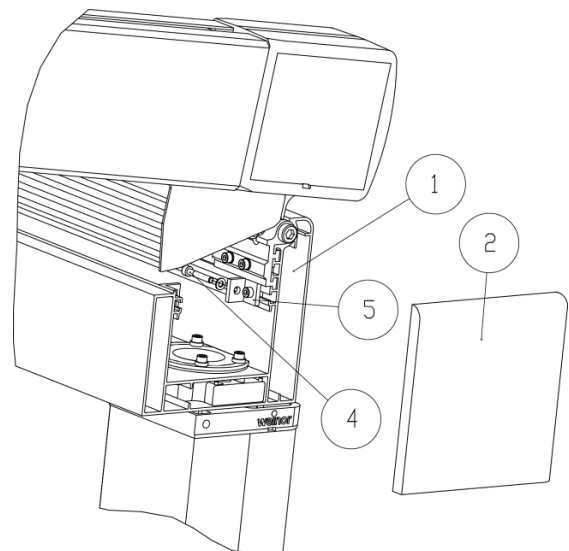
1. Remove the protective film of the contour sealing compound (3) on the "guttering cover cap" (2).
2. Place the "guttering cover cap" (2) on the guttering (1) and from the inside bolt with the 2 socket head cap screws M5x30 (4) through the angle bracket 20x20x4 mm (5).

Note:

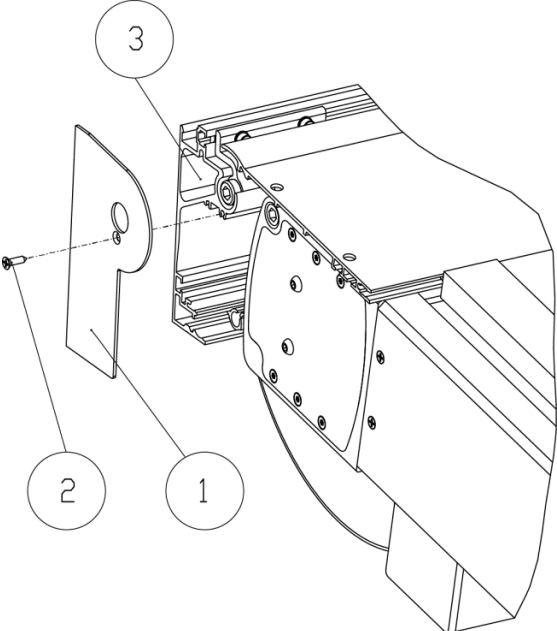
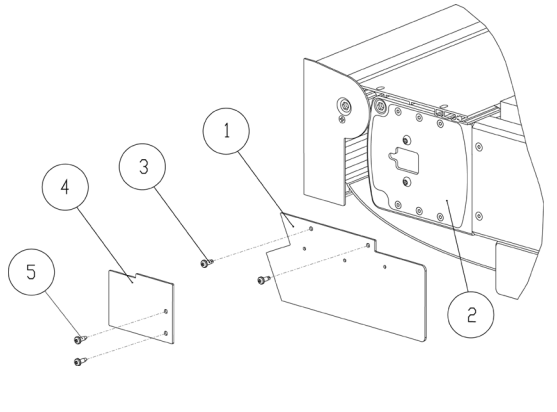
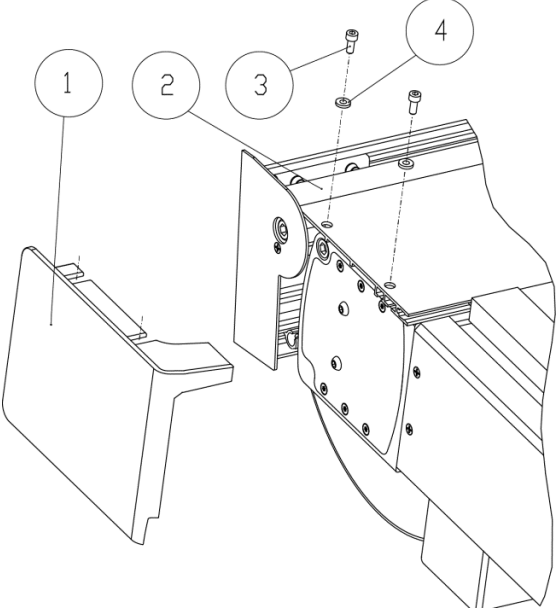
If attachment products e.g. a Vertitex are mounted to the guttering, we recommend that the guttering cover cap is mounted after the installation of the attachment products. This facilitates the lead routing for the Vertitex through the chambers of the guttering for example.



Remove the protective film of the contour sealing compound

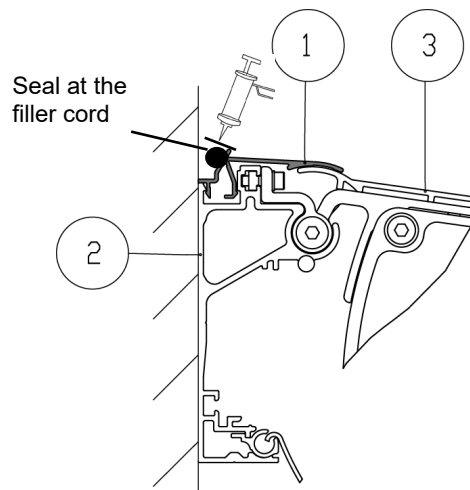


5.18 Installation of the "wall cap sealing profile cover plate" and " wall gap sealing profile cover cap"

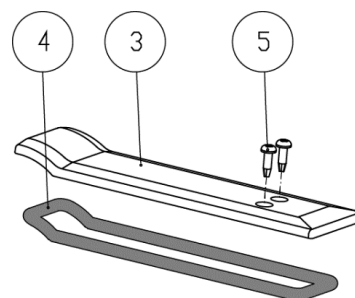
<p>1.</p>	<p>Installation of the "wall gap sealing profile cover plate"</p> <p>1. Bolt the "wall gap sealing profile cover plate" (1) to the wall gap sealing profile (3) with a countersunk self-tapping screw 4.2x9.5 (2).</p> <p>Note: If the power supply runs sideways into the wall gap sealing profile, a "wall gap sealing profile cover plate" with the corresponding recess will be included in the delivery.</p>	
<p>i</p>	<p>Fitting the optional "rain guard"</p> <p>1. Hold the "rain guard" (1) up against the end caps cover (2) and screw on using 4.2 x 13 drilling screws (3).</p> <p>2. Hold the wall rain guard (4) up against the rain guard (1) and mount using 4.2 x 13 drilling screws (5).</p> <p>Note: The rain guard is installed to protect against sideways water ingress and can be ordered as an option. Please note the enclosed supplement on fitting the "rain guard".</p>	
<p>2.</p>	<p>Installation of the "wall gap sealing profile cover cap"</p> <p>1. Plug the "wall gap sealing profile cover cap" (1) with its stud into the groove of the "safety shield retaining profile" (2) and bolt from above with 2 socket head cap screws M5x10 (3) and 2 washers 5.3 (4).</p>	

5.19 Installation of the "wall gap sealing profile top section"

- 1.** Installation of the the "wall gap sealing profile upper part top section"
1. Remove protective film from adhesive tape on the "wall gap sealing profile upper part top section" (1).
 2. Place the "wall gap sealing profile upper part top section" (1) from the top onto the wall gap sealing profile (2) or the "safety shield retaining profile" (3) and clip into place.
- Note:**
In event of blocking, you can also drive in the "wall gap sealing profile upper part top section" (1) using a rubber hammer.
3. Seal to the house wall.



- 2.** **Note:**
If the weinor PergoTex II is equipped with a third side channel in the centre, the retention profile safety shield (1) is delivered in two sections. The surge point is sealed from above with the "retention profile safety shield cover" (3). To do this, the sealing band (4) is first adhered to the bottom side of the "retention profile safety shield cover" (3). Then bolted with drilling screws 3.9x13 Torx (5).



5.20 Sealing

1. Wall gap sealing profile and "wall gap sealing profile upper part top section" to house wall (see Chapter 5.18).
2. "Safety shield retaining profile cover" in divided "safety shield retaining profile" (see Chapter 5.18).
3. Corner at transition from "side channel safety shield connection" to safety shield profile (see figure below).
4. If the pitch is below 8°, seal the upper chamber of the side channel to the "wall connection cover cap".
5. Seal the top long slots on the "wall gap sealing profile cover caps".

Figure to section 3.:

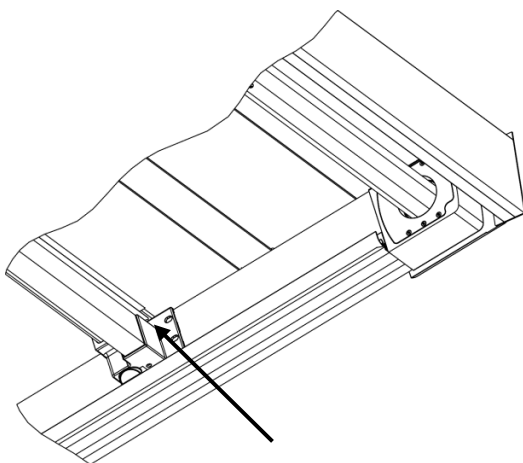
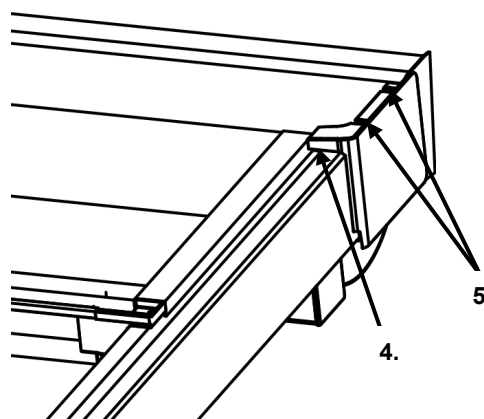


Figure to section 4 and 5.:



6 Multi-section unit

6.1 Coupling wall gap sealing profile

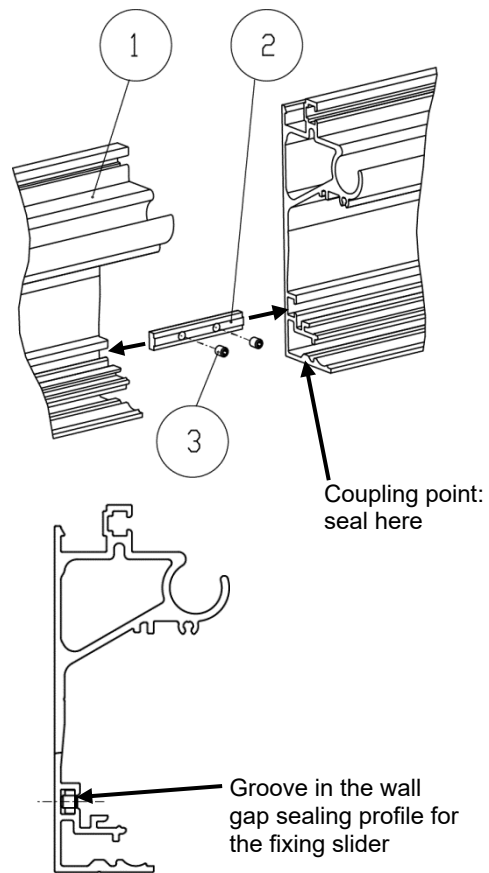
Coupling the wall gap sealing profile

1. The installation of the wall cap sealing profile **(1)** is carried out in accordance with **Chapter 5.1**.
2. Before the wall gap sealing profile **(1)** is bolted to the wall, push the fixing slider 59 mm **(2)** into one of the two profiles.
3. Mount the wall gap sealing profiles **(1)** to the house wall and align to each other.

Note:

The coupling point of the two wall gap sealing profiles must be sealed with an appropriate jointing compound.

4. Push the fixing slider 59 mm **(2)** concentrically over the coupling point of the wall gap sealing profile **(1)** and bolt with 2 grub screws M5x6 **(3)**.



6.2 Gutter coupling



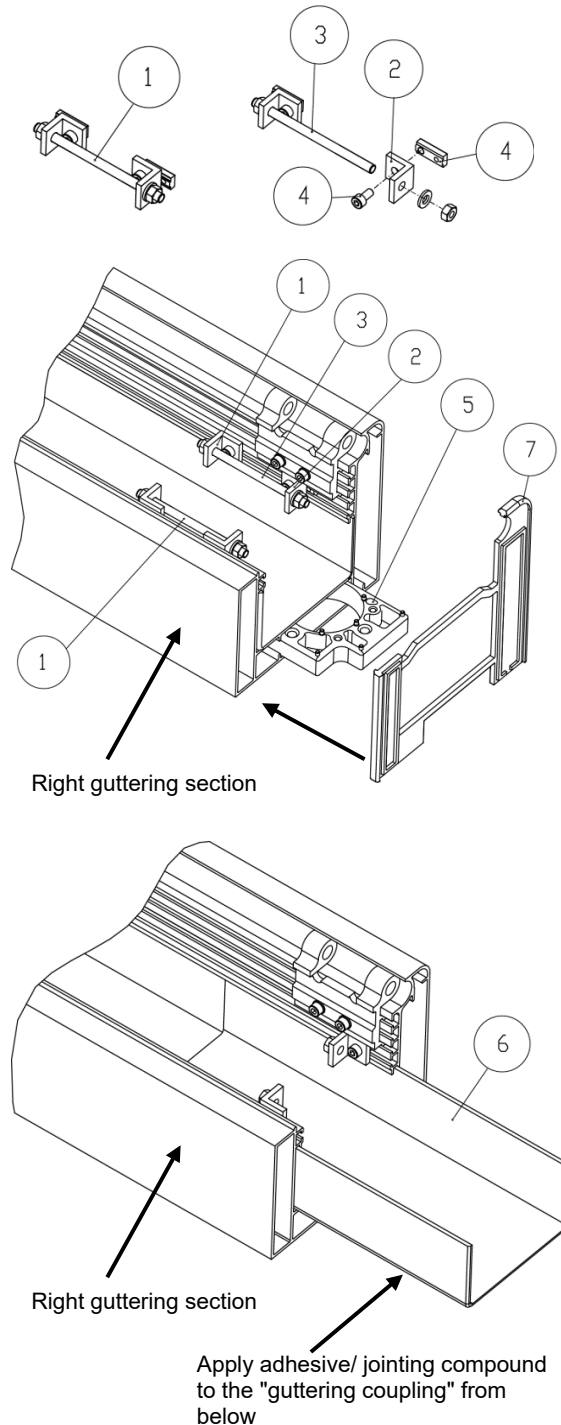
2. An aid such as an assembly trestle is required to elevate the guttering.
3. A post must always be standing under the coupling point.

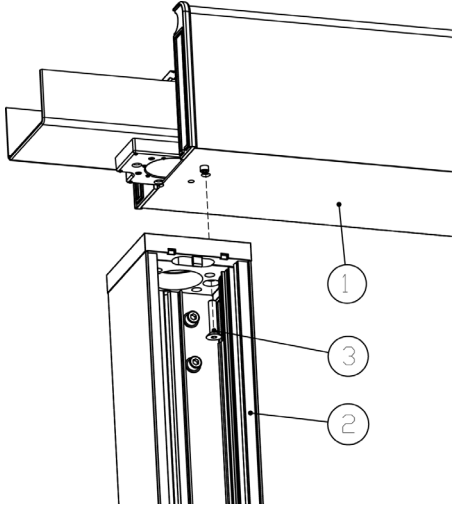
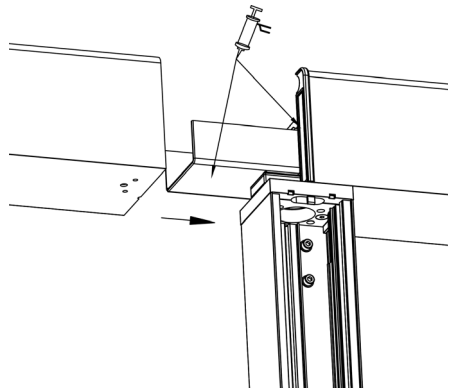
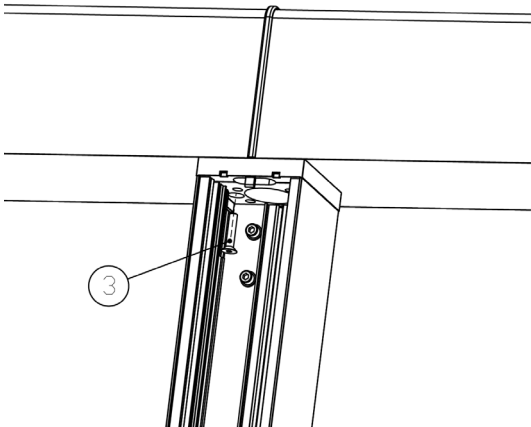
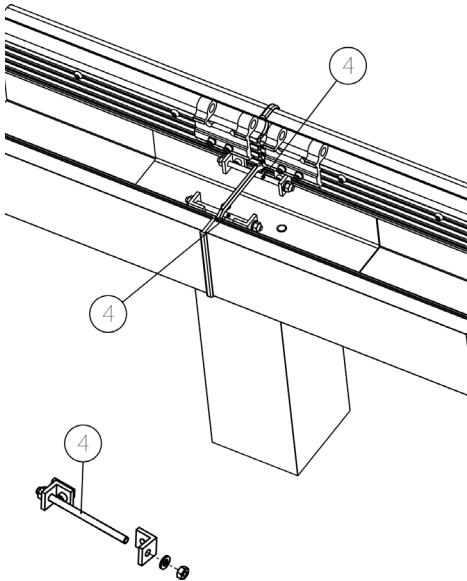
1.
 - **Determining the length of posts, see Chapter 5.2.1**

2. Coupling the guttering

Right guttering section:

1. Lay the guttering and unscrew the bracing in the right part of the guttering (1), by loosening the outside angle bracket 20x20x4 mm (2) with holder (3) and bolting (fixing slider with socket head cap screw M5x10) (4).
2. Push the outside angle bracket 20x20x4 mm (2) of the bracing (1) into the left part of the guttering and secure with the bolting (fixing slider with socket head cap screw M5x10) (4).
3. Connector plate (5) has been pushed into the right guttering section and fixed.
4. "Guttering coupling" (6) has also been pushed into the right guttering section. Must be drawn out.
5. Adhere the gutter connector (7) to the coupling point of the right part of the guttering with a suitable adhesive/ jointing compound.
6. Apply suitable adhesive/ sealing compound around the outside of the "guttering coupling" (6) and push halfway into the right part of the guttering again.
7. Elevate the right part of the guttering to the necessary height using e.g. an adjustable trestle.
8. Attach "outside post" to the right side of the construction from below and bolt (see Chapter 5.2.4).

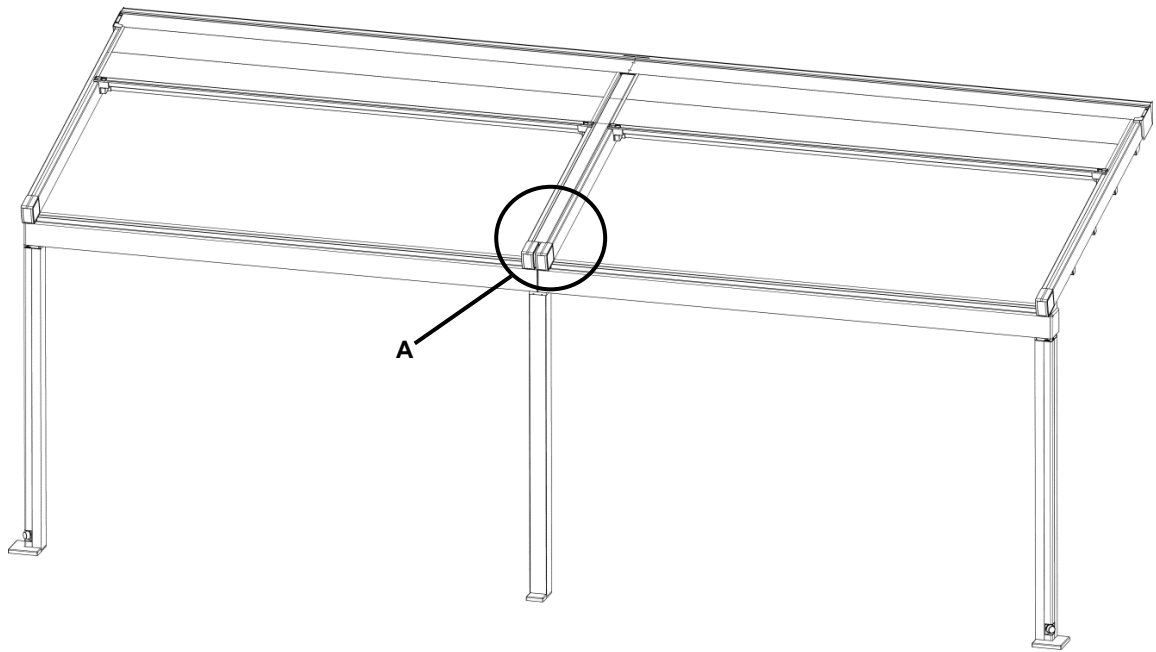


<p>3.</p>	<p>Coupling the guttering</p> <p><u>Left guttering section:</u></p> <ol style="list-style-type: none"> 1. Elevate the right part of the guttering to the necessary height using e.g. an adjustable trestle. 2. Screw the centre / wall post (2) to the right guttering (1) from below with the countersunk hex head screw M8 x 40 (2). 	
	<ol style="list-style-type: none"> 3. Apply a suitable adhesive/ jointing compound to the exposed area of the guttering coupling and the exposed side of the gutter connector. 4. Slide the left guttering on. 	
	<ol style="list-style-type: none"> 5. Press the guttering together. 6. Screw the left guttering to the post from below with the countersunk hex head screw M8 x 40 (3). 7. Press the guttering together. 	
	<ol style="list-style-type: none"> 8. Pull the left and right guttering together with bracings (4). 9. Tighten the two countersunk hex head screws M8 x 40 (3) from below. <p>Note: Secure the guttering and post against falling until the side channels have been mounted.</p>	

6.3 Installation of the side channels for a multi-section unit



Each of the two construction sections has a separate drive or octagonal shaft and a separate fabric package. Only the special features of a multi-section unit are described. All further details can be found in the previous Chapters.

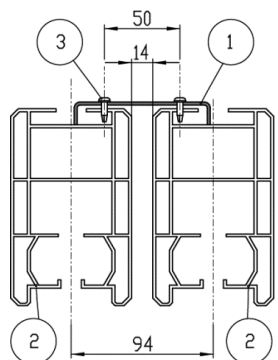
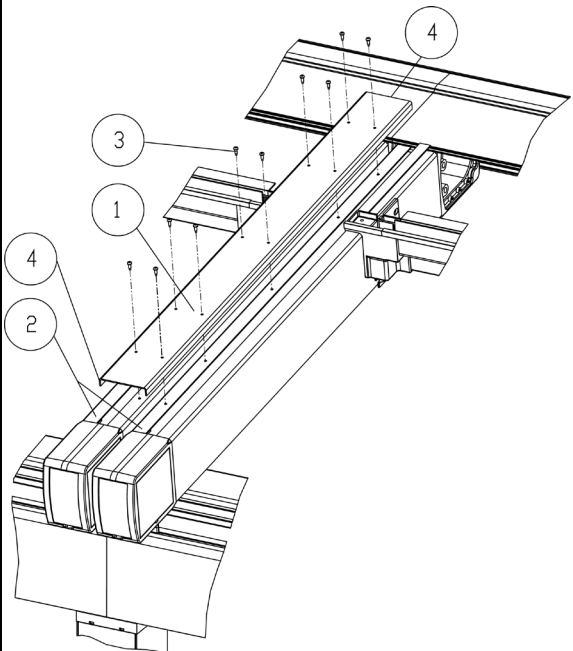


1. Attaching the side channels in the wall gap sealing profile

- Bolt the "end cap covers bearing side" on the insides of the "side channel end caps" in the centre (see Chapter 5.5).
- Mount the side channels as described in Chapter 5.3.

2. Installation of the coupling panel

1. Cut the coupling panel (1) according to the length of the side channels (2).
2. Place on the coupling point or on the two central side channels (2).
3. Bolt with drilling screws 3.9x13 Torx (3).
4. Seal the coupling panel on all ends with adhesive and jointing compound (4). With constructions with a projection of more than 3 m all the other coupling panels must also be sealed accordingly.



6.4 Installation of the "safety shield retaining profile cover"

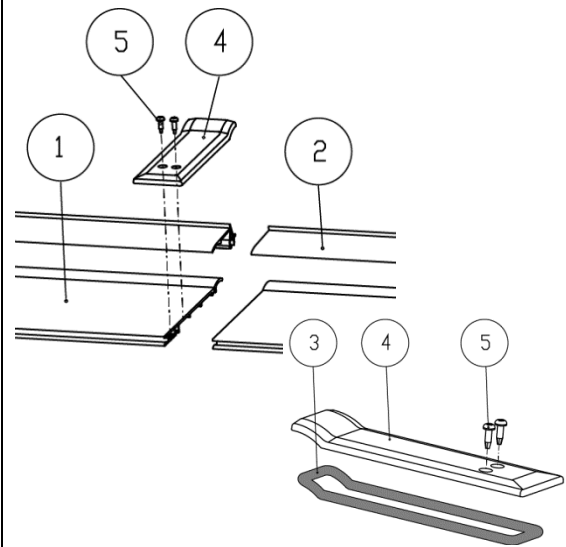


With a multi-section unit, the following profiles are delivered in two sections: "safety shield retaining profile" and "wall connection upper part top section".

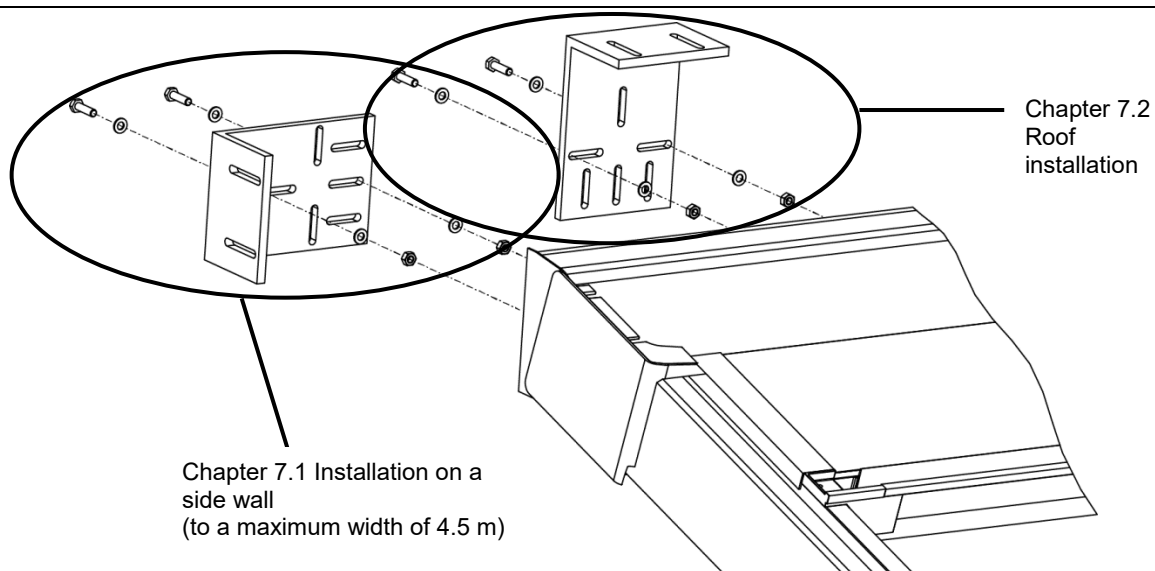
1.

Installation of the "safety shield retaining profile cover"

- The surge point of the "safety shield retaining profile" (1) and of the "wall connection upper part top section" (2) must be covered and sealed.
- To do this, the sealing tape (3) is adhered to the bottom side of the "safety shield retaining profile cover" (4).
- Bolt with 2 drilling screws 3.9x13 Torx (5).



7 Special installation cases

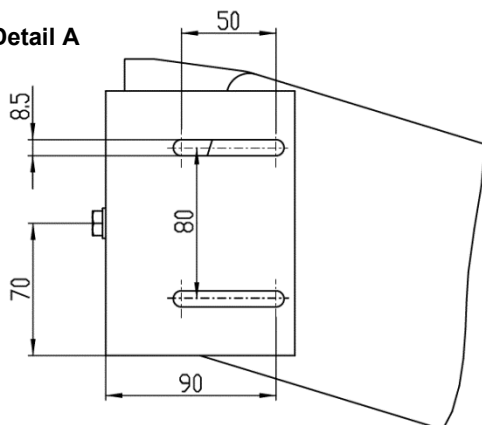


7.1 Installation on a lateral wall

Angle bracket 200x100x10 mm for installation on a side wall

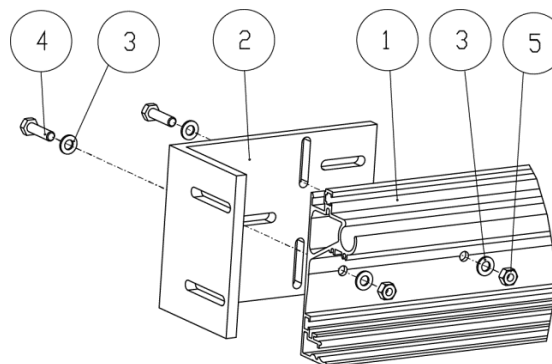
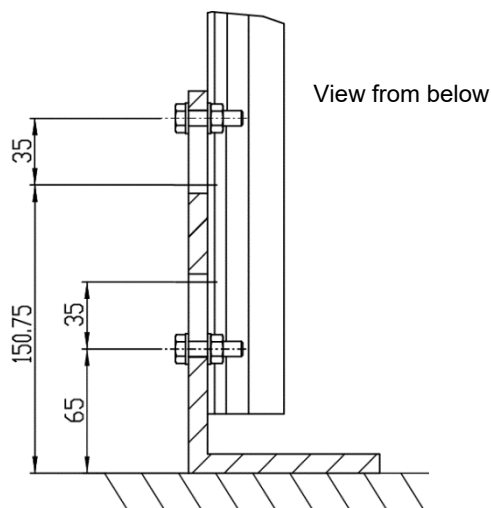
1. Drill holes $\varnothing 8.4$ mm into the wall gap sealing profile (1) according to the structural conditions. Observe the dimensions of the long slots (see Detail A).
2. Hold the angle bracket 200x100x10 mm (2) according to the drill holes to the wall gap sealing profile (1) and push in 2 washers 8.4 (3) with 2 hex socket head screws M8x30 (4) from behind.
3. Bolt with 2 washers 8,4 (3) and 2 hexagonal nuts M8 (5) from the front.

Detail A



View as seen from above

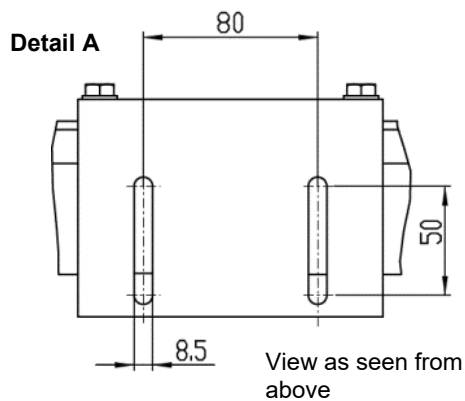
- All further mounting steps can be found in the weinor PergoTex II Chapters.



7.2 Roof installation

Angle bracket 200x100x10 mm for roof mounting

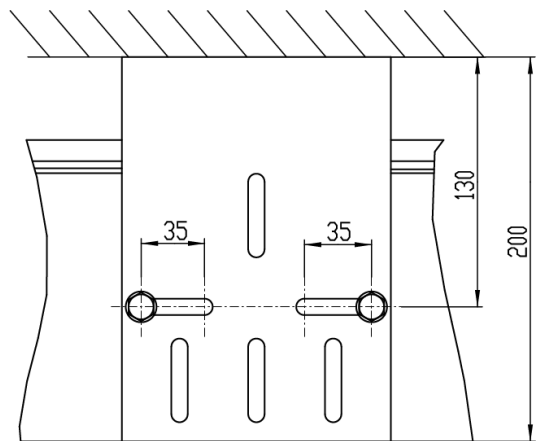
1. Drill holes $\varnothing 8.4$ mm into the wall gap sealing profile (1) according to the structural conditions. Observe the dimensions of the long slots (see **Detail A**).
2. Hold the angle bracket 200x100x10 mm (2) according to the drill holes to the wall gap sealing profile (1) and push in 2 washers 8.4 (3) with 2 hex socket head screws M8x30 (4) from behind.
3. Bolt with 2 washers 8.4 (3) and 2 hexagonal nuts M8 (5) from the front.



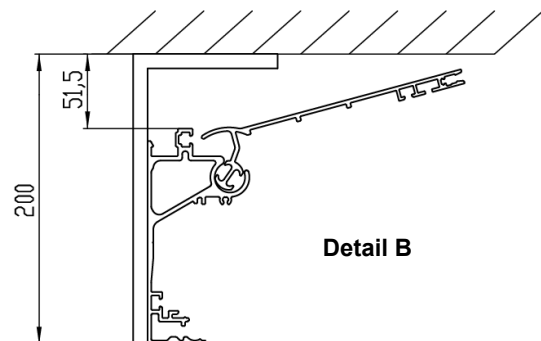
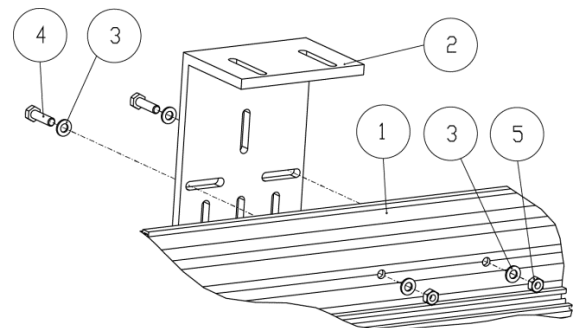
Note:

The "safety shield retaining profile" can be swivelled when the construction has been mounted to the roof (see **Detail B**).

- All further mounting steps can be found in the weinor PergoTex II Chapters.



As seen from the back



8 Installation of the weinor PergoTex II Basic/ LED



- The number of sideways angle brackets is determined on site according to the structural conditions prior to ordering a weinor PergoTex II.
- The number of front angle brackets is always dependent on the number of the side channels.
- The number of rear angle brackets is determined on site and may not be fewer than the number of side channels.
- Drill holes $\varnothing 8.4$ mm into the wall gap sealing profile according to the structural conditions. Observe the dimensions of the long slots in the respective angle bracket.
- All further mounting steps can be found in the weinor PergoTex II Chapters.

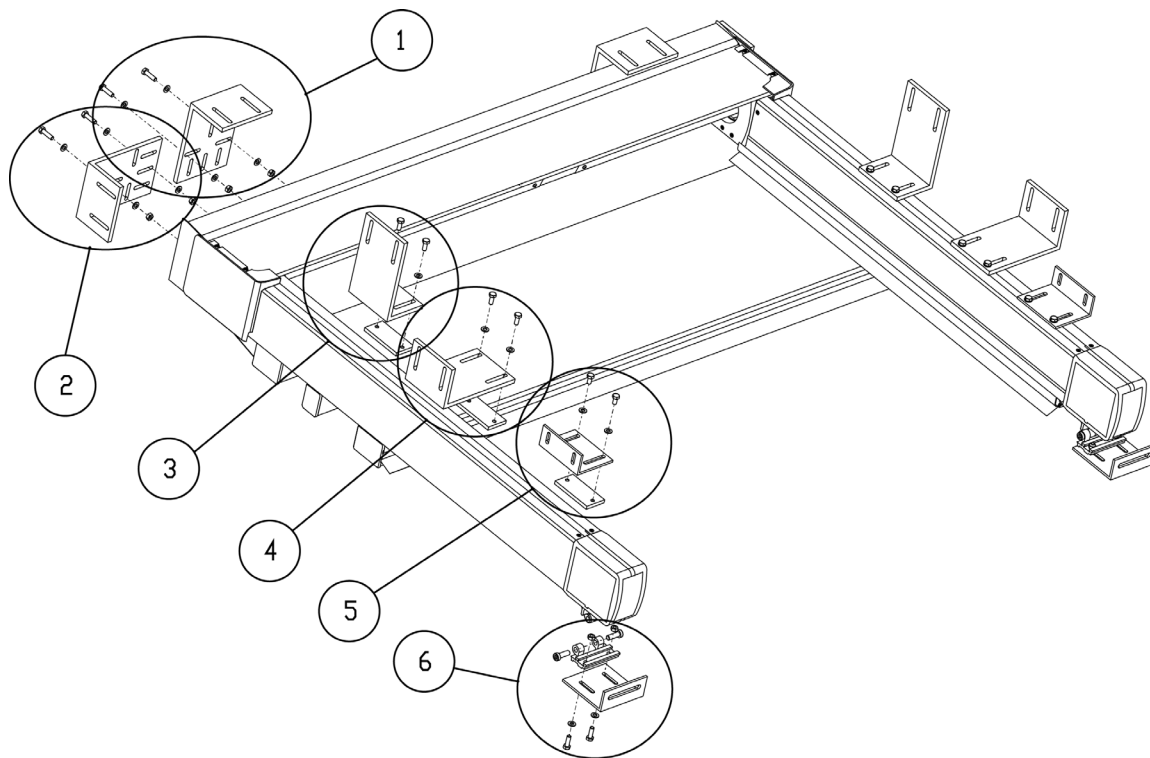






Fig. 8: weinor PergoTex II Basic/ LED

1. Angle bracket 200x100x10x140 mm complete	4. Angle bracket 200x100x10x120 mm complete
2. Angle bracket 200x100x10x140 mm complete	5. Angle bracket 100x50x5x120 mm complete
3. Angle bracket 200x100x10x120 mm complete	6. Angle bracket 124x100x9x120 mm complete

- All angles brackets are supplied with attachment screws and fixing plate.

9 Electrical connection	
9.1 safety instructions	
	
Electrical hazards	
Electrical hazards occur when the electrical connections are performed improperly.	
<ul style="list-style-type: none"> ▶ The weinor PergoTex II may only be connected to an electricity supply if the specifications provided on the tag attached to the weinor PergoTex II and/or the specifications provided in the supplied instructions for assembly tally with the power source. At the very least, the tag and/or specifications must specify the voltage, frequency and output values. ▶ A permanent electrical connection may only be made to power grids fitted with an all-pole cutting-off plate cylinder with a minimum 3 mm wide contact gap. ▶ The installation instructions accompanying the supplied electrical components must be observed. ▶ Only a qualified employee may work on the system. 	
9.2 Regulating the end positions	
	
Damage to the product	
Incorrectly set end positions can result in the product being damaged.	
<ul style="list-style-type: none"> ▶ The end position of the drive during running-in must be set to ensure that it switches off incrementally 2 cm before the arrester. 	
	<p>An adjustment kit from Becker is required to set the end position. Use the enclosed breakout lead (BiConnect LED). The circuit diagrams indicate the point for the connection of the adjustment kit (see * in Chapter circuit diagrams).</p>
	<ul style="list-style-type: none"> • The installation and operationing instructions for the used Becker motor are enclosed in the construction documents. • Ascend the construction completely and then retract it. • After running-in, ascend for approx. 2 cm to regulate the top end position of the drive (point switch off). • Then ascend the construction nonstop downwards until the drive stops independently. • The drive end positions are now regulated. <hr style="border-top: 1px dashed black;"/> <p>Check that the drive is switched off</p> <ol style="list-style-type: none"> 1. After the installation of the weinor PergoTex II, check the accurate switching off of the drive. To do so, 3 times run in and ascend to the first transom. 2. Regulate if necessary.
	If the end position has been wrongly programmed, it must be deleted using an adjustment kit.

9.3 Programming the Somfy radio



For Somfy without LED option

- Connect construction to the power supply voltage (connect drive with Somfy Universal io / RTS).
- Somfy radio control for the drive can be taught.
- Teach travel direction and channel (see separate Somfy Universal io / RTS instructions for use).
- If necessary, teach further remote-receivers on the channel.

For Somfy with LED option

- Connect the construction to the power supply voltage and disconnect the Somfy Lighting io / RTS light-remote-receiver from the power supply voltage (see in Chapter Circuit diagrams under Somfy LED **).
- Only the Somfy Universal io / RTS drive remote-receiver can now be taught.
- Teach travel direction and channel (see separate Somfy drive instructions for use).
- If necessary, teach further remote-receivers on the channel.
- Reconnect the Somfy Lighting io / RTS light remote-receiver to the power supply voltage.
- Press the channel on which the light should be taught and teach the light.
- Tilt the receiver box on the wall gap sealing profile upwards again (see Chapter Receiver box with LED lighting).

9.4 Circuit diagrams for connection of the adjustment kit

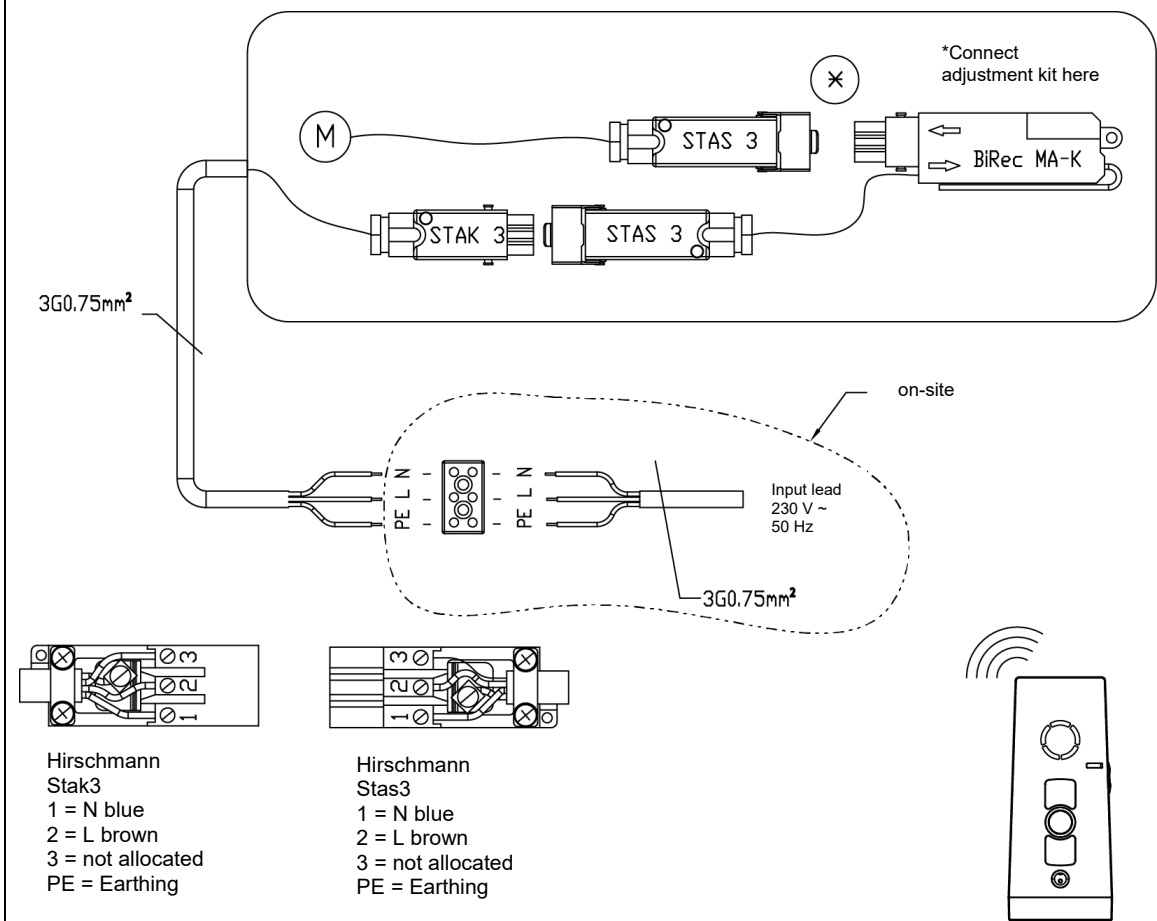


Figure 9: Circuit diagram weinor PergoTex II with BiConnect without LED

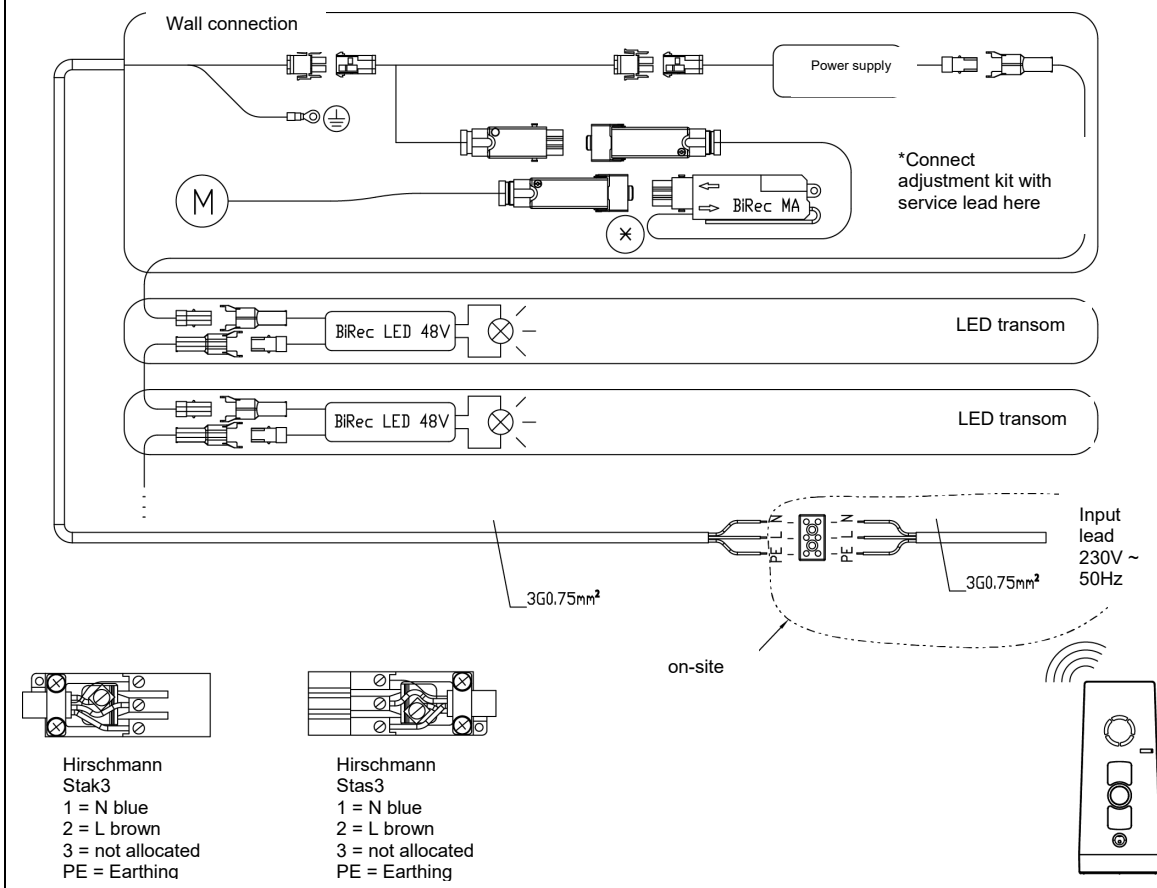


Figure 10: Circuit diagram weinor PergoTex II with BiConnect with LED

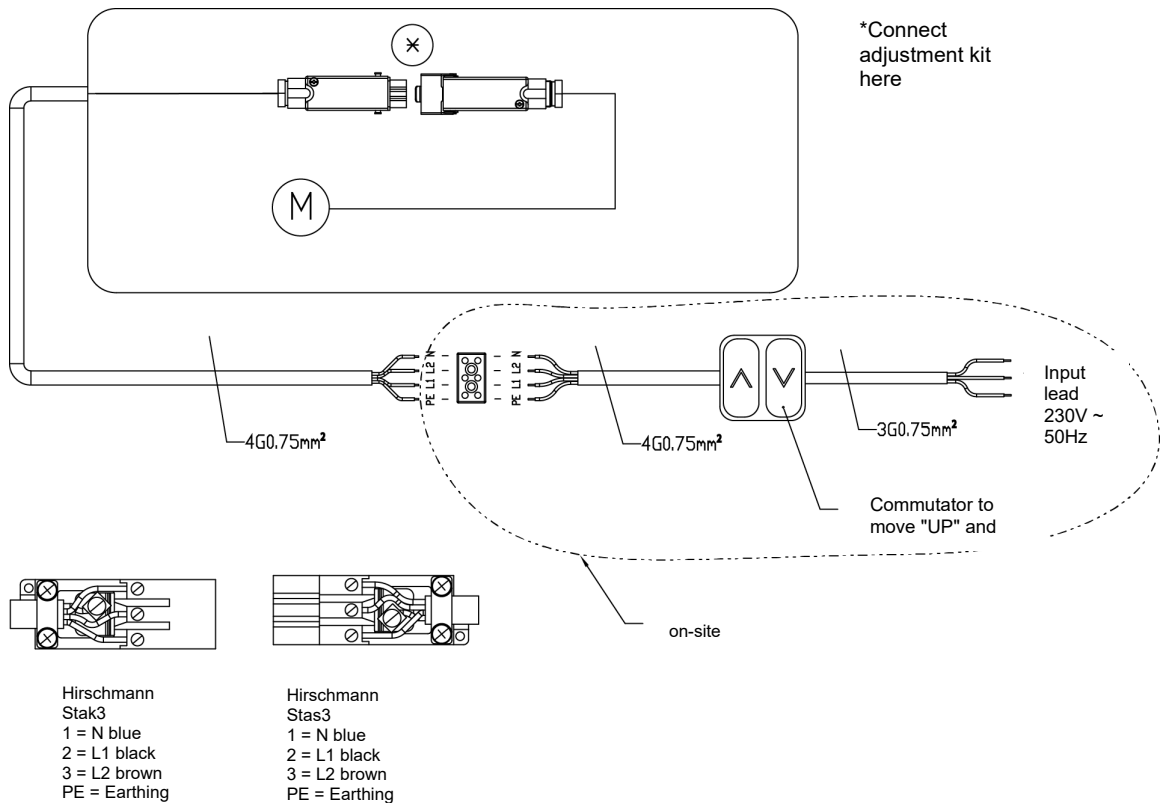


Figure 11: Circuit diagram weinor PergoTex II for conventional design without LED

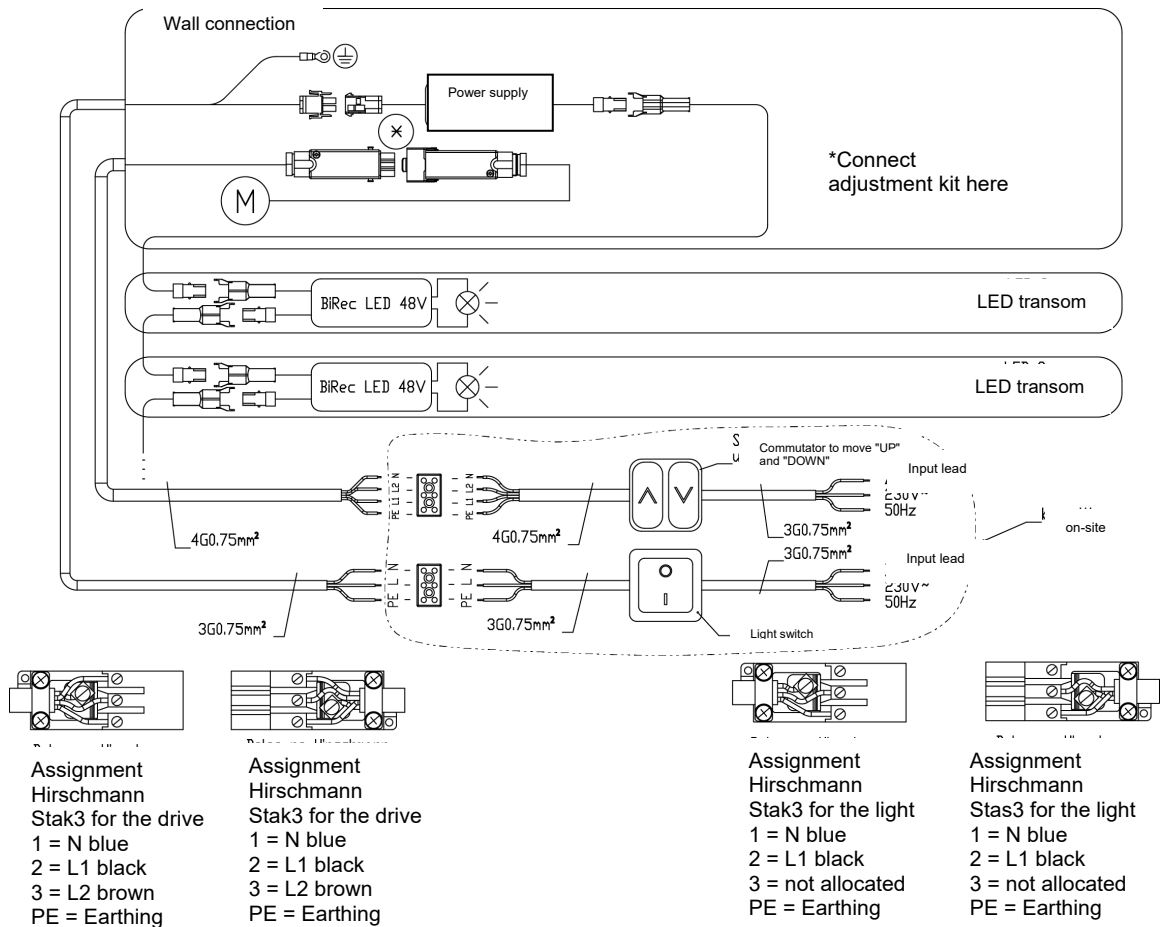


Figure 12: Circuit diagram weinor PergoTex II for conventional design with LED

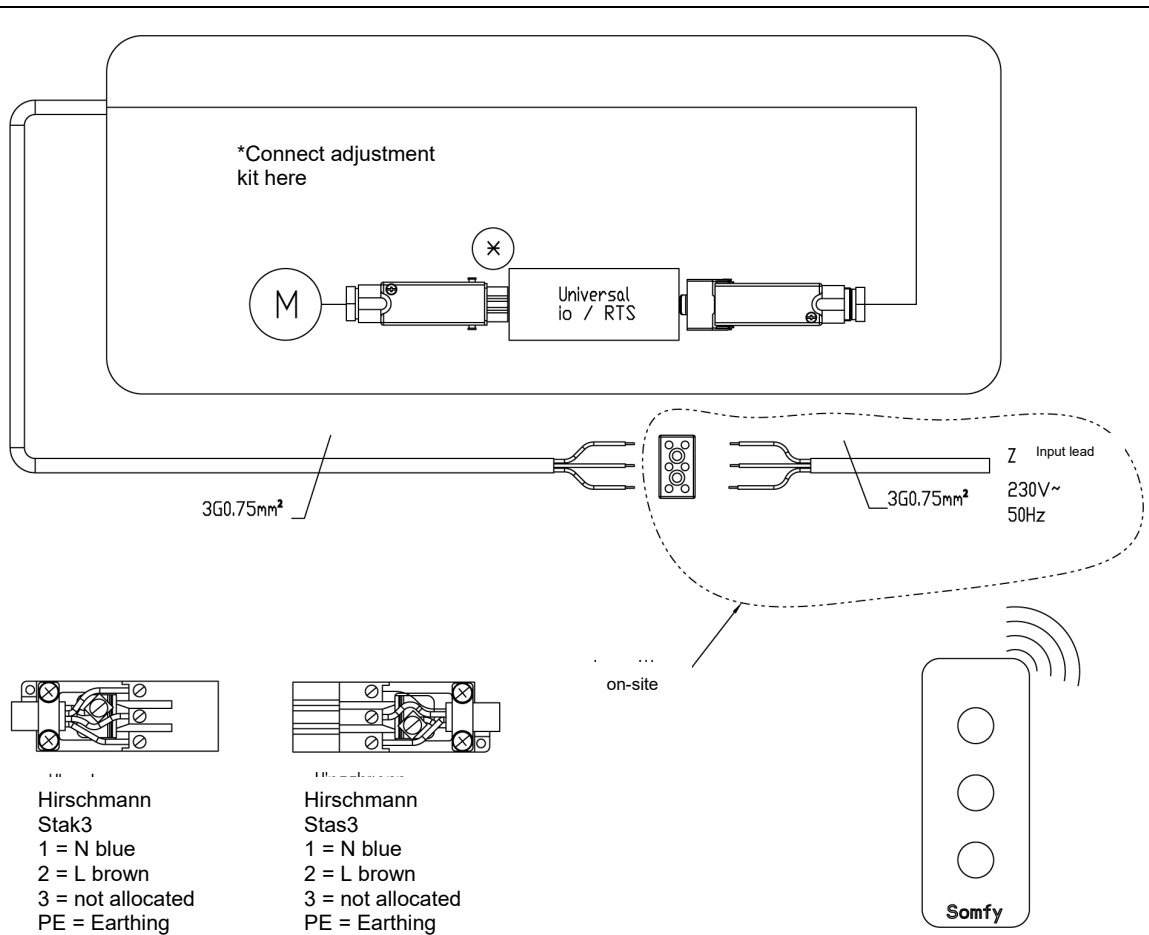


Figure 13: Circuit diagram weinor PergoTex II for Somfy without LED

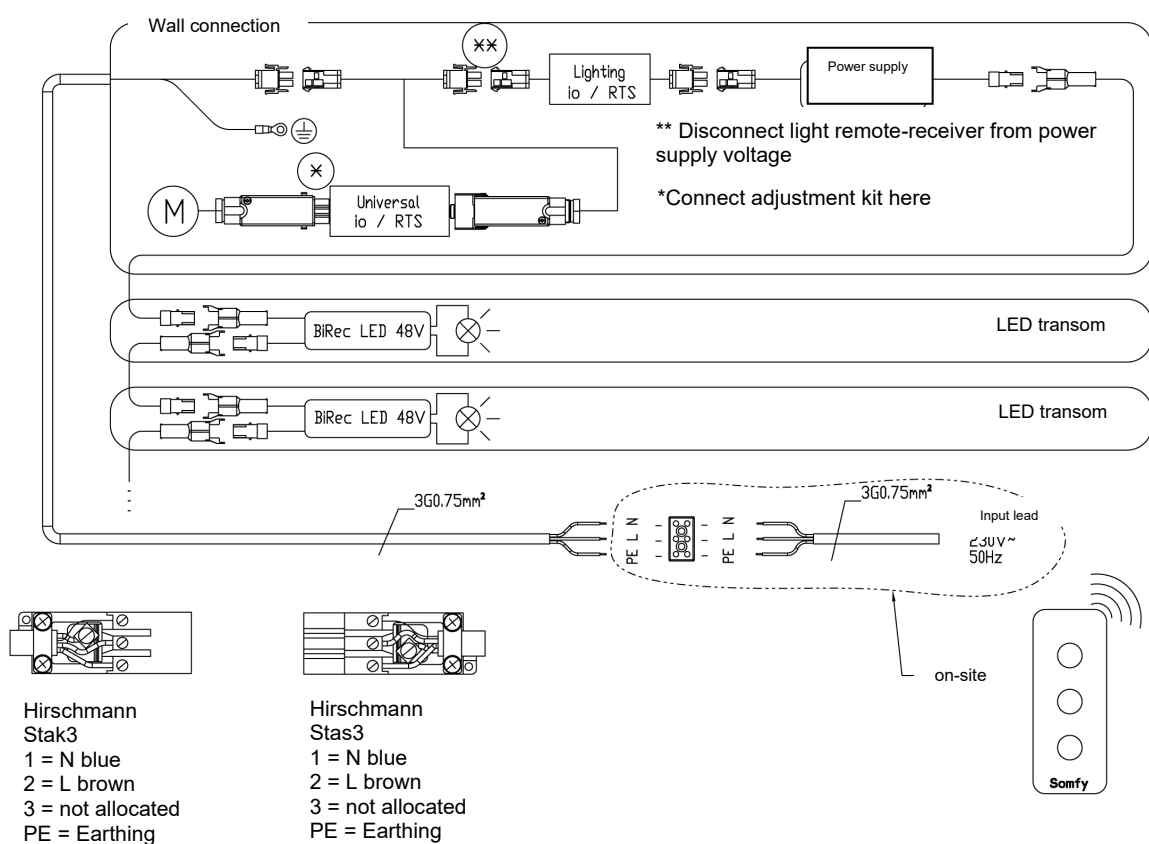
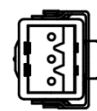
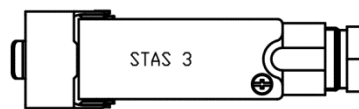
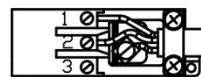
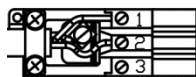


Figure 14: Circuit diagram weinor PergoTex II for Somfy with LED

9.5 Cassita II with Hirschmann connection assembly

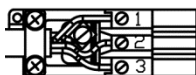


Assignment for a 3-wire cable
connector Hirschmann STAK 3
1 = N blue
2 = L brown
3 = not allocated
PE = Earthing



Assignment for a 3-wire cable
plug
Hirschmann STAS 3
1 = N blue
2 = L brown
3 = not allocated
PE = Earthing

Assignment for a 4-wire cable
connector Hirschmann STAK 3
1 = N blue
2 = L1 black
3 = L2 brown
PE = Earthing

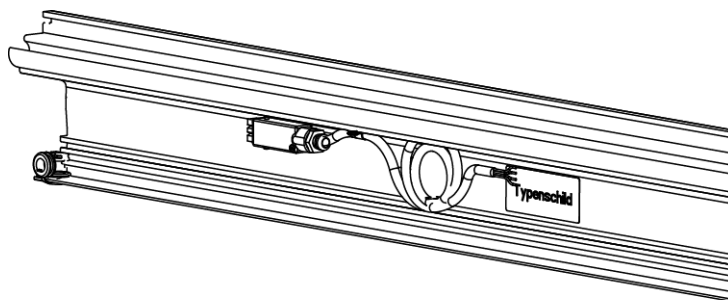


Assignment for a 4-wire cable
plug
Hirschmann STAS 3
1 = N blue
2 = L1 black
3 = L2 brown
PE = Earthing

Figure 15: Hirschmann connection assembly

9.6 Lead routing for constructions without LED lighting

1. Plug motor cable into Hirschmann connection assembly/ BiConnect MA-K/ Somfy Universal io / RTS motor remote-receiver (pre-mounted on wall gap sealing profile):



Shown here:
Hirschmann connection
assembly

2. Mount steel cable tie with countersunk self-tapping screw 4.2x9,5 in the screw groove of the wall gap sealing profile and secure the motor lead.

10 weinor PergoTex II LED lighting

10.1 Safety instructions on LED lamps

IMPORTANT

Damage to LED spotlights

Improper installation and wiring can result in the LED lamps being damaged.

- ▶ **To ensure the proper functioning of the soft-start feature - which means full brightness is reached gradually - never connect the LED lighting device when energised. This also applies when replacing individual LED spotlights. Always wire up the lamps with the power turned off and only then switch on using a 230 V AC power supply voltage.**

10.2 Technical details - LED lamps

10.2.1 Lighting device

Nominal voltage:	230 V AC / 700 mA DC
Number of lamps:	2 – 48 LED spotlights
Dimmable:	yes (with BiConnect BiRec MLED)
Circuit design	Series-connected
IP code:	IP24
Protection class::	III

10.2.2 LED lamps

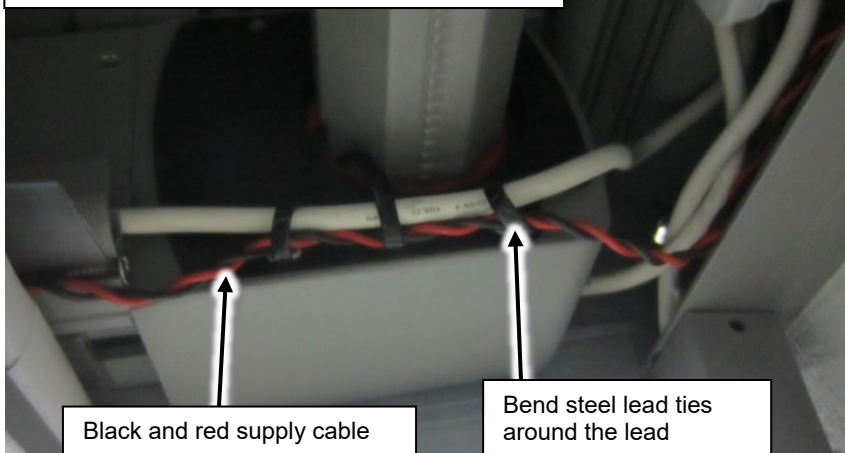
LED spotlight

Bulb:	LED lamp (Cree MX6)
Operating current:	700 mA constant current
Voltage per light:	3.7 V
Output per light:	2.6 W
Colour temperature:	Warm white (3000 K)
Radiation angle:	60°
Housing diameter:	29 mm
Housing height:	32 mm



10.3 Lead routing for installation of the construction with LED lights

The black and red supply cable is fixed on the steel cable ties preassembled at the factory onto the "end caps for the rear side channel".



Black and red supply cable

Bend steel lead ties around the lead

11 Fault analysis		
Error	Cause	Remedy
Drive not running	<ul style="list-style-type: none"> • No power • Drive incorrectly connected • Drive is too hot • Drive is defective 	<ul style="list-style-type: none"> • Switch on power supply voltage • Re-connect drive (authorised personnel only) • Wait 10 to 15 min • Replace drive (authorised personnel only)
Construction switches off with a delay and hums for longer than 10 seconds	<ul style="list-style-type: none"> • Drive not set correctly 	<ul style="list-style-type: none"> • Regulate the drive settings (fitter)
Construction does not retract or extend completely	<ul style="list-style-type: none"> • Drive not set correctly • Interim position adjusted 	<ul style="list-style-type: none"> • Regulate the drive settings (fitter) • Erasing the interim position
Transoms do not travel ascend evening during extension/ slipping of transoms	<ul style="list-style-type: none"> • Sleeve nuts over-tightened at the suspension of the transoms so that the carriages are distorted 	<ul style="list-style-type: none"> • Loosen sleeve nuts; extend and retract the construction several times. Carefully tighten the sleeve nuts.
Popping sounds when the construction is operated	<ul style="list-style-type: none"> • Toothed belt is not adequately tensioned so that it jumps on the belt pulley in the end cap of the wall gap sealing profile 	<ul style="list-style-type: none"> • Open the end cap on the side channel forwards and retention the toothed belt (torque for the screws 0.75 Nm)
Transoms not parallel to guttering	<ul style="list-style-type: none"> • Side channels not correctly aligned • Fixation of top transom to the fixed transom is not correctly adjusted 	<ul style="list-style-type: none"> • Align side channels • Regulate anchorage for transom
Water ingress at safety shield	<ul style="list-style-type: none"> • Safety shield profiles not adequately tensioned 	<ul style="list-style-type: none"> • Tighten the bracing beneath the safety shield
Clip profiles/ faceplates on post are too loose and rattle in the wind	<ul style="list-style-type: none"> • All clip connections are too loose rather than too tight due to component tolerances 	<ul style="list-style-type: none"> • Bend clip bars incrementally until the clip connection is tight
Beaded profile wall bracket cannot be fitted	<ul style="list-style-type: none"> • Sideways screws over-tightened on the beaded profile leading to distortion of the beaded profile 	<ul style="list-style-type: none"> • Loosen the screws a little sideways until the beaded profile is straight
Clip profiles slide downwards (gap in the guttering)	<ul style="list-style-type: none"> • Clip profiles not cut evenly 	<ul style="list-style-type: none"> • Underlay clip profiles • Profiles bulge at the clip bars
Cover cap for transom does not hold properly	<ul style="list-style-type: none"> • Transom is screwed on too tightly (torque not adhered to) • Clip bar of cover cap for transom is too loose 	<ul style="list-style-type: none"> • Loosen hexagon cap nut and tighten with the prescribed torque • Press the clip bar together slightly

Consturction and light do not react to the signal sent by the hand / wall transmitter	<ul style="list-style-type: none"> • No power supply voltage • (For BiConnect or Somfy) consturction/ light has not been taught • (For BiConnect or Somfy) empty batteries in hand transmitter • Ground fault circuit interrupter/ fuse inactive • remote-receiver MLED defective 	<ul style="list-style-type: none"> • Switch on power supply voltage • Teach construction/ light • Replace batteries • Activate ground fault circuit interrupter and fuse • Replace MLED remote-receiver
Only the light does not react to the signal sent by the hand / wall transmitter	<ul style="list-style-type: none"> • (For BiConnect or Somfy) light has not been taught • Black and red supply cable is not connected to the power supply on the wall bracket. • remote-receiver MLED defective 	<ul style="list-style-type: none"> • Programming the light • Black and red supply cable is connected to the power supply on the wall bracket. • Replace MLED remote-receiver
Not all light transoms react to the signal of the hand / wall switch, the others remain switched off	<ul style="list-style-type: none"> • The BiRec LED-48V remove receiver is defective 	<ul style="list-style-type: none"> • Replace the BiRec LED-48V remote receiver
An LED spotlight does not light up	<ul style="list-style-type: none"> • LED spotlight defective 	<ul style="list-style-type: none"> • Replace LED spotlight
Red lamp lights up in the LED spotlight	<ul style="list-style-type: none"> • LED spotlight defective 	<ul style="list-style-type: none"> • Replace LED spotlight

12 Handover

All operation and maintenance instructions must be handed over to the user at the time of instruction. Detailed instruction II on the safe and proper operation of the weinor PergoTex II must be given. If this is not adhered to and the weinor PergoTex II is operated incorrectly, damage or accidents could result. The instructions must be retained by the customer and passed on to the new owner if ownership of the weinor PergoTex II is passed to a third party.

After noting the on-site structural conditions and completing assembly, the installation firm is to inform the end-user whether the wind resistance class given by the manufacturer was achieved after installing the awning. If not, the installation firm must record the wind resistance class actually achieved. Automatic controls must be set to this level. The customer must confirm to the fitter in writing that the weinor PergoTex II is the right model and has been installed correctly, indicating the installation time, and that final acceptance of the weinor PergoTex II has taken place during which the safety instructions were discussed.

13 Disposal

Although this product does not contain any materials which pose a risk or danger to the environment. The weinor PergoTex II parts should nevertheless be disposed in the appropriate way.

14 Handover certificate

Offer/Order No.: Customer's address: Tel.: Mobile phone: Email:	Company																				
Handover certificate	Date																				
The weinor PergoTex II has been reviewed together with Ms/Mr _____ and accepted with no apparent defects: <input type="checkbox"/> Yes <input type="checkbox"/> No If 'No', what is the subject of complaint? _____ _____ _____ _____ _____ _____ _____																					
*If the customer decides against a formal acceptance of the weinor PergoTex II and begins operating it, the weinor PergoTex II will be deemed to have been accepted																					
The customer has been duly instructed in how to operate the weinor PergoTex II as shown in the maintenance instructions and directions for use <input type="checkbox"/> Yes <input type="checkbox"/> No	The weinor PergoTex II may be used under the following conditions: Useable up to wind strength _____ Wind: <input type="checkbox"/> Not permissible Rain: <input type="checkbox"/> Permissible if supervised Risk of frost: <input type="checkbox"/> Permissible without restriction <input type="checkbox"/> Not permissible																				
The customer has been given the following documents:																					
Maintenance Instructions and Direction <input type="checkbox"/> Yes <input type="checkbox"/> No Instructions for assembly <input type="checkbox"/> Yes <input type="checkbox"/> No Warranty documents <input type="checkbox"/> Yes <input type="checkbox"/> No	Instructions for installation and setting <input type="checkbox"/> Yes <input type="checkbox"/> No the drive, commutator and controls <input type="checkbox"/> Yes <input type="checkbox"/> No																				
Miscellaneous:	<table border="1" style="width: 100%; border-collapse: collapse;"> <thead> <tr> <th colspan="4" style="text-align: left; padding: 2px;">The assembly was made by:</th> </tr> <tr> <th style="width: 30%; padding: 2px;">name</th> <th style="width: 15%; padding: 2px;">from time</th> <th style="width: 15%; padding: 2px;">to time</th> <th style="width: 10%; padding: 2px;">hours</th> </tr> </thead> <tbody> <tr> <td style="height: 20px;"></td> <td></td> <td></td> <td></td> </tr> <tr> <td style="height: 20px;"></td> <td></td> <td></td> <td></td> </tr> <tr> <td style="height: 20px;"></td> <td></td> <td></td> <td></td> </tr> </tbody> </table>	The assembly was made by:				name	from time	to time	hours												
The assembly was made by:																					
name	from time	to time	hours																		

Signature of fitter

Signature of customer

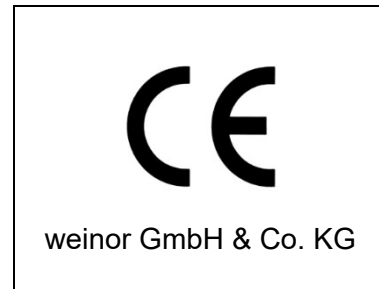
15 Declaration of performance

Products:

weinor PergoTex II, Textile patio roof

Types:

Pergola awning



Designed for use in acc. with DIN EN 13561 "Awnings - Performance and safety requirements; German version: 2009-01"

Manufacturer:

weinor GmbH & Co. KG
Mathias-Brüggen-Straße 110
50829 Cologne, Germany

Certification in acc. with system of assessment 4 of Construction Products Directive 305/2011/EC has been obtained by the manufacturer.

If used as intended, this product complies with the main features defined in the following standards.

Declared performance

Main features/ performance	Standard	Declared performance
Wind resistance class (0-3)	DIN EN 13561 Awnings - Performance and safety requirements; German version: 2009-01	Wind resistance class 3

Person authorised to compile the technical documents:

Czarnetzki, Erwin, Documentation Officer
weinor GmbH & Co. KG
Mathias-Brüggen-Str. 110
50829 Cologne, Germany

Date/ Signature:


Cologne, 01.08.2015

A handwritten signature in black ink, appearing to read 'ppa. K. Stawski', written in a cursive style.

ppa. Karl-Heinz Stawski

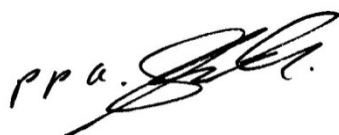
16 GB EU Declaration of Conformity weinor PergoTex II

D EU-Konformitätserklärung
 NL EU-conformiteitsverklaring
 FR Déclaration de conformité UE

Hersteller	weinor GmbH & Co. KG	Dokumentationsbevollmächtigter	
Fabrikant	Mathias-Brüggen-Straße 110 50829 Köln/Cologne/Keulen	Documentatiegevolmachtigde	Czarnetzki, Erwin
Manufacturer	Deutschland/Duitsland/ Germany/Allemagne	Documentation Officer	
Fabricant		Chargé de la documentation	
Produkt Produkttyp Baujahr	weinor PergoTex II Pergola-Markise mit Motorantrieb		
Product Producttype Bouwjaar	weinor PergoTex II Pergola-zonwering met motoraandrijving	ab	
Product Product type Year built	weinor PergoTex II Pergola awning with motor drive	vanaf	
Produit Type de produit Année de construction	weinor PergoTex II Store de pergola avec entraînement motorisé	from	
		à partir de	04/2016
Produktbeschreibung	Außenliegender Sonnenschutz		
Productbeschrijving	Aan de buitenzijde aangebrachte zonwering		
Product description	Outdoor sun protection		
Description du produit	Protection solaire extérieure		
Erklärung	Wir erklären, dass das oben bezeichnete Produkt aufgrund seiner Konzipierung und Bauart, sowie in der von uns in Verkehr gebrachten Ausführung den einschlägigen grundlegenden Sicherheits- und Gesundheitsanforderungen der folgenden EU-Richtlinien entspricht. Bei einer nicht von uns abgesprochenen Änderung des Produktes verliert die Erklärung ihre Gültigkeit.		
Verklaring	Wij verklaren, dat het hierboven aangeduide product, op basis van ontwerp en bouwwijze, alsmede in de door ons in verkeer gebrachte uitvoering, voldoet aan de geldende fundamentele veiligheids- en gezondheidsvoorschriften van de volgende EU-richtlijnen. Bij een niet met ons afgesproken wijziging van het product verliest de verklaring haar geldigheid.		
Declaration	We declare that, due to its design and type of construction as well as in the form in which it was marketed by us, the product mentioned above meets the relevant fundamental health and safety requirements prescribed by the EU directives stated below. Any modification of the product not approved by us will result in this declaration becoming invalid.		
Déclaration	Nous déclarons que le produit désigné ci-dessus, sur la base de sa conception et de son type de construction, répond dans la version que nous commercialisons, aux exigences fondamentales de santé et de sécurité des directives UE suivantes. En cas de modification du produit sans notre accord, cette déclaration n'est plus valable.		
Richtlinien und Normen	Maschinenrichtlinie 2006/42/EG Machinerichtlijn 2006/42/EG Machinery Directive 2006/42/EG Directive sur les machines 2006/42/EG		
Richtlijnen en normen	EU-Niederspanningsrichtlinie 2014/35/EU EU-Laagspanningsrichtlijn 2014/35/EU EU low voltage directive 2014/35/EU EU directive basse tension 2014/35/EU		
Directives and standards	Richtlinie über elektromagnetische Verträglichkeit 2014/30/EU Richtlijn inzake elektromagnetische compatibiliteit 2014/30/EU Electromagnetic Compatibility Directive 2014/30/EU Directive sur la compatibilité électromagnétique 2014/30/EU		
Directives et normes	EN 13561:2015 EN 50366:2003 + A1:2006 EN 60335-1:2012 EN 60335-2-97:2006 + A11:2008 + A2:2010		
Ort, Datum Stad, datum City, Date Ville, Date	Köln, 20.04.2016 Keulen, 20-04-2016 Cologne, 2016-04-2016 Cologne, le 20/04/2016	Unterschrift Handtekening Signature Signature	

17 GB EU Declaration of Conformity weinor PergoTex II LED

D EU-Konformitätserklärung
 NL EU-conformiteitsverklaring
 FR Déclaration de conformité UE

Hersteller	weinor GmbH & Co. KG	Dokumentationsbevollmächtigter	
Fabrikant	Mathias-Brüggen-Straße 110 50829 Köln/Cologne/Keulen	Documentatiegevolmachtigde	Czarnetzki, Erwin
Manufacturer	Deutschland/Duitsland/ Germany/Alleagn	Documentation Officer	
Fabricant		Chargé de la documentation	
Produkt Produkttyp Baujahr	weinor PergoTex II LED Pergola-Markise mit Motorantrieb und integrierter LED Beleuchtung		
Product Producttype Bouwjaar	weinor PergoTex II LED Pergola-zonwering met motoraandrijving en geïntegreerde ledverlichting		ab vanaf from
Product Product type Year built	weinor PergoTex II LED Pergola awning with motor drive and integrated LED lighting		à partir de 04/2016
Produit Type de produit Année de construction	weinor PergoTex II LED Store de pergola avec entraînement motorisé et éclairage LED intégré		
Produktbeschreibung	Außenliegender Sonnenschutz		
Productbeschrijving	Aan de buitenzijde aangebrachte zonwering		
Product description	Outdoor sun protection		
Description du produit	Protection solaire extérieure		
Erklärung	Wir erklären, dass das oben bezeichnete Produkt aufgrund seiner Konzipierung und Bauart, sowie in der von uns in Verkehr gebrachten Ausführung den einschlägigen grundlegenden Sicherheits- und Gesundheitsanforderungen der folgenden EU-Richtlinien entspricht. Bei einer nicht von uns abgesprochenen Änderung des Produktes verliert die Erklärung ihre Gültigkeit.		
Verklaring	Wij verklaren, dat het hierboven aangeduide product, op basis van ontwerp en bouwwijze, alsmede in de door ons in verkeer gebrachte uitvoering, voldoet aan de geldende fundamentele veiligheids- en gezondheidsvoorschriften van de volgende EU-richtlijnen. Bij een niet met ons afgesproken wijziging van het product verliest de verklaring haar geldigheid.		
Declaration	We declare that, due to its design and type of construction as well as in the form in which it was marketed by us, the product mentioned above meets the relevant fundamental health and safety requirements prescribed by the EU directives stated below. Any modification of the product not approved by us will result in this declaration becoming invalid.		
Déclaration	Nous déclarons que le produit désigné ci-dessus, sur la base de sa conception et de son type de construction, répond dans la version que nous commercialisons, aux exigences fondamentales de santé et de sécurité des directives UE suivantes. En cas de modification du produit sans notre accord, cette déclaration n'est plus valable.		
Richtlinien und Normen	Maschinenrichtlinie 2006/42/EG Machinerichtlijn 2006/42/EG Machinery Directive 2006/42/EG Directive sur les machines 2006/42/EG		
Richtlijnen en normen	EU-Niederspannungsrichtlinie 2014/35/EU EU-Laagspanningsrichtlijn 2014/35/EU EU low voltage directive 2014/35/EU EU directive basse tension 2014/35/EU		
Directives and standards	Richtlinie über elektromagnetische Verträglichkeit 2014/30/EU Richtlijn inzake elektromagnetische compatibiliteit 2014/30/EU Electromagnetic Compatibility Directive 2014/30/EU Directive sur la compatibilité électromagnétique 2014/30/EU		
Directives et normes	EN 13561:2015 EN 50366:2003 + A1:2006 EN 55015:2013 + A1:2015 EN 60335-1:2012 EN 60335-2-97:2006 + A11:2008 + A2:2010 EN 60598-1:2015-10 EN 60598-2-2:2012/10 EN 61000-3-2:2014 EN 61000-3-3:2013 EN 61547:2009 EN 62471:2009-03		
Ort, Datum Stad, datum City, Date Ville, Date	Köln, 20.04.2016 Keulen, 20-04-2016 Cologne, 2016-04-2016 Cologne, le 20/04/2016	Unterschrift Handtekening Signature Signature	

weinor GmbH & Co. KG
Mathias-Brüggen-Straße 110
50829 Cologne (Germany)
weinor.com