

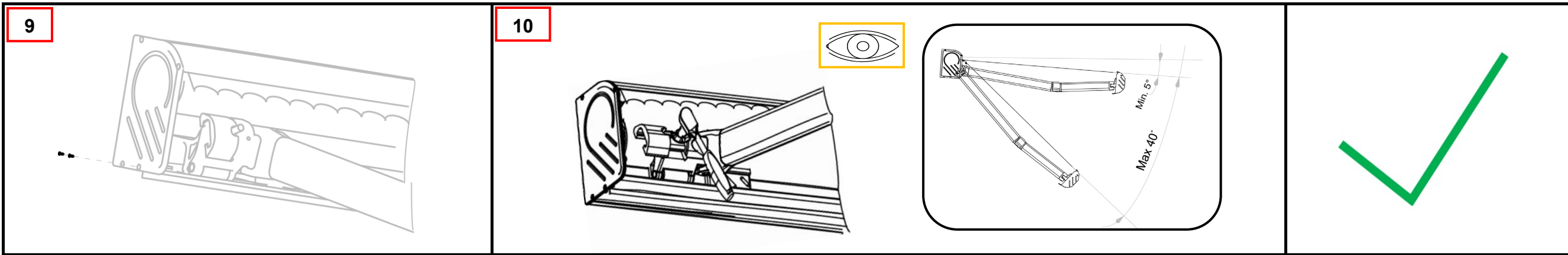


Symbole / symbols/ symbolen/ symbole			
	Prüfen/ Prüfen/ Check/ examiner		
	2 Personen erforderlich/ 2 personen nodig/ 2 persons required/ 2 personnes nécessaires		
	Montageanleitung/ Montagehandleiding/ Instructions for Assembly/ Notice de montage		

Wandmontage/ wall/ muur/ mur

<p>1</p>	<p>2.1</p> <p>(K2000)</p> <p>(I2000)</p>	<p>2.2</p>	<p>3</p>	<p>4</p>
-----------------	---	-------------------	-----------------	-----------------

<p>5</p> <p>min. 500</p>	<p>6</p>	<p>7</p>	<p>8</p>
---------------------------------	-----------------	-----------------	-----------------



Decke/ ceiling/ zoldering/ plafond

