

NEW!

01



Cassette awning

Smaila

Smaila LED | Valance Plus | LED Valance Plus

Cubic, installation-friendly and technically and optically state-of-the-art: That describes the cassette awning **Smaila**. Above-all, it is suitable for balconies and small patios and combines several benefits of all the other weinor cassette awnings. **Smaila**, with its LongLife arm and the weinor Opti-Flow-System®, is equipped for perfect fabric positioning. Its two insertable brackets, for example, ensure fast and simple installation.

Smaila Highlights



Decorative side end caps:

With five attractive patterns for a distinctive appearance (alternatively also in awning frame colour)



Removable cover caps:

Motor and control unit easily accessible



Integrated rain gutter
Optimum water drainage

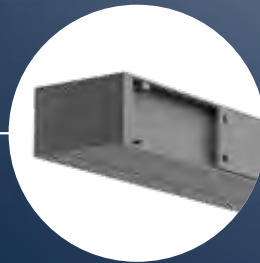


Roof installation



Wall installation

Without a flush wall gap profile



Wall installation

With a wall gap profile for a uniform appearance up to the wall



Rafter installation



Insertable brackets

pre-configurable when ordered, ± 35 mm adjustable on the construction site



The powder coating done at our in-house factory guarantees **colour fastness and a uniform gloss level.**



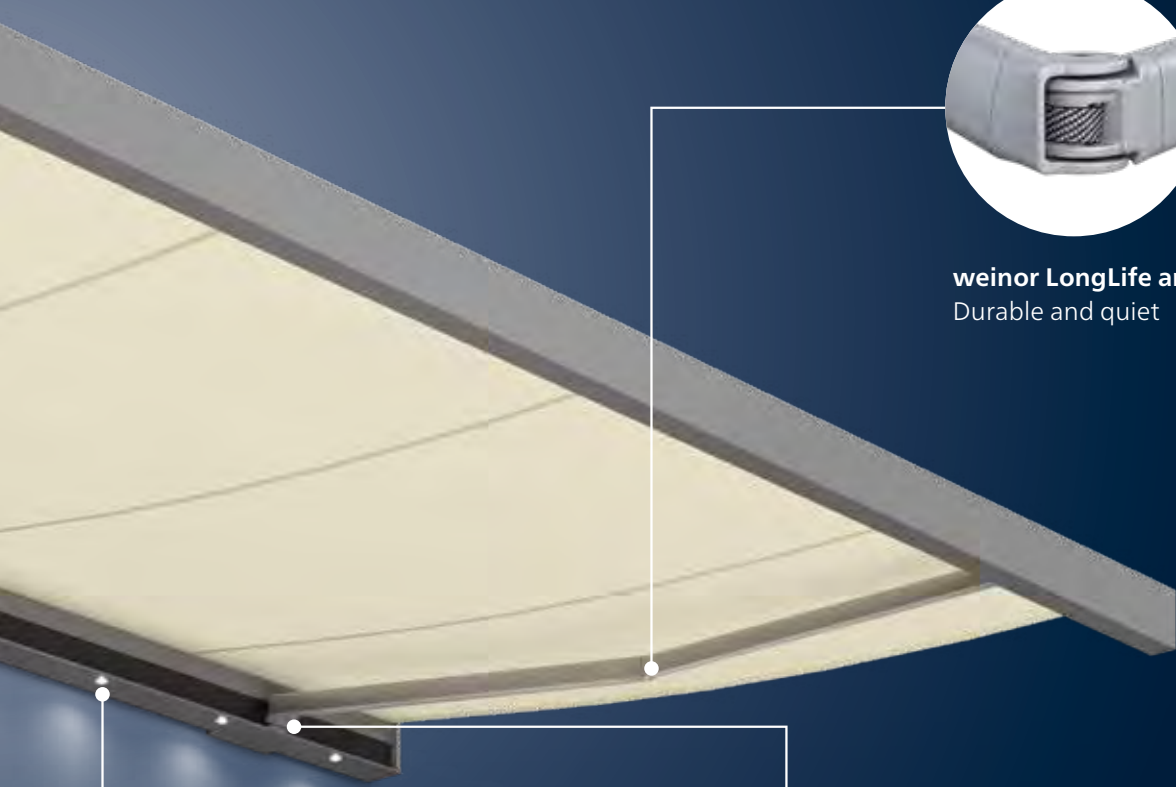
Smaila fabrics are spinneret-dyed, water repellent and dirt-resistant.



Valance Plus option with gear drive



weinor LongLife arm:
Durable and quiet



Smaila LED:
integrated into the cassette



Wind lock safety device:
the awning does not lift up in winds

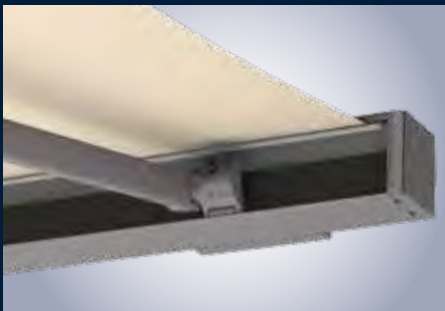
Smaila Benefits



Compact cubic design – with attractive decorative side end caps

The elegant cassette look matches contemporary architecture

- Square shape
- Contemporary decorative side end caps in 5 different patterns (alternatively also with awning frame colour)
- Cover cap (headplates) for maintenance work, removable with snap-in technology
- Low fabric deduction dimension for the especially large fabric area



Tried and tested technology – reliable quality

Smaila is distinguished by numerous technical details, which offer top quality and longevity.

- Low-noise weinor LongLife arm
- Tilting folding arm with wind lock safety device
- weinor Opti-Flow-System® with a floating tube for awnings and Valance Plus for top fabric positioning



Insertable brackets – fast installation

Clever technical details ensure fast, safe and easy installation.

- Two wall gap profile options: flush and distanced
- Only two brackets necessary for all widths
- When ordered positionable brackets for unproblematic installation up to house corners, ± 35 mm adjustable at the construction site



Valance Plus – vertical privacy and sun protection

The Valance Plus is elegantly integrated into the front profile of the awning. It provides privacy and glare protection caused by low-lying sun.

- Continuously extendable up to 100 cm
- Gear drive only



Smaila LED – cassette with integrated LED lighting

The LED spotlights integrated into the cassette produce atmospheric lighting on the patio.

- 30,000 LED light hours with lowest energy consumption (85% electricity saving compared to halogen technology)
- LED with the Somfy ON/OFF remote controller

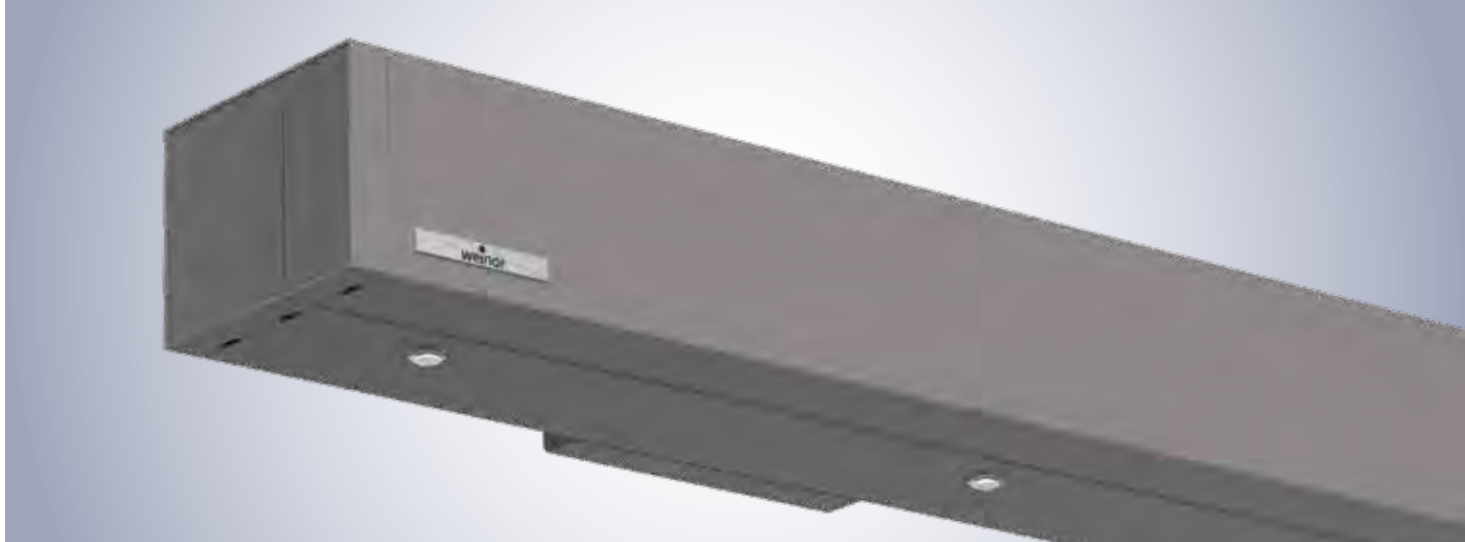
Smaila Technology

01

Smaila versions	Smaila	Smaila LED
Technology		
Max. width	550/500 cm	550/500 cm
Max. projection	300/350 cm	300/350 cm
Cassette size (w x h) incl. standard bracket	248 mm x 155 mm	248 mm x 155 mm
Gear drive	○	—
Motor drive (hard wired)	● as standard	● as standard
Adjusting the pitch on awning	5° to 40° (on the tilting mechanism)	5° to 40° (on the tilting mechanism)
Installation alternatives	Can be installed on walls, roofs and rafters	
LED lighting (separate spotlights)	—	● integrated into the awning's cassette
Patented weinor Opti-Flow-System®	● as standard	● as standard
LongLife arm	● as standard	● as standard
Valance Plus option		
Max. width	500 cm	500 cm
Max. awning projection	300 cm	300 cm
Cassette size (w x h) incl. standard bracket	306 x 155 mm	306 x 155 mm
Gear drive	○	○
Adjusting the pitch on awning	10° to 20°	10° to 20°
Valance Plus projection (height)	100 cm	100 cm
Patented weinor Opti-Flow-System®	● as standard	● as standard
Accessories		
Tempura heating system/Tempura Quadra	○	○
Product protection sensor Somfy Eolis 3D WireFree RTS	○	○
Control units		
Remote control (Via Somfy Inline receiver)	○ (Somfy RTS Inline receiver)	○ (Somfy RTS Inline receiver)
No remote control	●	●
Weather sensors		
Somfy: Eolis 3D WireFree, Sunis WireFree, Eolis RTS 230V, Ondeis RTS rain sensor	○	○
Quality		
Tested up to	wind resistance class 1 according to DIN 13561 (wind strength 5 on the Beaufort scale)	

● standard ○ optional — unavailable

Smaila LED

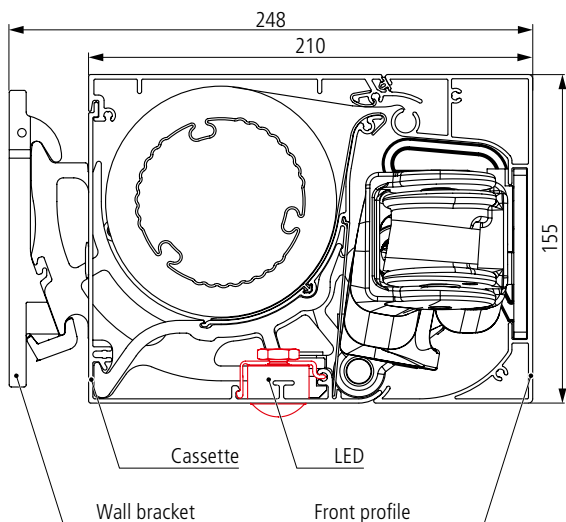


LED lighting – 30,000 hours of lighting with lowest energy consumption

Select LED components stand for top weinor quality:

- Atmospheric light thanks to special glass lenses
- Visually integrated into the cassette
- Lighting remains on even when awning is retracted
- Highly energy-efficient
- Operating life of 30,000 hours
- ON/OFF remote controller with Somfy RTS Inline Lighting receiver
- Service-friendly Simply replacement of individual LED lights possible without dismounting the awning

Smaila cassette with integrated LED lighting



Number of individual LED spotlights

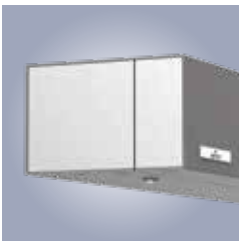
Awning width in cm	Number of separate LED spotlights
up to 200	3
201-250	3-5
251-300	4-6
301-350	5-7
351-400	6-8
401-450	7-9
451-500	9-10
501-550	10-11

Decorative side end caps



Attractive decorative side end caps for individual design

The decorative side end caps with a brushed matt look (silver aluminium, copper aluminium, brown aluminium, brass aluminium and anthracite aluminium), enable you to provide your customers the opportunity to set an individual accent. The anodised aluminium material lends the Smaila an optical highlight.



Silver aluminium



Copper aluminium



Brown aluminium



Brass aluminium

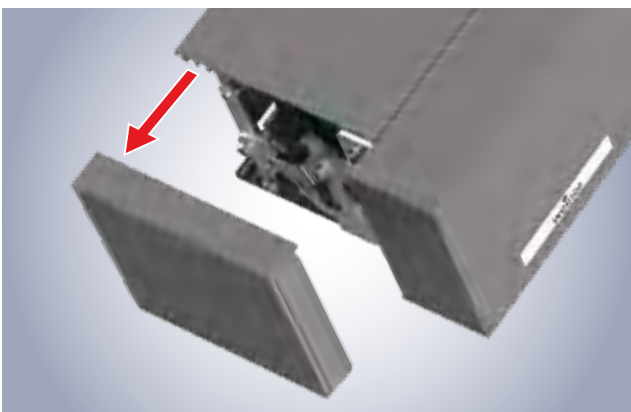


Anthracite aluminium



Awning frame colour

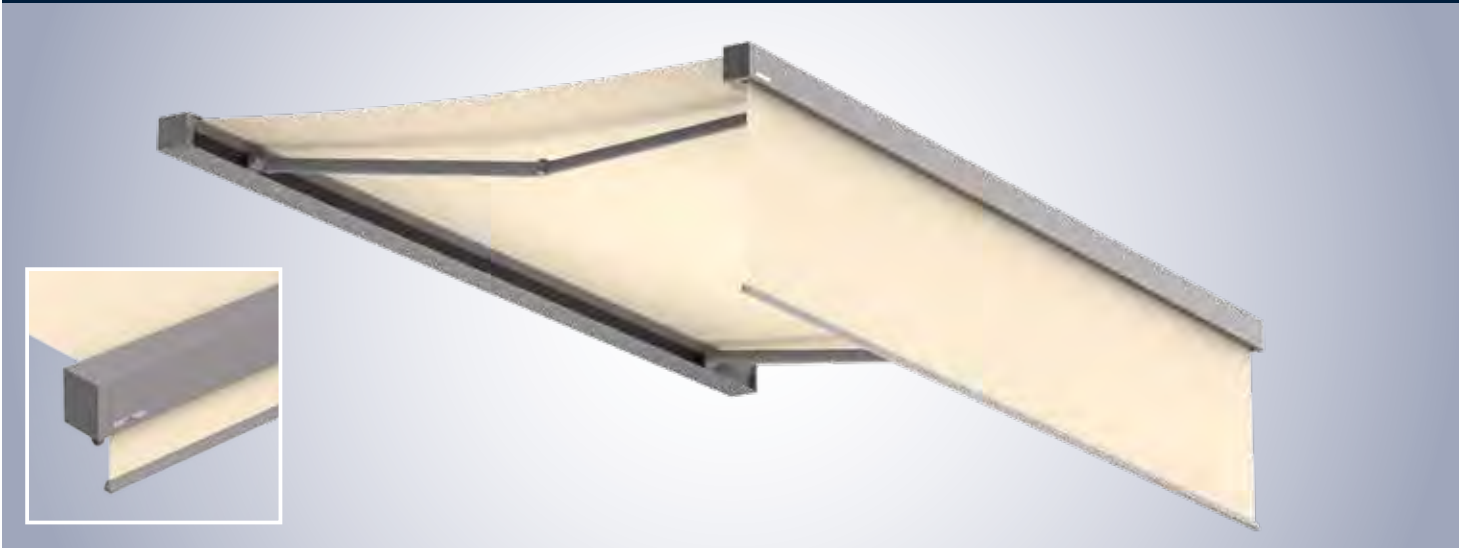
The decorative side end caps are also available in the same frame colour as the awning.



Removable cover cap

The cover cap (headplate) with the inserted decorative faceplate can easily be removed and re-attached for installation and maintenance of the motor and control unit. The front profile end cap is additionally secured with a screw and need not be disassembled for maintenance.

Smaila Valance Plus



More privacy thanks to vertical privacy and sun protection (optional)

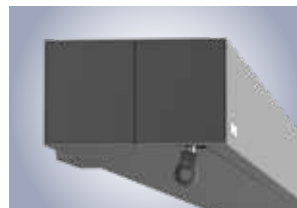
The gear-driven Valance Plus is elegantly integrated into the front profile of the awning.

- Glare protection and privacy protection up to a maximum valance height of 100 cm
- Extends to any width
- Use Valance Plus with an awning angle of pitch between 10° and 20°
- Valance Plus cannot be retrofitted

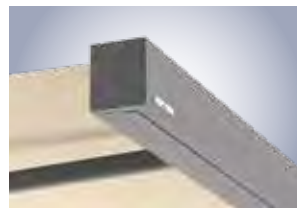
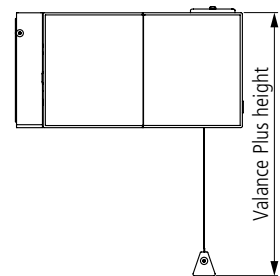
Please note: For Valance Plus with gear drive, the Valance Plus front profile may close unevenly.

Maximum awning size for Valance Plus

Main drive motor			
Width	500 cm	Projection	300 cm
Main drive gear box			
Width	500 cm	Projection	300 cm



With gear drive (only)



Closed

V-shaped waves

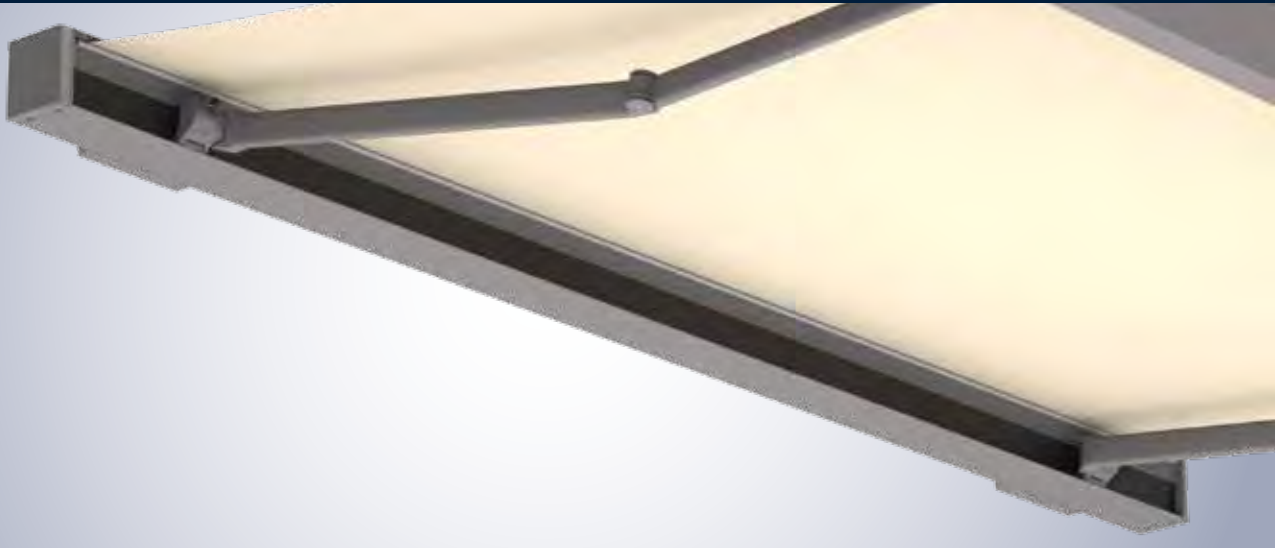
V-shaped waves may be incurred symmetrically coming from the top edge of wider width systems. This can also happen with awnings mounted using special brackets. The reasons for this are the fabric's dead weight and structure as well as the sagging waves and loads on the brackets and/or facade substructure.

Available fabrics for the Valance Plus

	Soltis® 86, 92	Acrylic	Polyester	StarScreen
Pattern	unicolour	stripes/ unicolour	stripes/ unicolour	unicolour
Roll width	177 cm 267 cm	120 cm	120 cm	325 cm
Valance length (100 cm)	S	S	S	S

S Seamless: Seamless fabric; structure of fabric runs transverse to the awning fabric structure

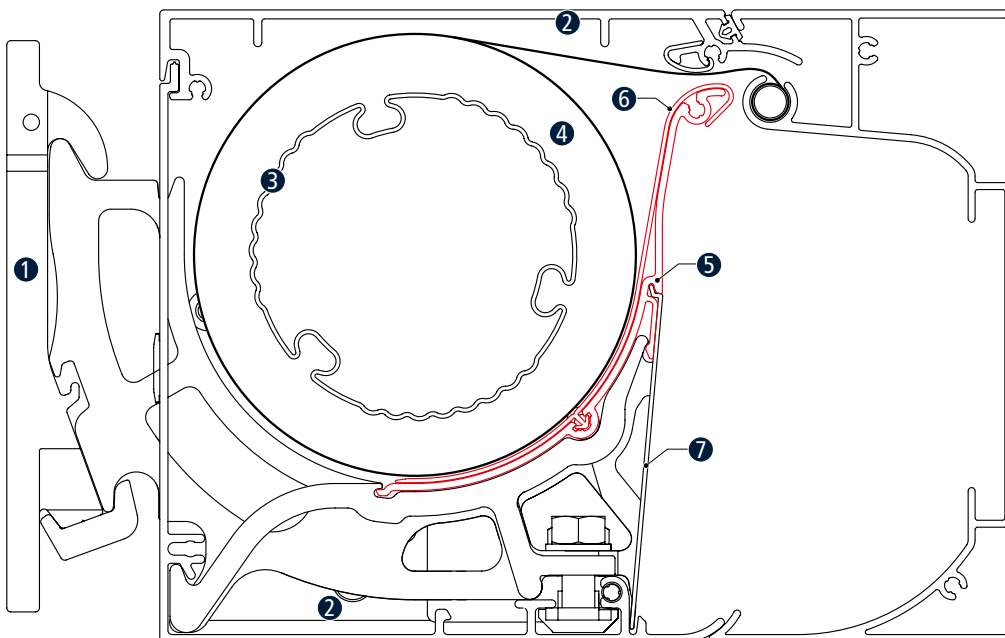
Fibreglass fabric is not possible



Smaila: Support profile over the entire width of awning

Optimum fabric positioning

The weinor Opti-Flow-System® and support profile across the whole width of the awning ensure perfect fabric positioning.



- ① Centre bracket (wall bracket)
- ② Cassette
- ③ Roller tube
- ④ Fabric rolls
- ⑤ Support profile
- ⑥ Glide profile
- ⑦ Cover profile

Smaila Controls

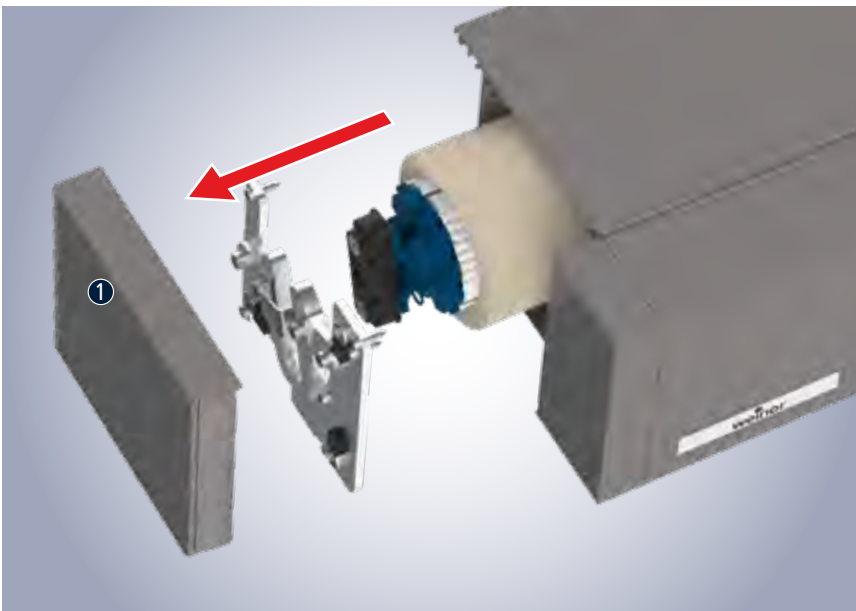
Installation location for electrical components



Service-friendly access

The motor can be easily accessed from the end cap.

The cover cap (headplate) ① can be opened for servicing purposes. The motor can be disconnected and replaced via the end headplate. This means the control components can be pulled out from the side if exchange becomes necessary.



Hard wired with Somfy control

Product	Electronics	Hard wired Somfy control	Control units
Smaila	Smaila drive	<ul style="list-style-type: none"> Somfy control for awning drive 	e.g. Somfy RTS inline Receiver or Soliris Smoove Uno (on-site)
Smaila LED	Smaila drive and LED lighting	<ul style="list-style-type: none"> Somfy control for awning drive Commutator on-site for the LED spotlights LED power supply pack integrated into the cassette LED not dimmable 	e.g Somfy RTS in-line Receiver Somfy RTS lighting Receiver. Alternatively, Soliris Smoove Uno and suitable lighting switch (on-site)
Accessories (optional)	Tempura/Tempura Quadra heating	<ul style="list-style-type: none"> Not dimmable 	Suitable commutator (on-site)

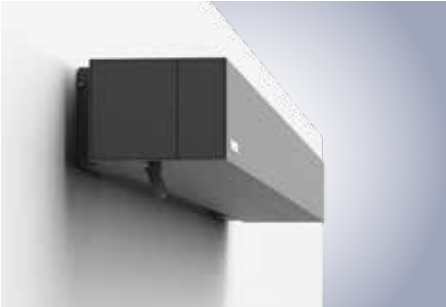


Please note:

Please see the “Accessories” technical brochure for further details regarding the drive and control.

Some options are subject to a surcharge. For prices, please refer to the weinor awnings price list.

Gear drive (optional)



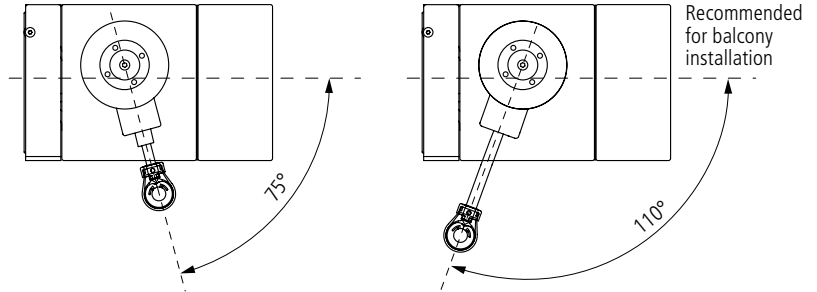
Wall installation

The Smaila can naturally also be ordered with a gear drive (up to max. width of 550 cm at a max. length of 300 cm). This option is recommended whenever it is hard to connect to an electrical power source on-site or if the awning is not frequently used. The Smaila has universal bevel gears.

- End stop adjustable from outside
- Tested according to DIN EN 14203
- Freewheel when extended



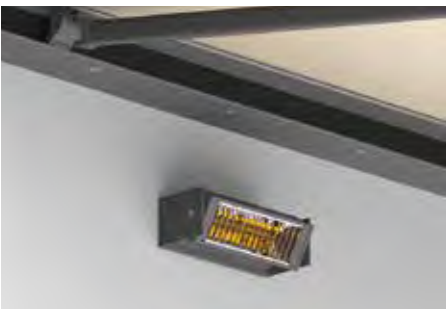
Roof/balcony installation



Gear outlet with front alignment (standard), e.g. for wall installation

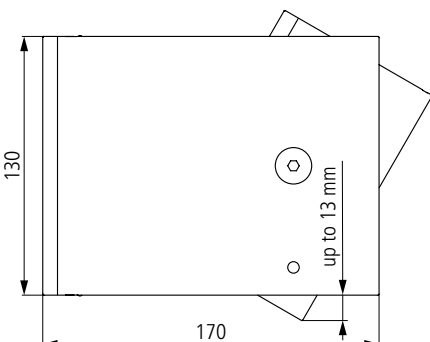
Gear outlet with rear alignment, e.g. for roof/balcony installation

Tempura heating system (optional)



**Perfectly combined:
Smaila with Tempura Quadra heating system**

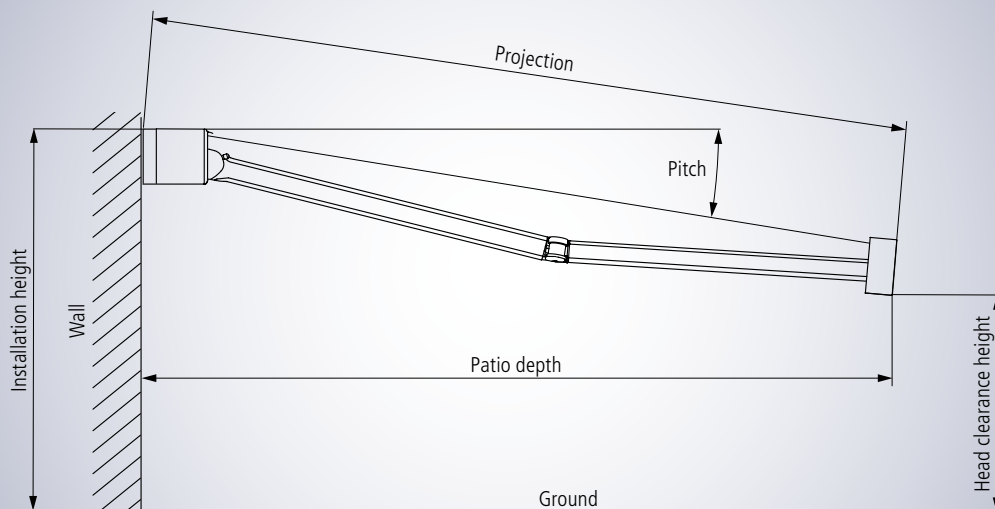
Please note: As a standard, the Tempura angle of pitch is restricted to 15° (this restriction is intended to avoid the wall being heated up too much by the Tempura). The grub screw, which restricts the angle of pitch, can be removed if the Smaila is inclined up to a maximum of 10°. Then, an angle of pitch for the Tempura of up to 30° is possible.



Important note regarding the operation of the Tempura heating system together with Valance Plus:
In order to hinder an extended Valance Plus from contacting the radiant heater, it is mandatory to ensure that it is not covered by the Valance Plus fabric. weinor basically recommends **not combining these options.**

Smaila Planning

Site measuring – determining the projection and head clearance height



- Find the projection for the terrace depth in the “Projection” table.
- Read the head clearance height from the “Head clearance height” table with the determined projection and the desired angle of pitch, head clearance is valid for an installation height of 300 cm
- Add/subtract the difference between 300 cm and the actual installation height to/from the head clearance height in the table.

Determining the projection

Pitch	Terrace depth in cm				
	150	200	250	300	350
5°	160	210	260	310	350
15°	160	210	260	320	–
25°	170	230	280	340	–

Projection in cm (rounded figures)

This table can be used to find the awning diagonal for any given horizontal terrace depth.

Determining the head clearance height

Pitch	Projection in cm				
	150	200	250	300	350
5°	276	272	267	263	258
15°	250	237	224	211	198
25°	226	204	183	162	141

Head clearance height in cm (rounded figures)

This table can be used to determine the head clearance heights for different projections at the angles of pitch 5°, 15° and 25°.

This table is based on the example of an installation height of 300 cm (upper edge of awning).

Wall installation

Sizes and bracket recommendations

Wall mounting on pressure-resistant surface

Minimum number of required wall brackets to ensure the function of the awning, independent of the installation surface. Selection of the brackets using the weinor bracket overview and based on the maximum extraction forces of the fixing material applied!

Width in cm	Diagonal in 10 cm steps				
	up to 150	160-200	210-250	260-300	310-350
up to 200	2				
201-250	2	2			
251-300	2	2	2		
301-350	2	2	2	2	
351-400	2	2	2	2	2
401-450	2	2	2	2	2
451-500	2	2	2	2	2
501-550	2	2	2	2	2

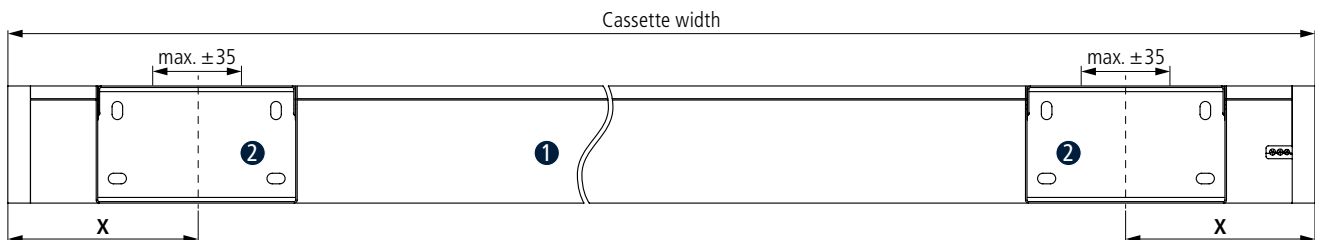


2 2 wall brackets 270 mm

Observe the size limits: the width of the unit must exceed the projection by at least 50 cm!

If a vibration sensor is used, the difference is increased to 65 cm!

Position/placing of wall brackets and Smaila cassette



1 Smaila cassette 2 Wall bracket

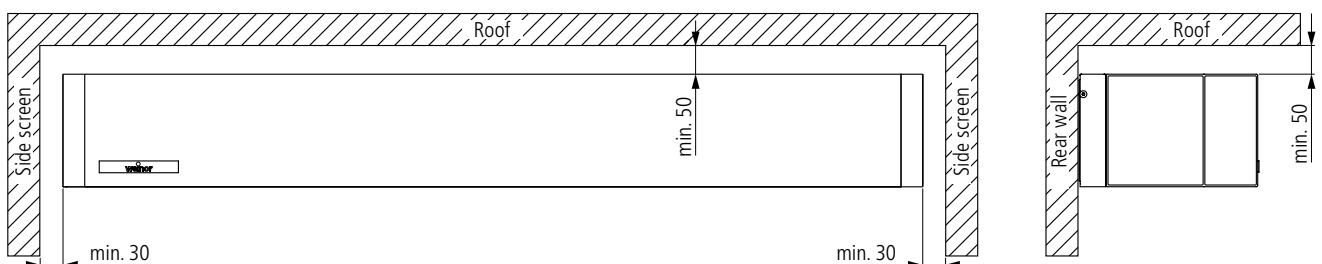
Recess measurement X = 10% of the unit width (standard)

Optional: 200 mm – 600 mm selectable

(Caution: observe size limits/width to projection ratio)

Please note: For the option **“with wall gap profile”**, the bracket cannot be moved any further outwards at a position of 200 mm (max. 35 mm inwards).

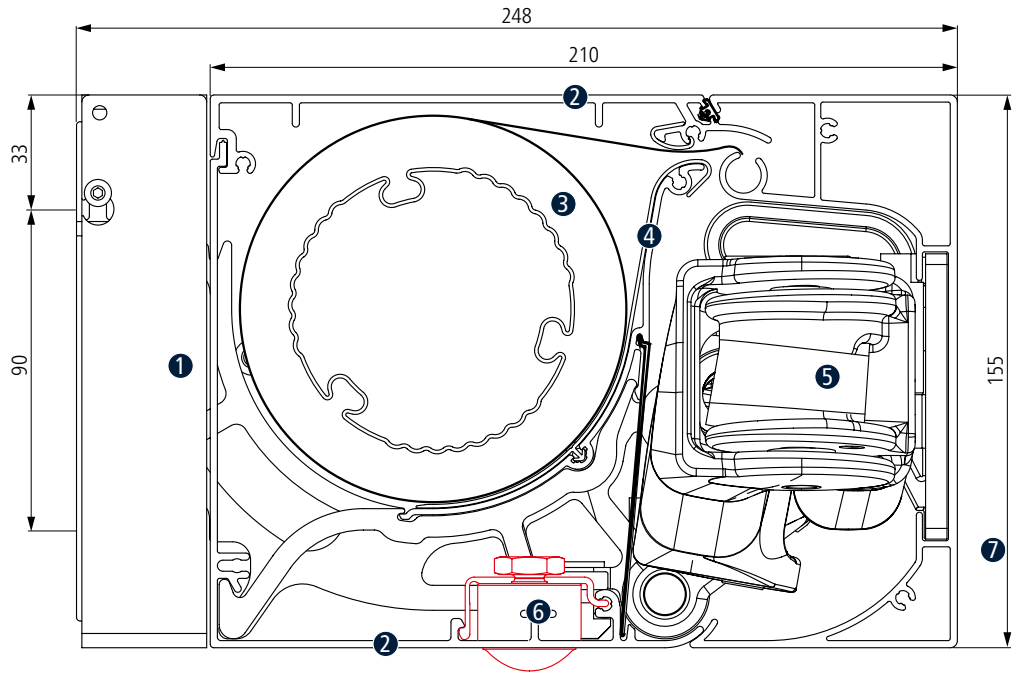
Minimum spacing distances for installation in the niche (wall mounting)



Please note: If installed in a niche, the awning must be deinstalled for servicing.

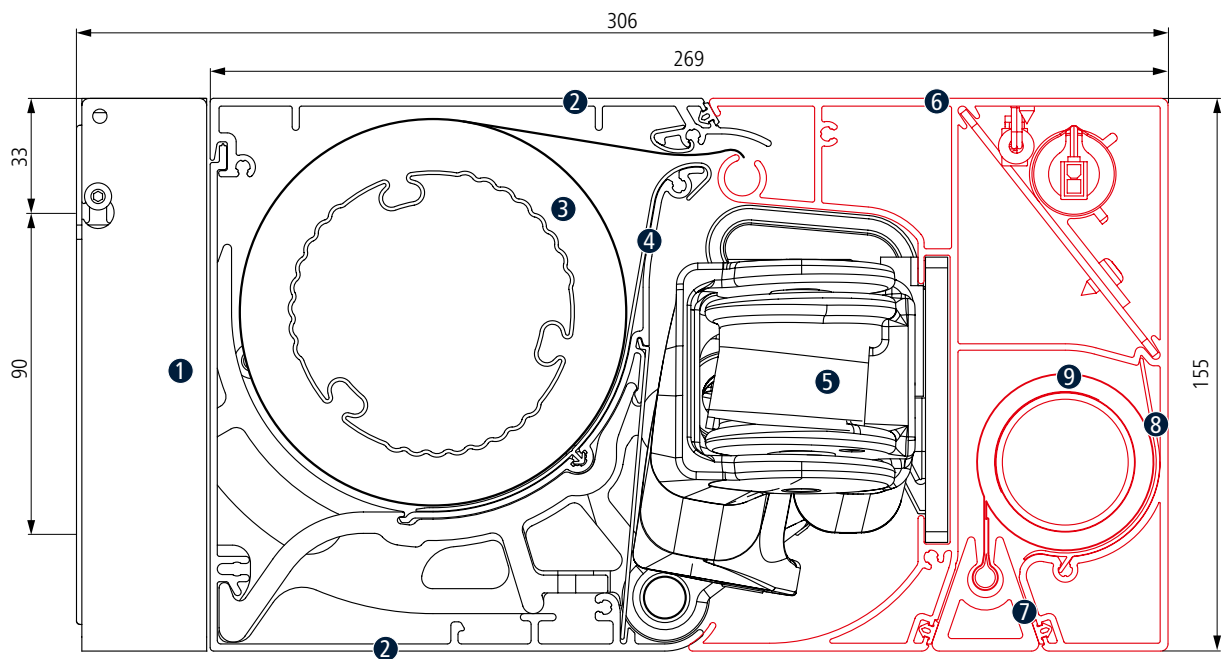
Cross-sections

Smaila LED



- 1 Wall bracket
- 2 Cassette
- 3 Roller tube
- 4 Fabric rolls
- 5 Spring-tensioned arm
- 6 LED spotlight
- 7 Front profile

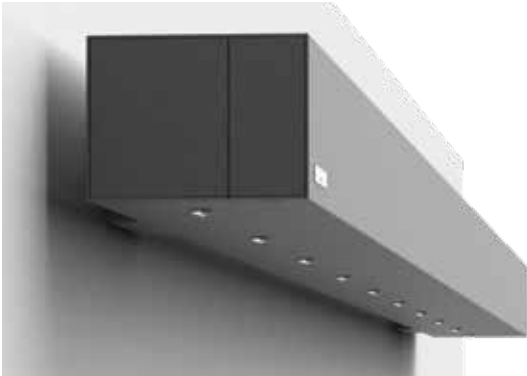
Smaila Valance Plus (cross-section)



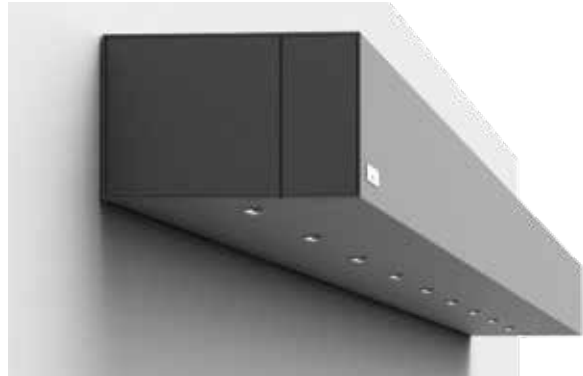
- 1 Wall bracket
- 2 Cassette
- 3 Roller tube
- 4 Fabric rolls
- 5 Spring-tensioned arm
- 6 Valance Plus front profile
- 7 Valance Plus drop bar
- 8 Valance Plus fabric roller tube
- 9 Valance Plus fabric rolls

Figures are in mm

Wall installation – bracket versions



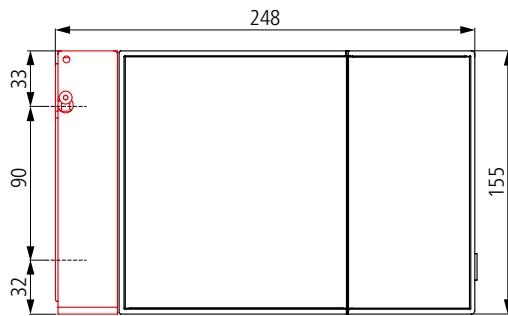
Smaila wall installation using a 270 mm wall bracket (with a cover)



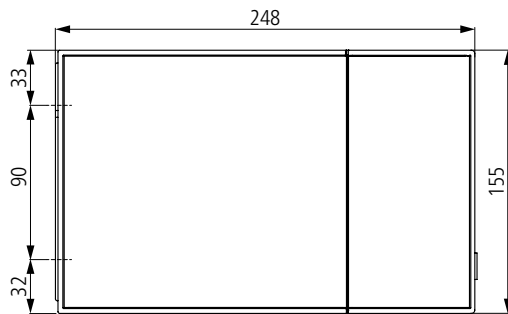
Smaila wall installation with wall gap profile (optional)



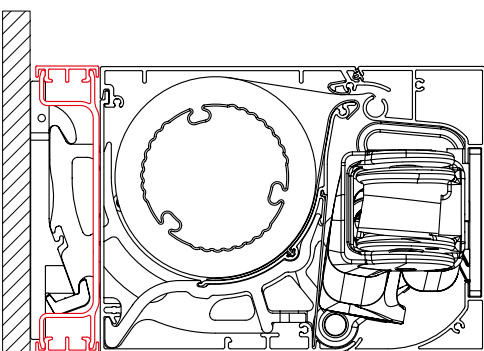
Wall profile (with cover)



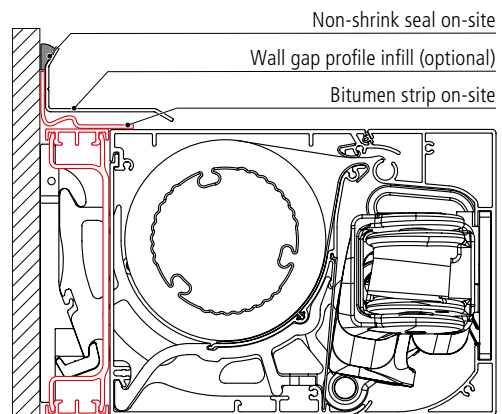
Wall bracket for wall gap profile (optional)



Wall gap profile (cross-section)



Wall gap profile with profile infill (cross-section)

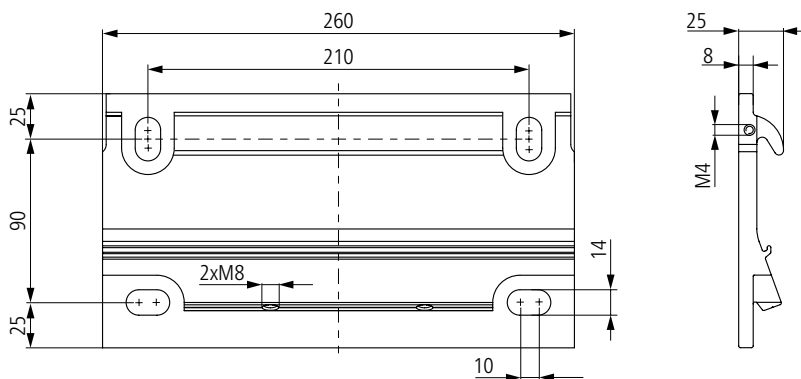


Smaila Installation

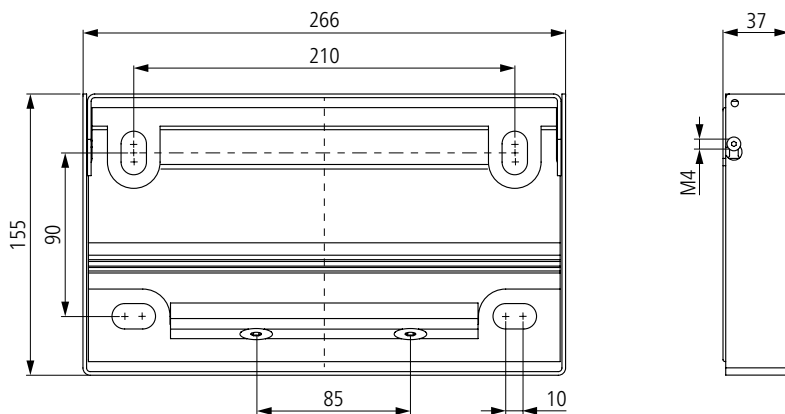
Wall mounting – brackets



Wall bracket 270 mm (without cover)



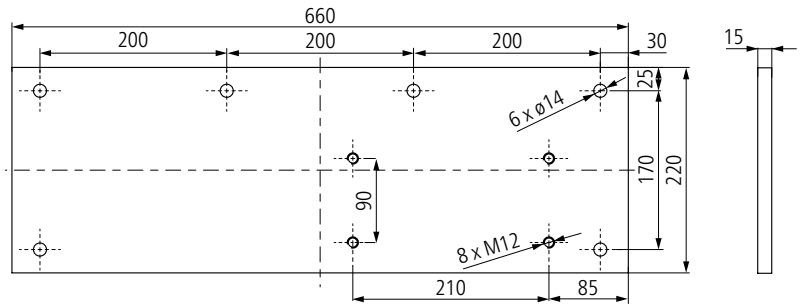
Wall bracket 270 mm (with cover)



Wall mounting – mounting plates



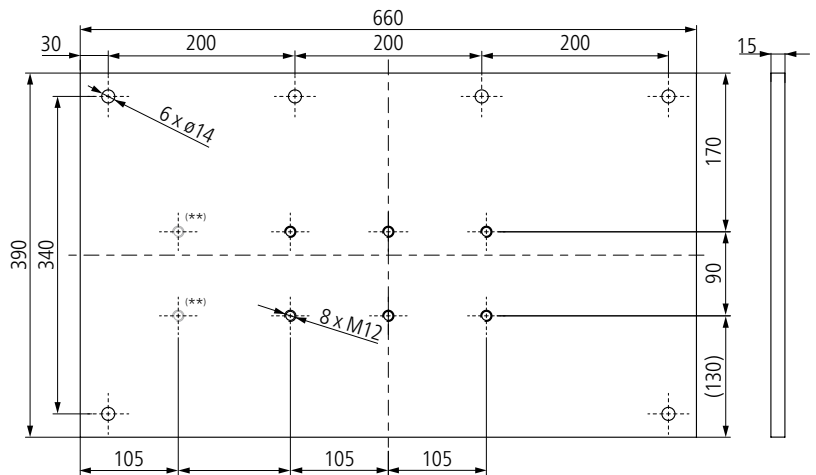
660 x 220 x 15 mm installation plate for wall installation



Position of the installation plate taking Smaila 500 x 300 cm* as an example



660 x 390 x 15 mm installation plate for wall installation



Position of the installation plate taking Smaila 500 x 300 cm* as an example

* Depending on the awning width, the positioning of the installation plates may vary.

** Tapped holes are not required for the installation of the wall bracket 270 mm with a cover.

Smaila Installation

Roof installation



Smaila roof installation



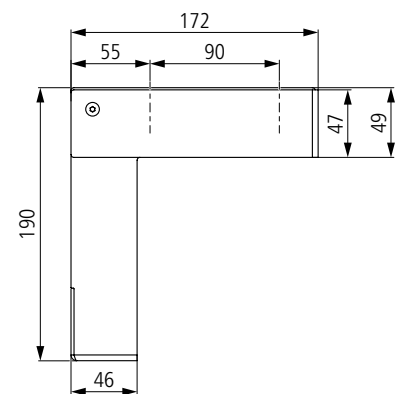
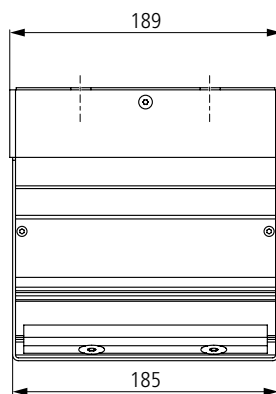
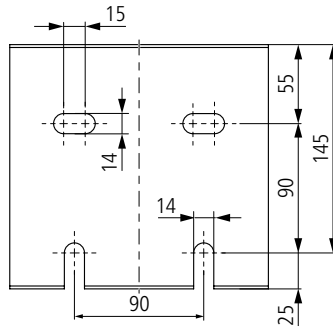
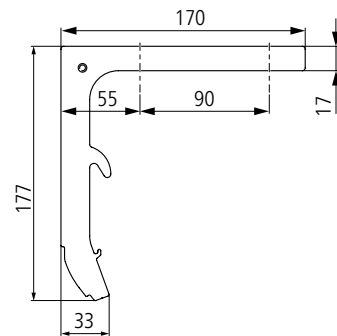
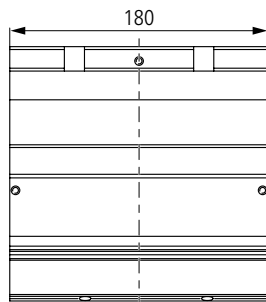
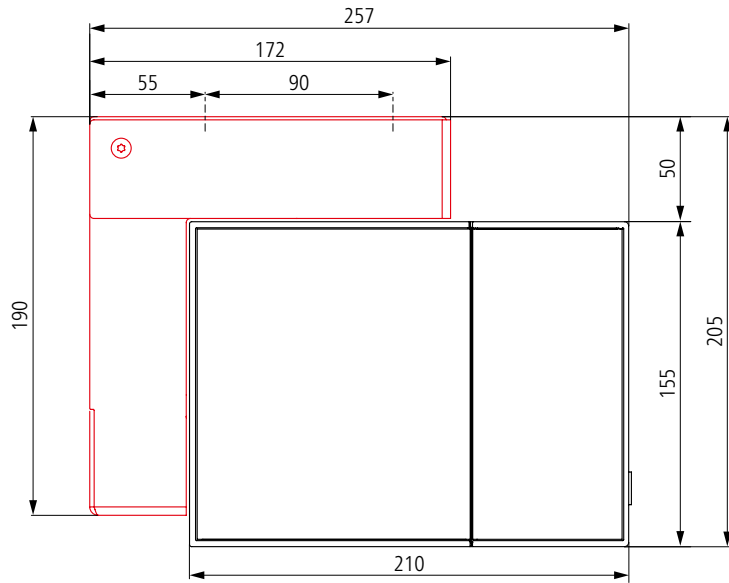
Roof bracket (with cover)



Roof bracket (without cover)



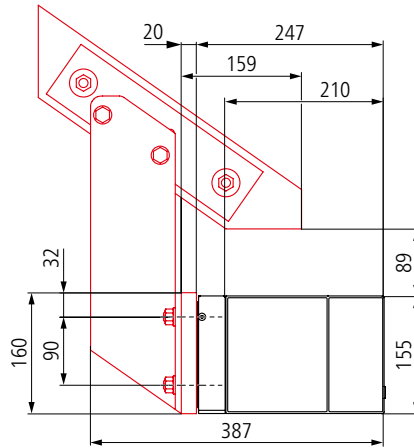
Roof bracket (with cover)



Rafter bracket installation



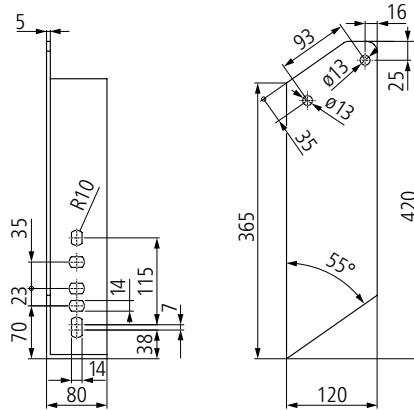
Rafter bracket installation with rafter bracket and a mounting plate



Rafter bracket with installation plate and wall bracket 270 with cover*



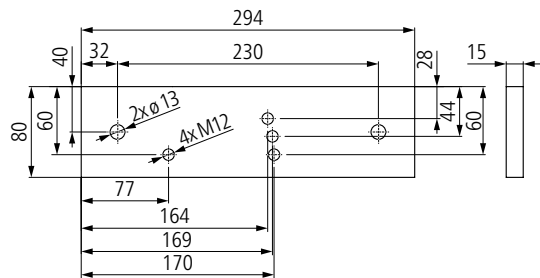
Rafter bracket (right)



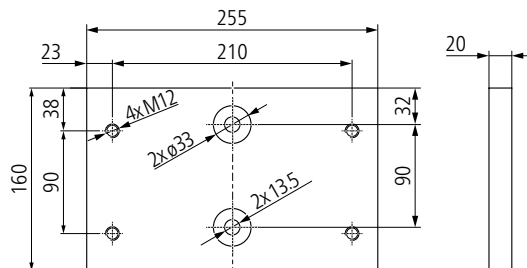
Rafter bracket without installation plate for rafters (right).



Installation plate for 294 x 80 x 15 mm rafter bracket



Adapter plate for rafter bracket 255 x 160 x 20 mm



* weinor recommends using an installation plate for the rafter bracket.

Smaila Installation

Extraction forces

The extraction force is the force with which the weight of the awning and the wind load pull on each upper or front fixing material. The tables indicate this force in N per upper fixing. It varies depending on the awning size and the wall profile/mounting plate used.

Selecting the wall profile and anchoring system:

1. Consult relevant table for extraction force per fixing for selected awning size.
2. Select a wall bracket / installation plate for which a fixing material is available which can resist the indicated extraction force. Here, the spacing and the area which is damaged if the fixing breaks out as well as the fixing material and the mounting base must be taken into account.

Use the separate bracket overview for an exact planning of the awning attachment.

Extraction force in N per upper fixing material for wall bracket

Brackets **without/with** installation plates

Wall installation with up to 200 mm facing (non-pressure-resistant surface)

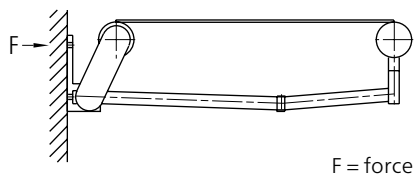
Please observe the width to length dimension limits.

The extraction forces the version "with Valance Plus" can be found in the bracket overview!

1 wall bracket 270 mm
Number of fixing materials: 8

1 installation plate
660 x 220 x 15 mm incl.
1 wall bracket 270 mm
Number of fixing materials: 12

1 installation plate
660 x 390 x 15 mm incl.
1 wall bracket 270 mm
Number of fixing materials: 12



Width in cm	Projection in cm				
	150	200	250	300	350
200	726				
	195				
	195				
250	851	1259			
	228	337			
	228	337			
300	976	1445	2018		
	262	386	539		
	262	386	539		
350	1101	1631	2276	3066	
	295	436	607	818	
	295	436	607	818	
400	1227	1817	2533	3406	4322
	329	486	676	908	1151
	329	486	676	908	1151
450	1352	2003	2791	3746	4755
	362	535	745	999	1267
	362	535	745	999	1267
500	1477	2189	3049	4086	5834
	396	585	814	1090	1554
	396	585	814	1090	1554
550	1602	2375	3307	4427	
	429	635	883	1180	
	429	635	883	1180	



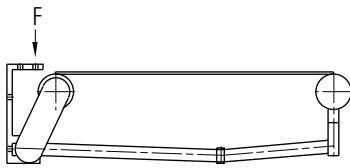
Extraction forces / Shear forces

Extraction force in N per front fixing material for roof mounting

Please observe the width to length dimension limits.

The extraction forces for the version "with Valance Plus" can be found in the bracket overview!

- 1 x ceiling bracket 190 mm complete (single-part) with cover
Number of fixing materials: 8



F = force

Width in cm	Projection in cm				
	150	200	250	300	350
200	524				
250	610	875			
300	695	1000	1374		
350	780	1125	1546	2064	
400	866	1250	1717	2289	2889
450	951	1374	1888	2514	3175
500	1037	1499	2060	2739	3872
550	1122	1624	2231	2964	

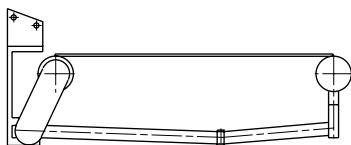


Shear forces in N per fixing material for rafter installation

Please observe the width to length dimension limits.

The shear forces for the version "with Valance Plus" can be found in the bracket overview!

- 1 rafter bracket with
1 adaptor plate for rafter bracket incl.
1 x wall bracket 270 mm, respectively one left or right version
- 1 rafter bracket with
1 installation plate for rafter brackets with
1 adapter plate for rafter brackets incl.
1 wall bracket 150 mm, respectively one left or right version



Width in cm	Projection in cm				
	150	200	250	300	350
200	1577				
	717				
250	1839	2643			
	830	1157			
300	2101	3024	4151		
	943	1318	1777		
350	2362	3405	4673	6227	
	1056	1480	1995	2628	
400	2624	3786	5195	6910	8703
	1169	1641	2213	2911	3638
450	2885	4168	5717	7593	9568
	1282	1802	2432	3195	3995
500	3147	4549	6238	8276	11707
	1395	1964	2650	3478	4867
550	3408	4930	6760	8959	
	1507	2125	2868	3761	

In the case of rafter mounting, the fixings are included in the order.
weinor recommends the use of rafter brackets with installation plate!



