



Simply Cell.

2022

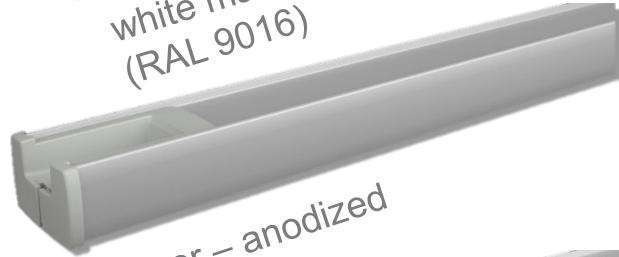
Head Office + Showroom
25 Richmond Rd Homebush NSW
Freecall Aust: 1 800 254 631
NZ Phone: +64 9 302 2499
www.petermeyerblinds.com.au



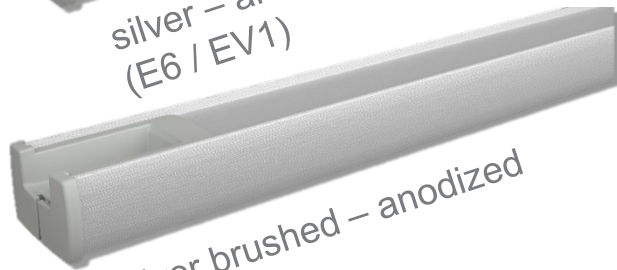
2022 | Profile Colours.



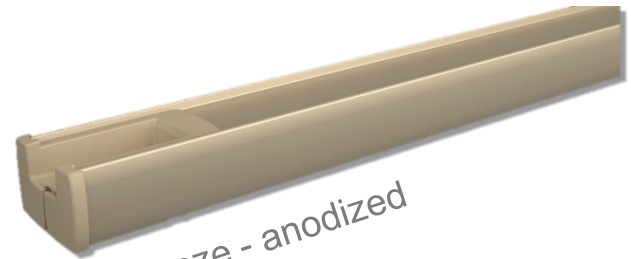
white matt – powder-coated
(RAL 9016)



silver – anodized
(E6 / EV1)



silver brushed – anodized
(E6 / EV1)



bronze - anodized
(E6 / C32)



anthracite matt – powder-coated
(RAL 7016)



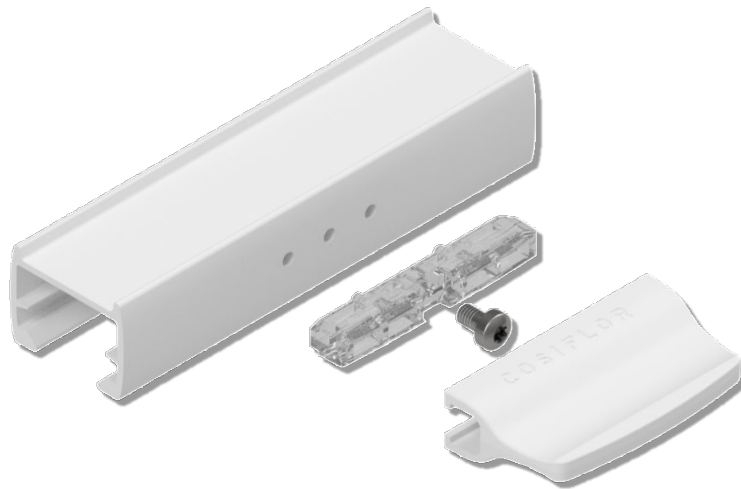
black-brown matt – powder-coated
(RAL 8022)

Plastic components match the color of the profile!

2022 | Handles.

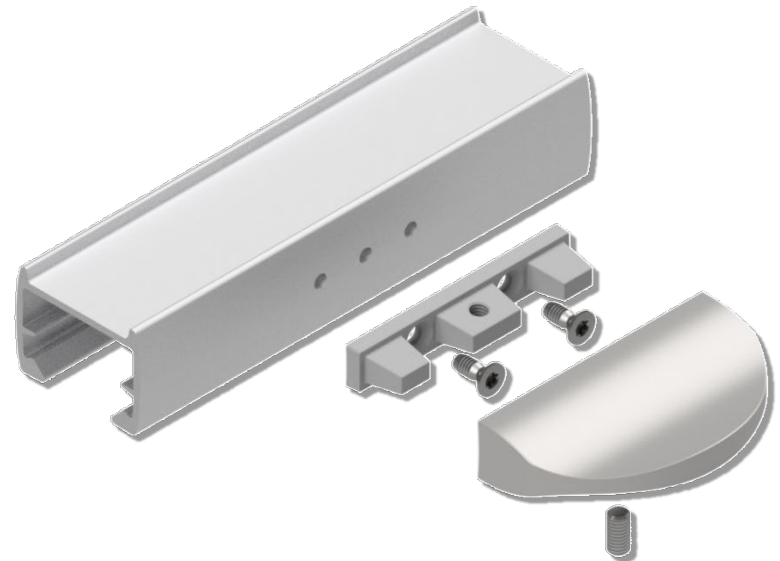
Handle (plastic)

- Only one handle adapter for all profiles, so the handles are always centered in height
- The handle will be connected to a mini adapter so it doesn't built much height on the handle bar
- The handle is also suitable for operating rod



Design Handle (metal)

- the design handle sits on the same position like the plastic handle and can thereby be upgraded
- special lower adapter made of metal so it doesn't built much height on the handle bar
- the handle adapter is completely covered by the design handle



2022 | Assembly Variations.



Tensioning Shoe Beading



Bracket



Adhesive Rail



Tensioning Shoe Adhesive



Clamp Bracket



Clip



4 Beading Bracket

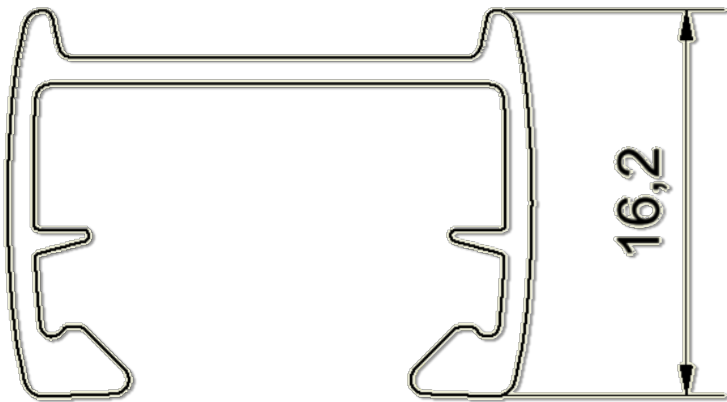


Clamp Bracket Slim

2022 | General Advantages.

Profile Design

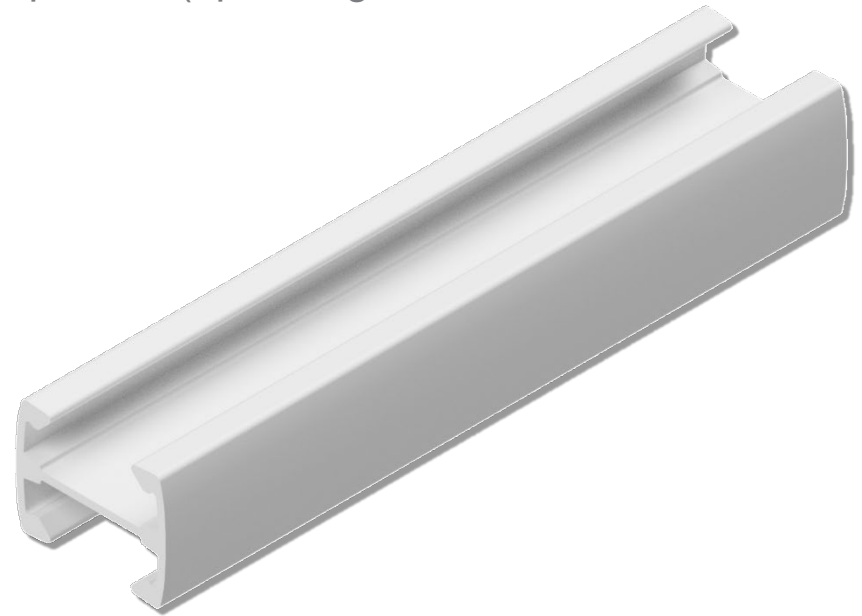
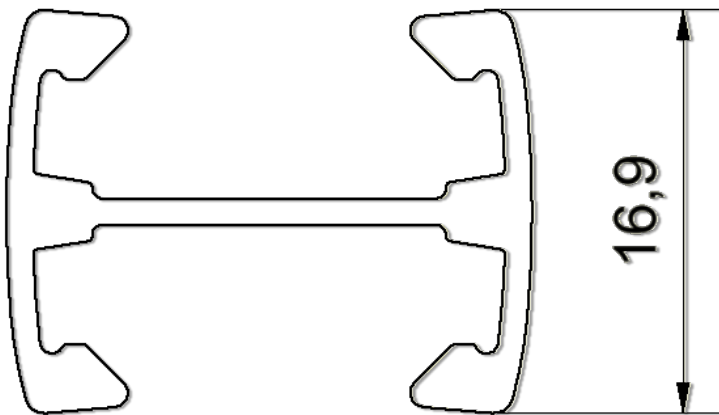
- Modern & timeless
- Complete closed profile made of full aluminum (no cover strip needed); very easy to clean
- Lower and more stable than our current profiles (operating rail = 16.2 mm / 2-channel rail = 16.9 mm)
- No visible clip edges along the profiles



2022 | General Advantages.

Profile Design

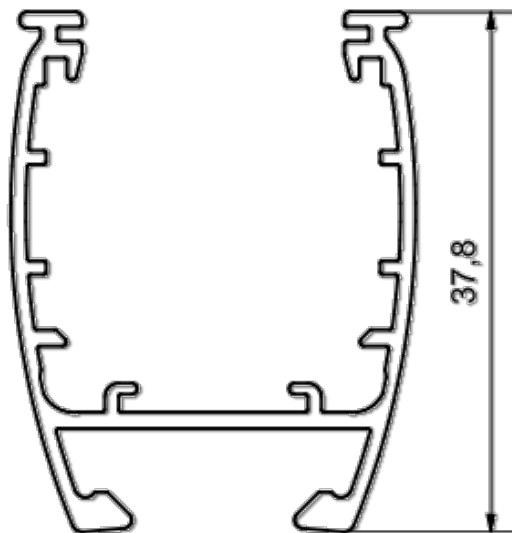
- Modern & timeless
- Complete closed profile made of full aluminum (no cover strip needed); very easy to clean
- Lower and more stable than our current profiles (operating rail = 16.2 mm / 2-channel rail = 16.9 mm)
- No visible clip edges along the profiles



2022 | General Advantages.

Profile Design Chain Block | Crank | Electric Profile

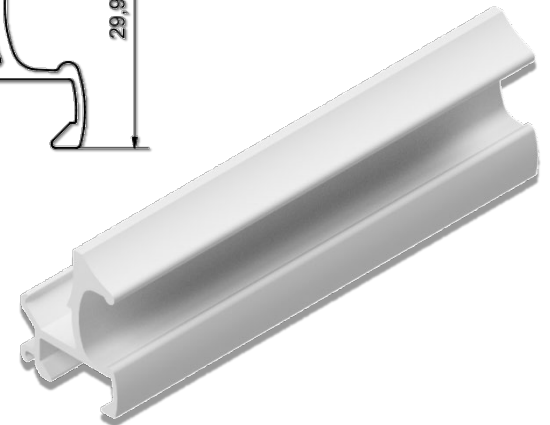
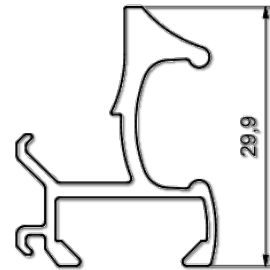
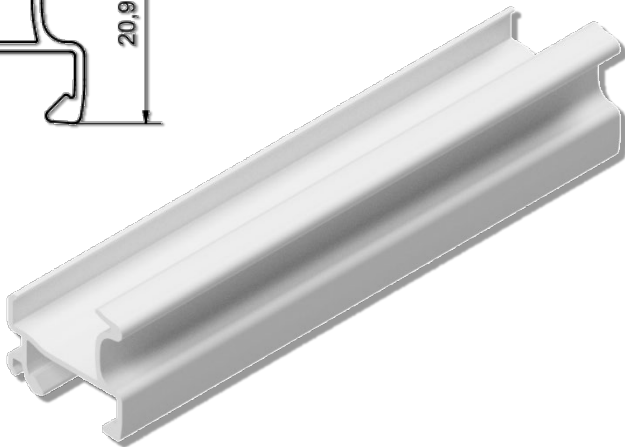
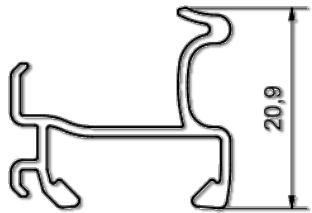
- Modern & timeless
- Visual adjusted to operating rail VS and rail 2-channel
- External clip edges
- Lower profile height than existing profile by 1.4mm.



2022 | General Advantages.

Profile Design VS 2 Slide | VS 2 Slide Comfort

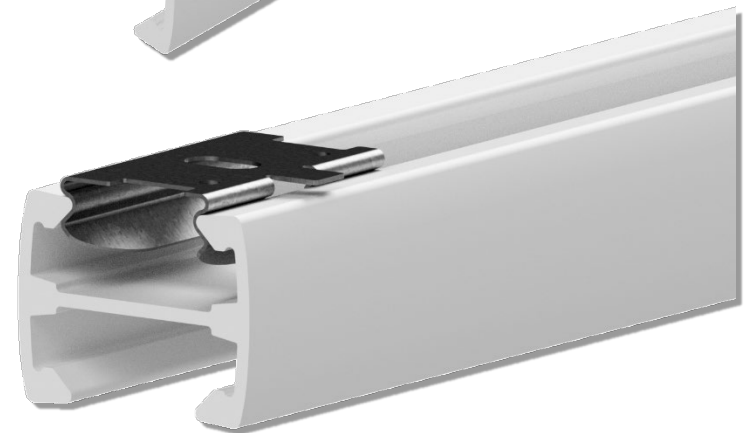
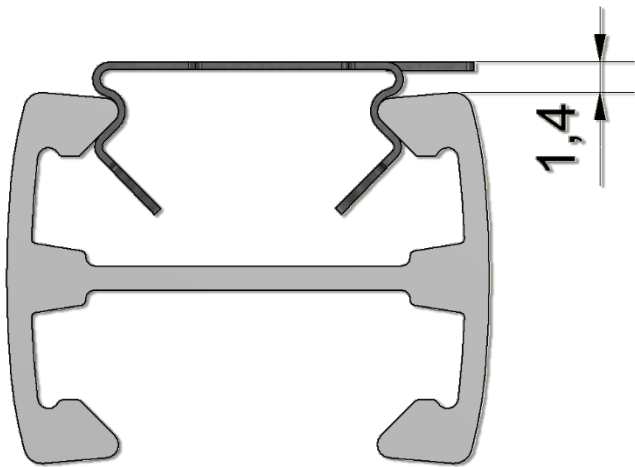
- VS 2 slide and VS 2 slide comfort come with handle bar, different heights for different size range
- VS 2 slide comfort with magnetic fixing
- VS 2 slide and VS 2 slide comfort in grey powder-coated



2022 | General Advantages.

Clip

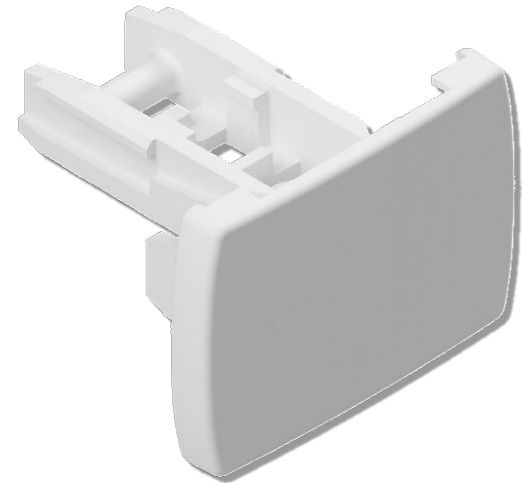
- Internal bracket clip (almost hidden inside the profile)
- No visual clip edges on profiles
- Only 1.4 mm space between clip and beading / bracket
- Limit stop for damage free dismounting
- Suitable for wedges



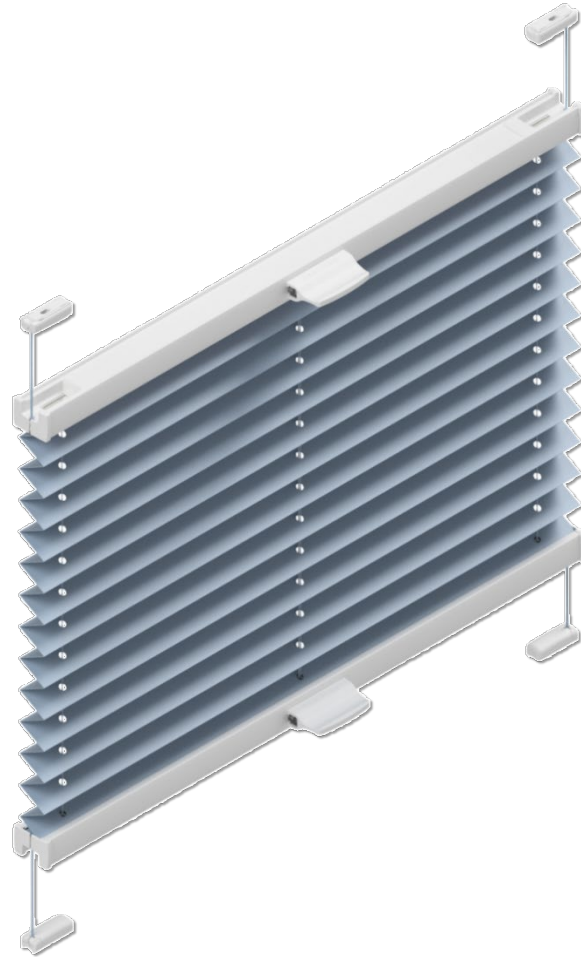
2022 | General Advantages.

End Caps

- The end caps are completely closed
- Fabrics can still be produced wider as the fixing profile (fabric breakthrough is sealed only with a thin plastic coat)
- All end caps will be held by a pin in the profiles. The fixing profile is not clamped in the profile / no fabric compression.
- All end caps have an overlap (no cutting edges from profile visible)



2022 | Advantages VS 1 – 3.



2022 | Advantages VS 1 – 3.

Tensioning Shoe

- Will be delivered as separate parts (upper part, bottom part and screw separate)
- Only two different tensioning shoe upper parts
- In production, only the upper part of the tensioning shoe will be attached, regardless of the installation situation (clamp bracket slim excluded; clear reduction of error risk; faster production)
- Magnets with strong holding force (better than any competitor)
- Adhesive version for systems till 2m²; System can be installed 10 minutes after adhesive tensioning shoe is mounted
- Anti twist device holds tensioning shoe bottom part in position



2022 | Advantages VS 1 – 3.

End Caps

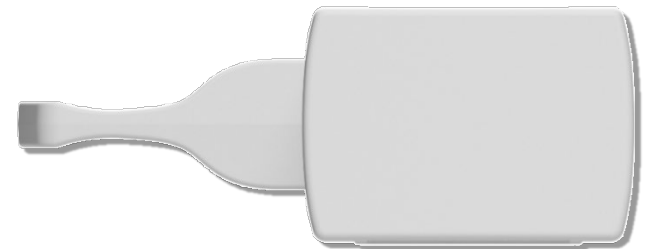
- Internal metal guide ensures the cord cannot get damaged.
- With magnetic fixing
- End caps are locked in profile; impossible to pop out
- Cords are secured and can't be pulled out



2022 | Advantages VS 1 – 3.

Handle

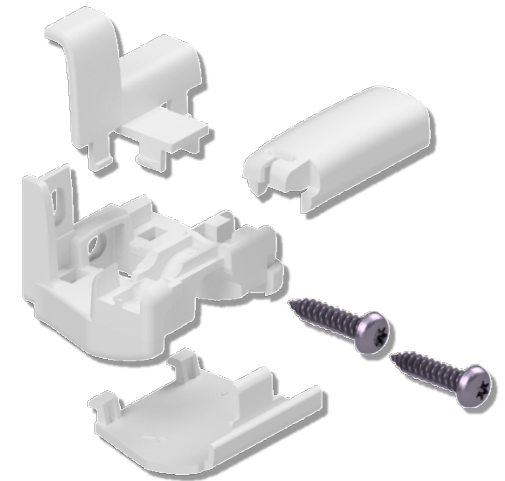
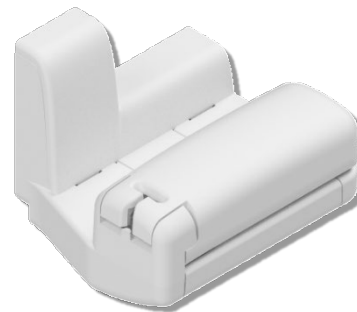
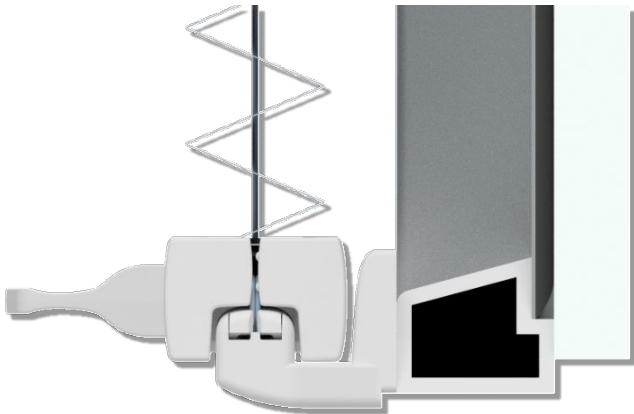
- Only one handle adapter for all rails; mini adapter (builds up less)
- Reducing of packing size
- Handles are placed always central, regardless of which profile
- The handle is also suitable for operating rod



2022 | Advantages VS 1 – 3.

Beading Bracket

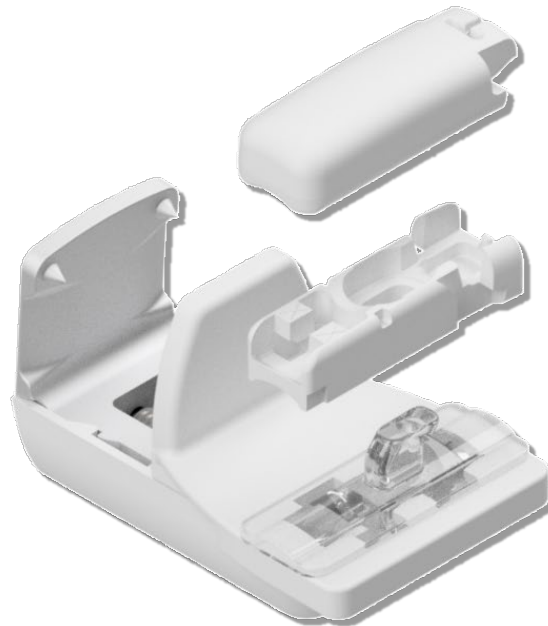
- Profile overlap the beading 5 mm more than previous system; less scattered light will get in the room
- Will only be packed in the accessories; tensioning shoe upper part just gets clicked
- Installation in the corner of the beading



2022 | Advantages VS 1 – 3.

Clamp Bracket VS 2

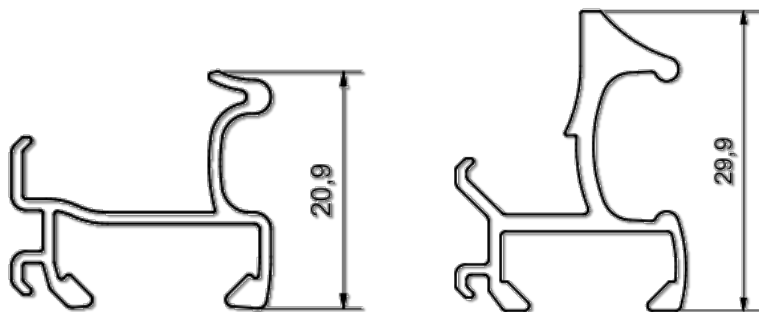
- New clamp bracket with quick fixation for tensioning shoe; no screwing of lower tensioning shoe necessary
- Significant mounting time reduction



2022 | Advantages VS 2 Slide | VS 2 Slide Comfort | VS 2 KL.

VS 2 slide | VS 2 slide comfort | VS 2 KL

- VS 2 slide and VS 2 slide comfort come with handle bar, different heights for different size range
- VS 2 slide comfort with magnetic fixing
- The handle bar for VS 2 slide and VS 2 slide comfort operates completely over the tensioning shoe. There is no light gap.
- Tensioning shoe fits visual to adhesive rail KL
- VS 2 slide and VS 2 slide comfort in grey powder-coated



VS 2 KL

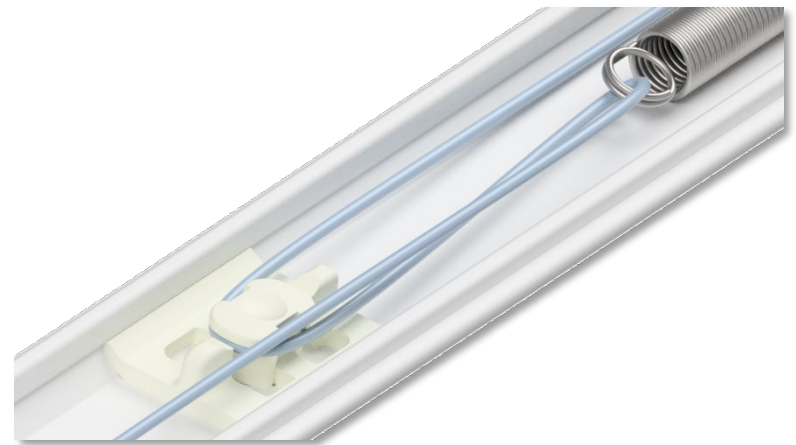
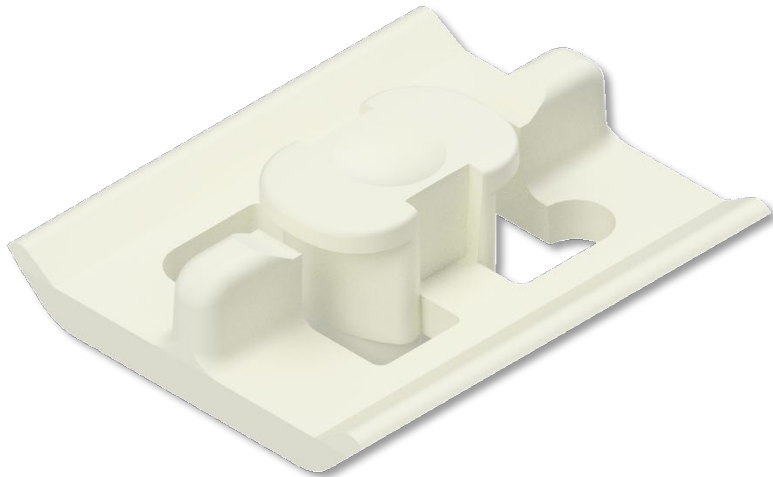


VS 2 Slide

2022 | Advantages VS 1 – 3.

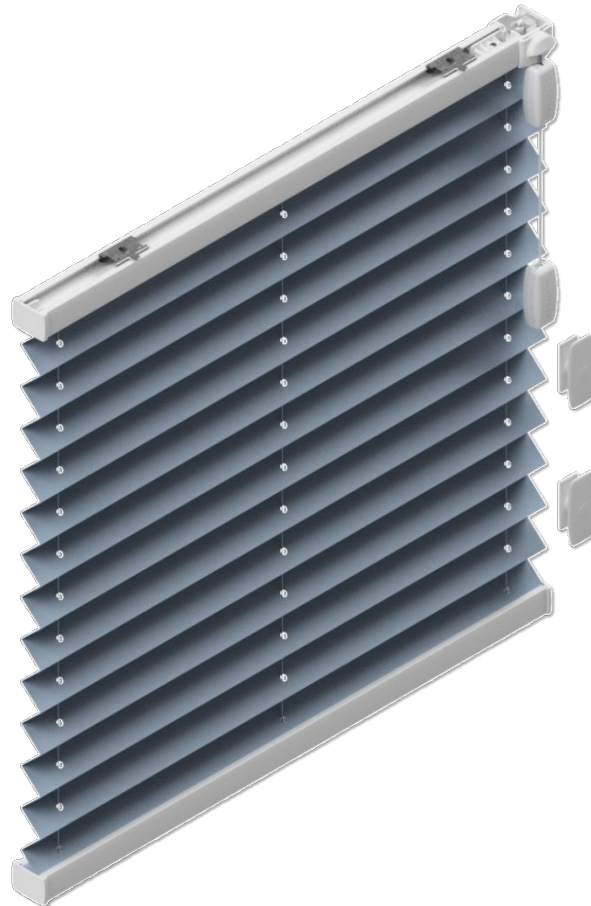
Production

- Cord reverse drive for stabilization; fast production time and flexible placing due to the fact that spring and cord reverse drive are separate
- Minimal material costs
- Can be placed manually or automatically with the PDU (adjustment necessary)
- Significant less production time





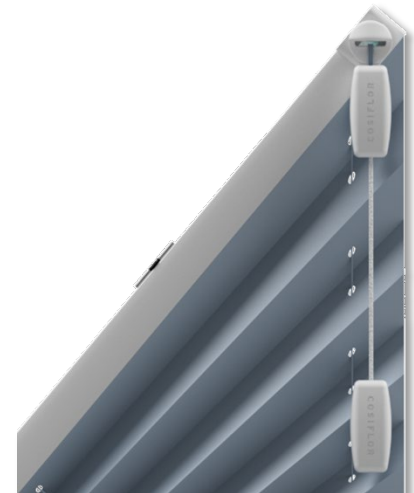
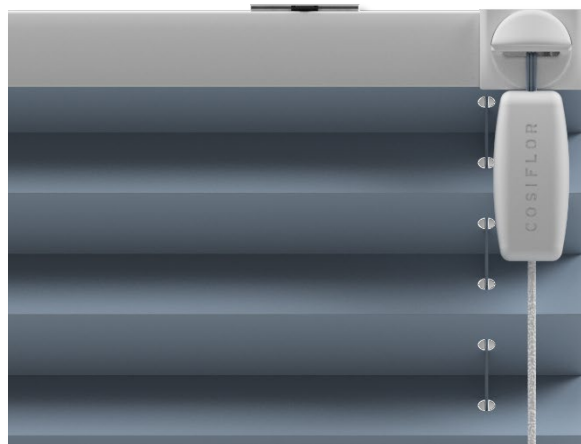
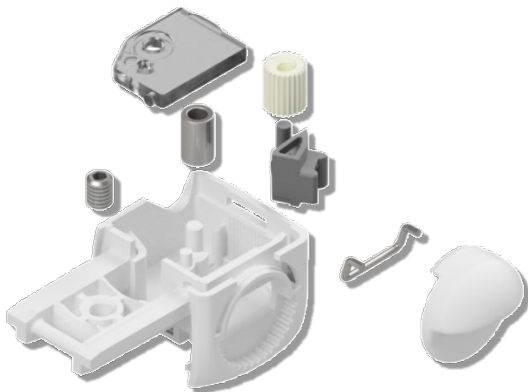
2022 | Advantages F1 – 3.



2022 | Advantages F1 – 3.

Cord Lock

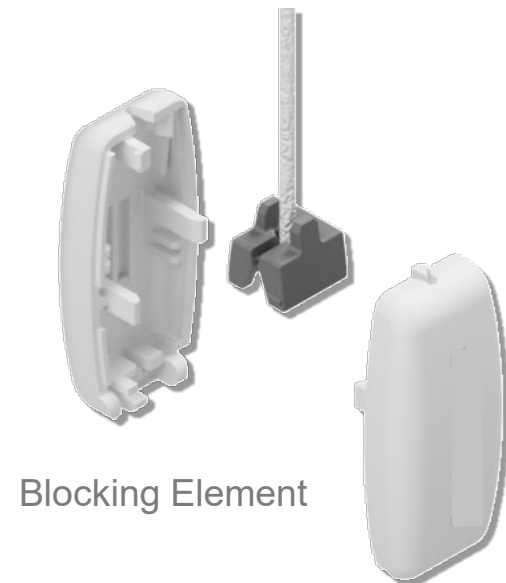
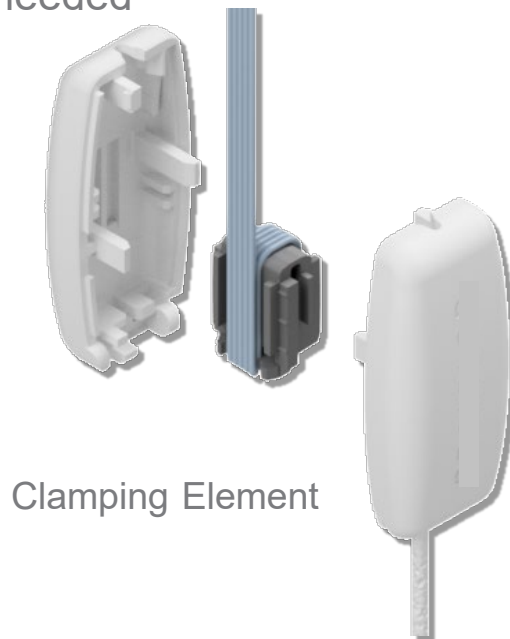
- No longer the pendulum style cord lock
- Will be delivered as an assembled set (no packing of single parts)
- Operation is possible in every direction. For closing, pull the cord in vertical position. For opening, always pull in center position (open angle 25°)
- With adjustable cover for Slope systems
- Fast reaction time, when cord tassel get's released



2022 | Advantages F1 – 3.

Cord Tassel & Cord Tassel “Child Safety”

- New technological solutions for up to 7 cords
- With and without Child Safety function
- Easy and fast installation even for end user
- Production time for the cord tassel reduced by more than 50%; no knotting of cords needed



2022 | Advantages F1 – 3.

Pendulum Protection

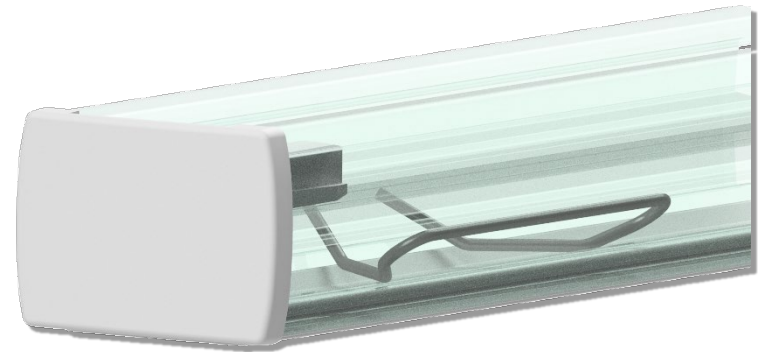
- New technical solution
- Smaller components
- First mount the lower part and then slide the upper part on



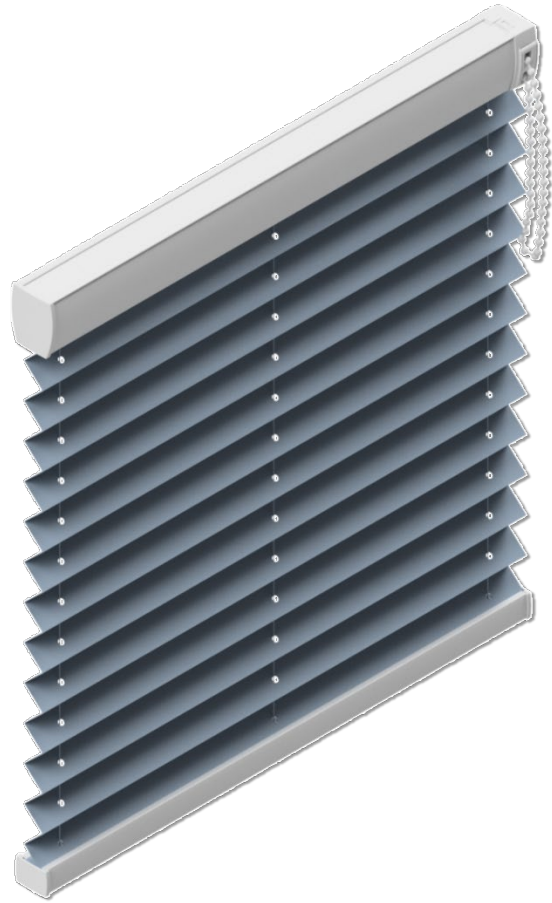
2022 | Advantages F1 – 3.

Overall

- Bottom rail with internal cover strip
- Additional height adjustment (+ / - 5mm) possible or an individual knotting of the cords in bottom rail on a bail; each cord can be adjusted for minute adjustments.



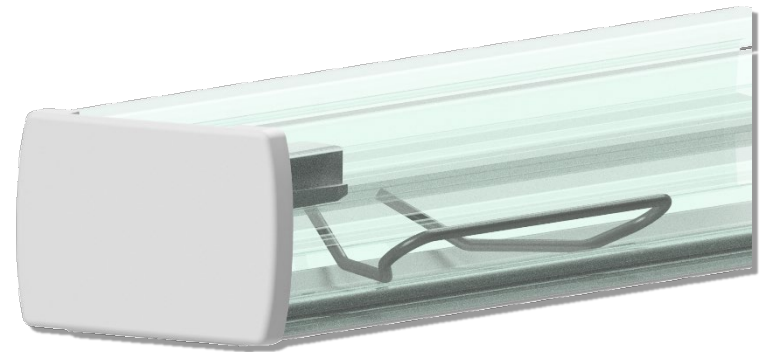
2022 | Advantages F4.



2022 | Advantages F4.

Gear Unit

- Profile shape is common across motorised and skylight models.
- Gear unit has integrated with Child Safety function – removable chain under load.
- Each cord will be knotted in the bottom rail individually making cords easily adjusted.
- Gear ratio for comfortable handling even with heavy systems.
- New drive engine/ cone technic is planned for 2023



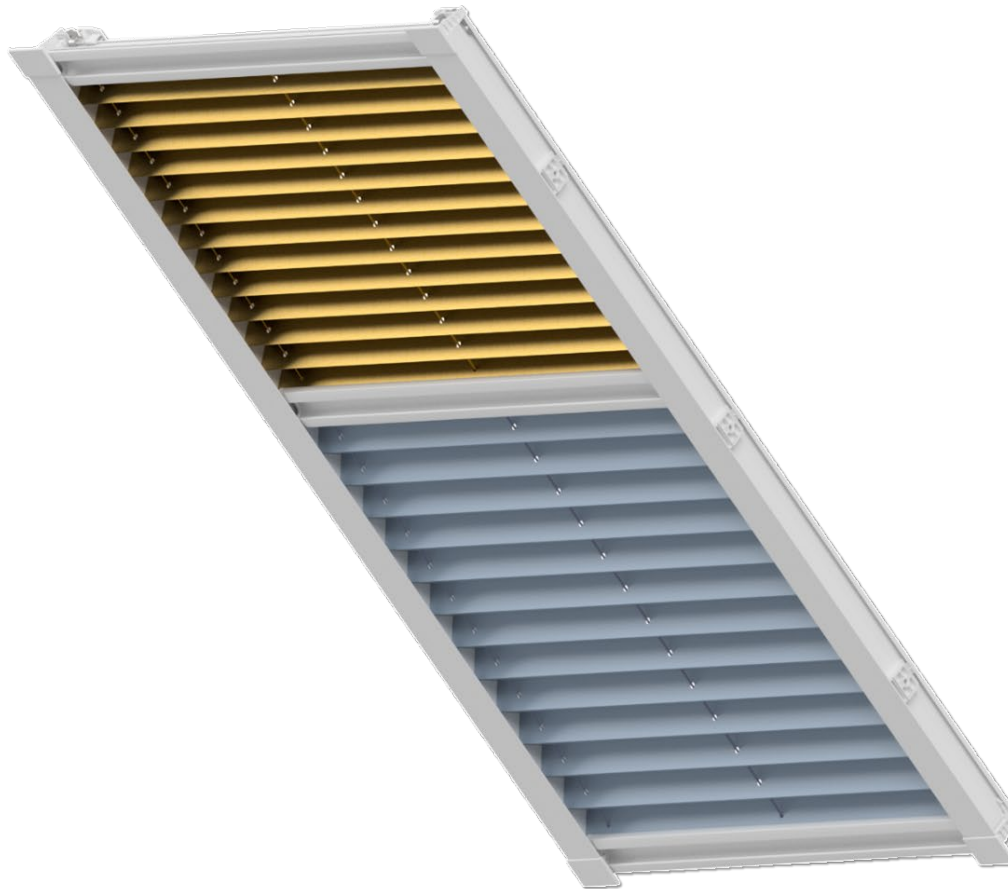


2022 | Advantages FE (Motor Concepts).

Motors

- Available motors
 - 24 V hardwired for FE, PLE 12
 - 7,4 V battery motor for FE A

2022 | Advantages DF Comfort.



2022 | Advantages DF Comfort.

Overall

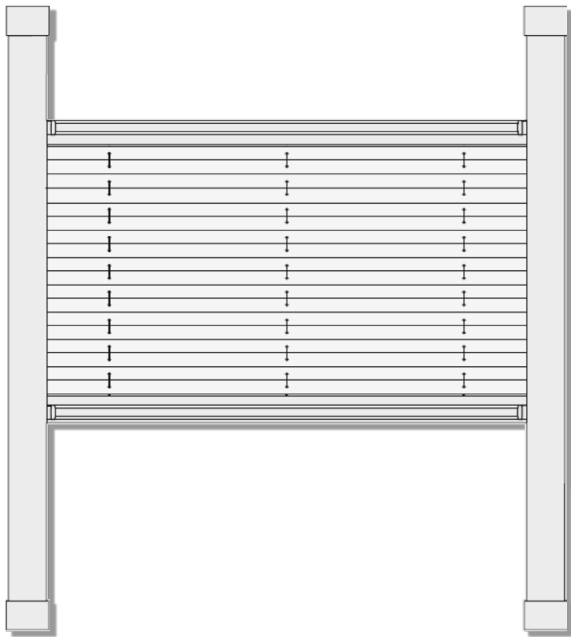
- Only models without fixed head rail
 - DF Comfort 20
 - DF Comfort 30 with 3 movable rails
- Specific components for DF are reduced significantly
- Small guide bar with large fabric overlapping
- DF Comfort 20 with magnetic fixing possible (size limitations)
- Optional brush strip
- Guide bar as U-profile, thereby obvious less scattered light
- Invisible mounting



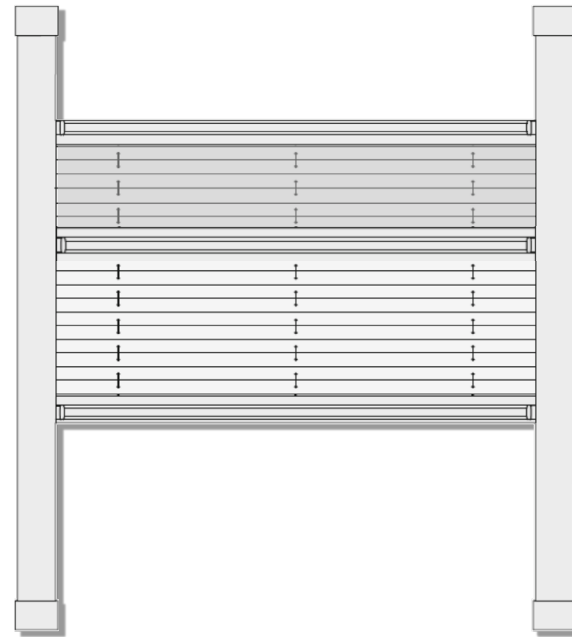
2022 | Advantages DF Comfort.

Only models with a fixed rails

- DF Comfort 20
- DF Comfort 30



DF Comfort 20





2022 | Fabric Collection.

Structure of collection:

- 190 Honeycomb Fabrics
- 11 Collections cards sorted by colour

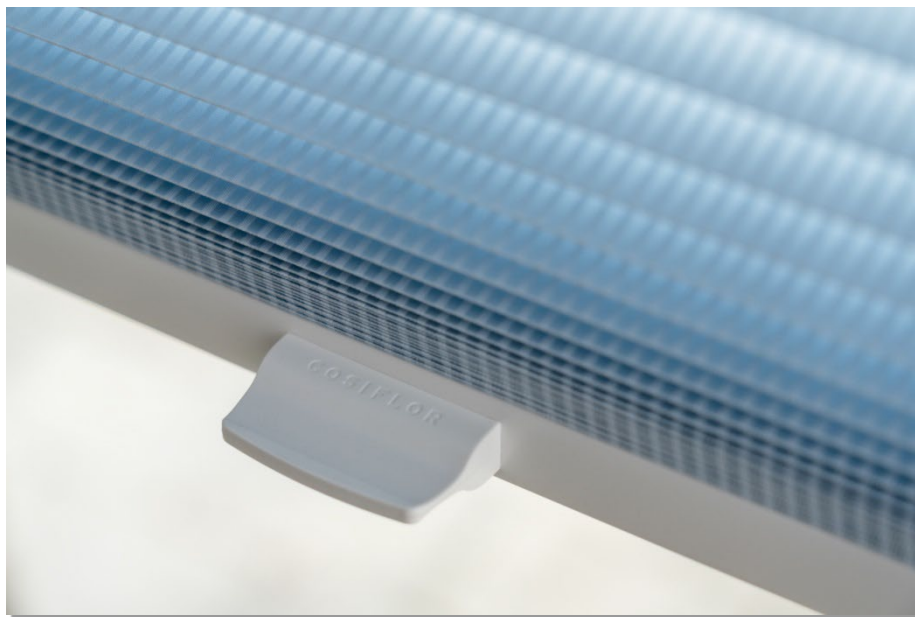
4 fabric densities:

- Blockout, Sheers, Light Filtering and Dimouts
- Across 5 Price Groups



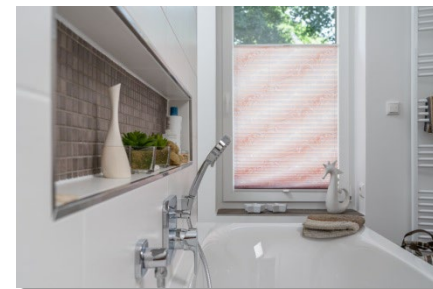


Impressions.





Impressions.



Thank You.



Head Office + Showroom
25 Richmond Rd Homebush NSW
Freecall Aust: 1 800 254 631
NZ Phone: +64 9 302 2499
www.petermeyerblinds.com.au



Last Updated: 20 May 2022

QUALITY + DESIGN EXCELLENCE