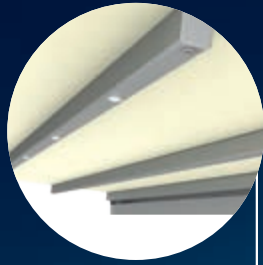


Pergola awning

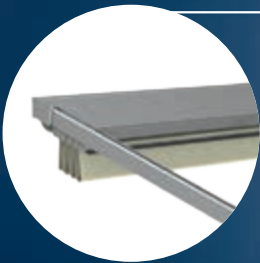
weinor PergoTex II

weinor PergoTex II LED | Basic | LED Basic

An open air feeling meets wind and weather protection – with the flexible **weinor PergoTex II** pergola awning. When it is open, it offers an open air feeling like a convertible and an unobstructed view to the starlit sky in the evening or at night. When it is closed, it protects against rain and provides sun and UV protection. Thus, you can use your patio in two ways. The elegant, high-quality self-supporting construction has been designed based on the proven weinor technology and it can easily withstand even high wind loads. The PVC awning material has a very high tensile strength, can be extended and retracted by means of a drive and, on request, is also available as a translucent, light-transmitting version – for a magic atmosphere on your patio.



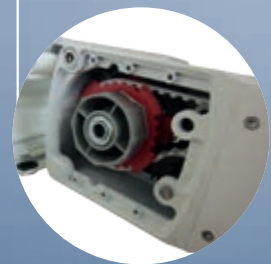
**weinor
PergoTex II / LED:**
Integrated lighting



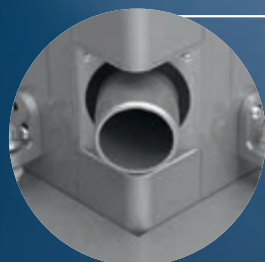
Fabric protection roof:
Noise reduced



Wall gap sealing profile:
Easily accessible adjustment area



Sturdy pull system:
Smooth extending
and retracting



Variable water outlet:
Individual height
adjustment

weinor PergoTex II Highlights

02



Dripping water drainage:
Controlled water drainage



Rain gutter and posts:
Controlled rain drainage

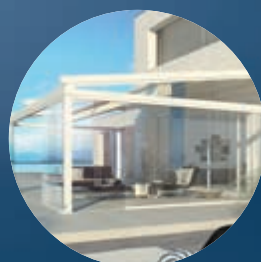


Straightforward, functional design:
Posts with integrated, easily accessible water drainage

Convertible folding system in 2 versions:

- weinor PergoTex II
- weinor PergoTex II Basic

Modular system:
Convenience and weather protection



weinor PergoTex II Benefits



Convertible folding system – rain-proof, wind-resistant and retractable

- Waterproof: light-proof or light-transmitting PVC fabric with high tensile strength
- Pitch from 0° to 25° possible
- Ideal water drainage already from a pitch of 8° (no risk of pooling)
- Elegant design without screws in directly visible areas
- Robust: suitable for wind loads up to force 6 on the Beaufort scale (approx. 45 km/h)
- Easy installation: only a few tools required, with pre-assembled adhesive seals
- Easy installation of the continuous wall profile (similar to Terrazza)



Rain gutter and posts – controlled rain drainage

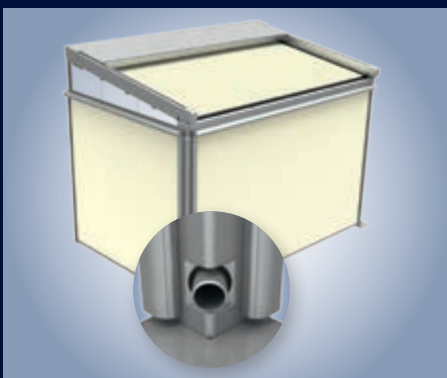
- Controlled water drainage from the aluminium fabric safety shield over the side channel in the large gutter in the front area, and thus reduced soiling of the fabric
- Two-part posts:
 - Leads for add-on products can be installed in the posts
 - Water drain pipe can be easily accessed for servicing
- Lateral small gutter along the side channel with separate groove for cable routing



Sturdy and robust drive system – smooth operation with excellent tension

The proven drive system with heavy-duty and durable lasting components ensures really smooth, continuous extending and retracting.

- Highly resistant toothed belt with ball bearings
- Extremely quiet rollers
- Almost all visible covers are made of aluminium cast in the system's colour



Variable water outlet

The square posts ensure easy dimensioning and fastening of the glazing elements.

The two-part post design makes it possible to individually adapt the height of the water outlet during the assembly on site.

weinor PergoTex II Benefits



- ① Open wall gap sealing profile adjustment area (with LED option)
- ② Wall gap sealing profile adjustment area (without LED option)

Continuous wall connection profile – easily accessed and easy adjustments

The wall gap sealing profile screwed to the wall is used to attach the side channel, the rain shield and the electronics. The electronic components are installed in the wall gap sealing profile and behind cover strips so that they are concealed, but can still be easily accessed for servicing. This makes it possible to have the maintenance work carried out easily and quickly and facilitates servicing work on control components. In the case of the order option "without LED", the wall bracket is equipped with the mounting plate, but is delivered without the transformer/receiver bar. The order option "LED" additionally includes the transformer/receiver bar (window strip) to attach the LED components.

02



New high-quality aluminium safety shield with separate guttering

- Very robust aluminium fabric safety shield designed as a chamber profile (noise-reducing during rain)
- The fabric safety shield can be optionally reinforced for higher snow loads
- Rainwater runs off via the front gutter to the right and left into the lateral gutters along the side channels in a controlled manner
- Easy to clean (smooth surface)
- Reduced soiling of the fabric due to the guttering on the aluminium safety shield



HighPower LED spotlights – for an amazingly beautiful atmosphere

On request, dimmable HighPower LED-single spotlights can be integrated into the transoms.

- Invisible cable routing in the fabric seams
- LED spotlights dimmable with BiConnect radio control
- 30,000 LED light hours with lowest energy consumption (85% electricity saving compared to halogen technology)
- Fixed spacing:
 - 500 mm between the LED spotlights on the transoms
 - A maximum of 12 LED spotlights per transom
 - A maximum of 4 staves with LED

weinor PergoTex II Benefits



Modular system – even more convenience and better weather protection

Very easy to add and retrofit elements to the weinor PergoTex II system:

- All-glass glazing elements
- Vertical awnings
- The dimensions and shape of the guttering and the posts have been designed in such a way that glazing elements (GE) can be mounted without additional profiles
- The whole unit is completed by smart wiring concepts tailored to the products



Preparation for mains connection (3 order options)

For all options, the cabling for the power supply is integrated into the components so that it is weather-proof, concealed and visually appealing.

- Preparations for mains connection
 - For the installation of the VertiTex II vertical sun protection on the guttering (front right/left)
 - For the installation of the lateral VertiTex II
 - In the guttering for optional electrical connections



The weinor Pergona collection

The robust and waterproof PVC fabrics are available in 2 versions – either as Pergona classic or, subject to a surcharge, as Pergona translucent.

The special feature of the Pergona translucent is its high light transmission of up to 21%. The fabric allows natural light through and provides optimal protection against rain and UV rays.

With its light transmission of up to 11%, the Pergona classic is ideally suitable for shading purposes. Dirty marks cannot be seen from underneath either.

weinor Pergona classic	weinor Pergona translucent
<ul style="list-style-type: none"> • Rain-proof, highly tear-resistant, opaque • Extremely stable • Easy-care • Light transmission 0 – 11% • 5 patterns 	<ul style="list-style-type: none"> • Rain-proof, highly tear-resistant, translucent • Extremely stable • Easy-care • Light transmission up to 21% • 11 patterns

For comprehensive documentation and choice of patterns, see separate collection.

weinor PergoTex II Technology

02

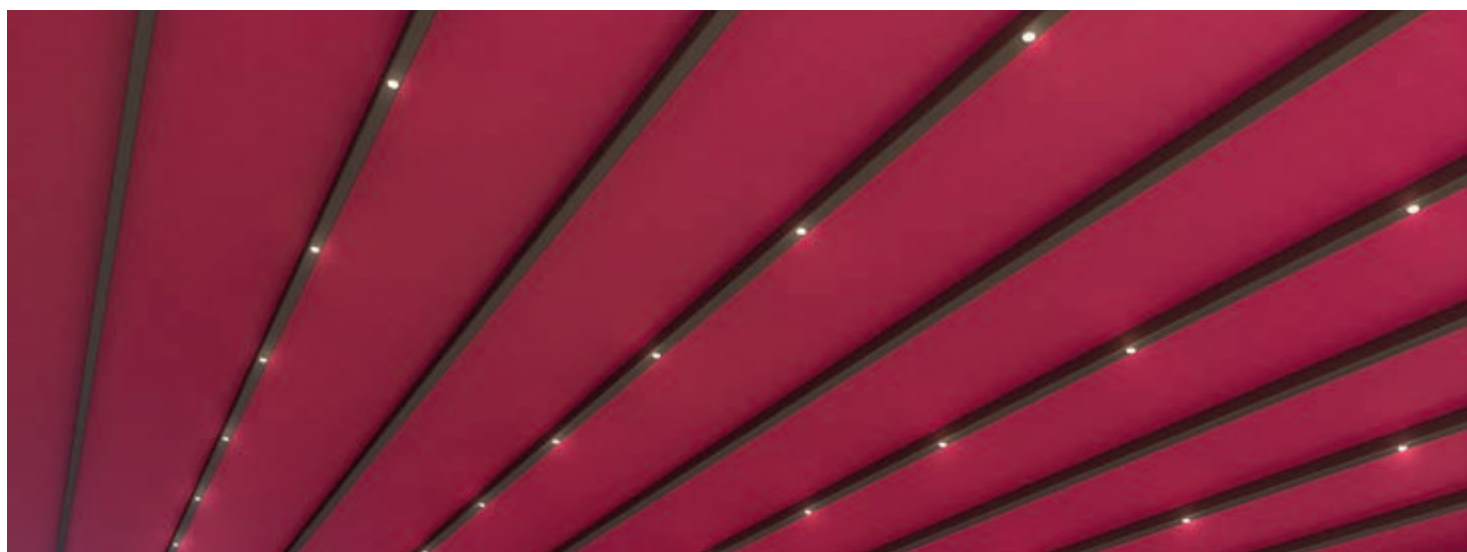
weinor PergoTex II versions	weinor PergoTex II	weinor PergoTex II Basic
Technology		
Max. width of 1 unit (1-unit system)	7,000 mm	7,000 mm
Max. width of 2 units (multi-section unit)	14,000 mm	14,000 mm
Max. projection	6,500 mm	6,500 mm
Fabric folding height (bottom edge of folding up to top edge of stave)	max. 300 mm	max. 300 mm
Post dimensions	115 x 115 mm	without posts, without rain gutter
Roof pitch as sun protection	0° to 25°	0° to 25°
Roof pitch also as rain protection	from 8°	from 8°
Motor drive	● as standard	● as standard
Installation alternatives	wall mounting	installation on walls
Safety shield depth (standard)	782 – 1,237 mm	—
Accessories		
Tempura heating system	<input type="radio"/>	<input type="radio"/>
Tempura Quadra heating system	<input type="radio"/>	<input type="radio"/>
LED light bar (see next page)	<input type="radio"/>	<input type="radio"/>
Vertical glass elements	<input type="radio"/>	<input type="radio"/>
Vertical sun protection	<input type="radio"/>	<input type="radio"/>
Radio control	<input type="radio"/>	<input type="radio"/>
Weather sensors		
Sun/wind sensor BiConnect BiSens SW-230 V	<input type="radio"/>	<input type="radio"/>
Sun/wind sensor solar powered BiConnect BiSens SW-Solar	<input type="radio"/>	<input type="radio"/>
Sun/wind/rain sensor BiConnect-BiSens-SWR-230V	<input type="radio"/>	<input type="radio"/>
Quality		
Load	The weinor PergoTex II has been tested in the maximum dimensions up to wind strength 6 on the Beaufort scale (= wind resistance class 3) and withstands this load.	

For the weinor PergoTex II type pergola awning, the risk assessment was carried out in accordance with DIN EN 12100:2009. Please note that it may be necessary to have a special risk assessment carried out with respect to special conditions for use and locations, for example kindergartens or facilities for the disabled.

For detailed descriptions of accessories and colours, see appendix in product folder

● standard ○ optional — unavailable

weinor PergoTex II LED



Integrated HighPower LED spotlights

Select LED components for top weinor quality:

- Integrated into the transoms
- Atmospheric light thanks to special glass lenses
- Highly energy-efficient
- Operating life of 30,000 hours of lighting with 85% lower energy consumption
- Infinitely dimmable when used with BiConnect radio control
- Easy to service: simple replacement of individual LED lights
- A defined number of LED spotlights per transom
- Spacing of the spotlights 500 mm
- A maximum of 12 LED spotlights per transom
- A maximum of 4 staves with LED spotlights

Width in cm	Projection in cm									
	0–110	111–175	176–240	241–305	306–369	370–434	435–498	499–563	564–627	628–650
	Number of LED spotlights									
200	0	2	2	2	4	4	6	6	8	8
250	0	4	4	4	8	8	12	12	16	16
300	0	4	4	4	8	8	12	12	16	16
350	0	6	6	6	12	12	18	18	24	24
400	0	6	6	6	12	12	18	18	24	24
450	0	8	8	8	16	16	24	24	32	32
500	0	8	8	8	16	16	24	24	32	32
550	0	10	10	10	20	20	30	30	40	40
600	0	10	10	10	20	20	30	30	40	40
650	0	12	12	12	24	24	36	36	48	48
700	0	12	12	12	24	24	36	36	48	48
	Number of 45 x 60 mm transoms									
	0	1	2	3	4	5	6	7	8	9
	Of them, number of 45 x 60 mm transoms with LED									
	0	1	1	1	2	2	3	3	4	4

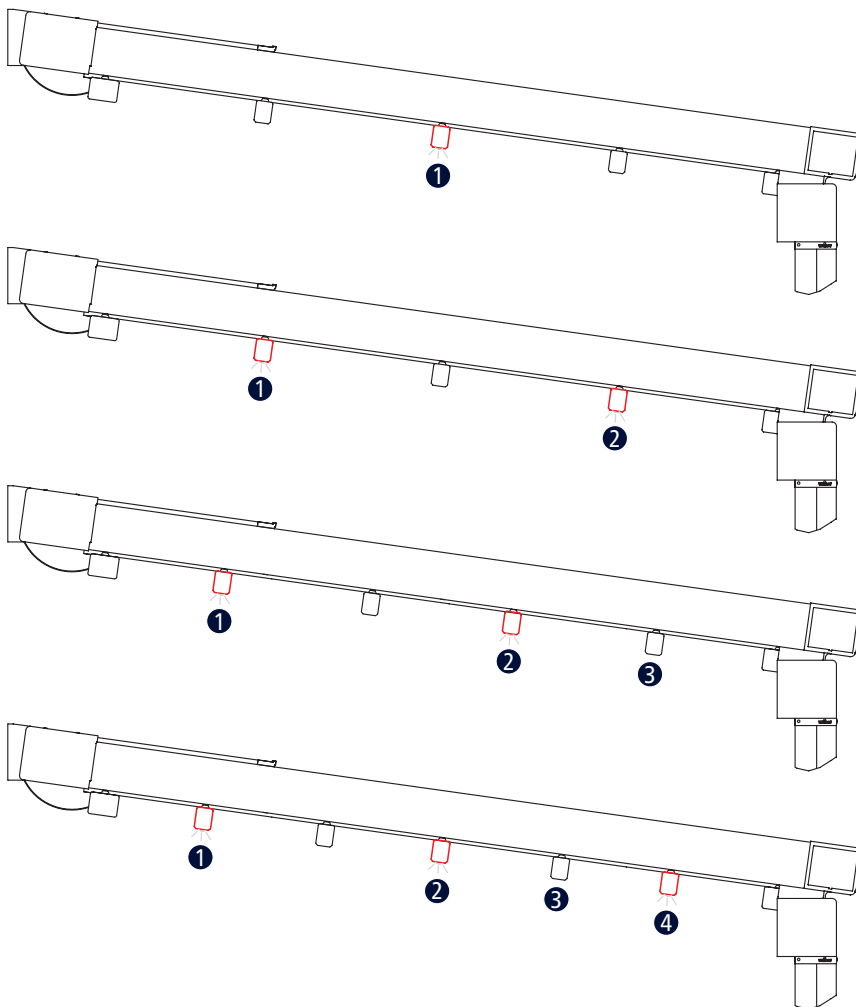
Options

- Changing the position of LED transoms (no extra charge).
- Supplementing/ordering additional transoms (45 x 60 mm) with/without integrated LED spotlights (extra charge).

Prerequisites

- A transom (45 x 60 mm) without LED spotlights must be installed between the transoms with integrated LED spotlights.
- A maximum of 4 transoms with LED spotlights per system possible.
- 0 or 1 or 2 transoms (45 x 60 mm) without integrated LED spotlights must be installed between the first transom with integrated LED spotlights and the transom (80 x 60 mm) on the wall.
- Lighting in the transom (80 x 60 mm) on the wall and in the transom (80 x 60 mm) on the projection profile is not possible.
- Any number of transoms without LED possible between the last transom with LED and the transom (80 x 60 mm) on the guttering.

Possible choice and combination of transoms 45 x 60 mm transoms with LED



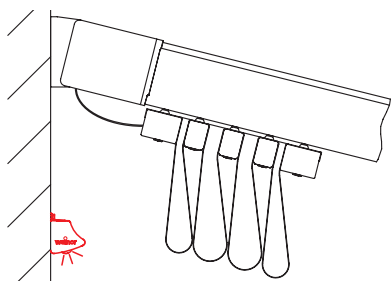
(using the example of a weinor PergoTex II with a projection of 241 – 305 cm)

- One 45 x 60 mm transom with LED centrally positioned ① (weinor PergoTex II LED standard configuration option)

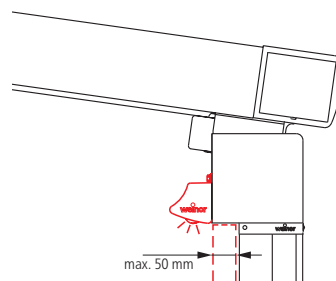
Further options

- Existing 45 x 60 mm transom with LED ① (position changed)
- Existing 45 x 60 mm transom supplemented with LED ②
- Existing 45 x 60 mm transom with LED ① (position changed)
- Existing 45 x 60 mm transom supplemented with LED ②
- Additional 45 x 60 mm transom (without LED) ③
- Existing 45 x 60 mm transom with LED ① (position changed)
- Existing 45 x 60 mm transom supplemented with LED ②
- Additional 45 x 60 mm transom (without LED) ③
- Additional 45 x 60 mm transom ④ (with LED)

weinor PergoTex II with separate LED light bar



Lowered LED light bar
Benefit: lighting even if the system is retracted



LED light bar on the guttering
Note: The LED light bar on the guttering is ideally installed in combination with the weinor w50-c fixed element

On request, the weinor PergoTex II can also be supplemented with a separate light bar. This light bar is mounted to the wall or to the guttering. The spacing of the spotlights of the separate light bar is 550 mm and thus deviates from the spacing of the integrated LED spotlights.

From a width of more than 6,501 mm, two separate LED light bars are required.

Width in mm	Number of LED spotlights	Width in mm	Number of LED spotlights
1,500 – 1,649	2	3,850 – 4,399	7
1,650 – 2,199	3	4,400 – 4,949	8
2,200 – 2,749	4	4,950 – 5,499	9
2,750 – 3,299	5	5,500 – 6,039	10
3,300 – 3,849	6	6,040 – 6,500	11

weinor PergoTex II Control

weinor BiConnect radio technology



Wall gap sealing profile (with LED option)

Installation location for remote receiver, power supply pack and other electrical components

The BiConnect remote receiver ① is installed in the wall connection profile ② and covered by the weinor PergoTex II fabric. However, the remote receiver can still be accessed easily, since the wall connection fabric can be easily removed from the wall bracket for servicing.



Wall connection profile with BiRec MA-K (without LED option)

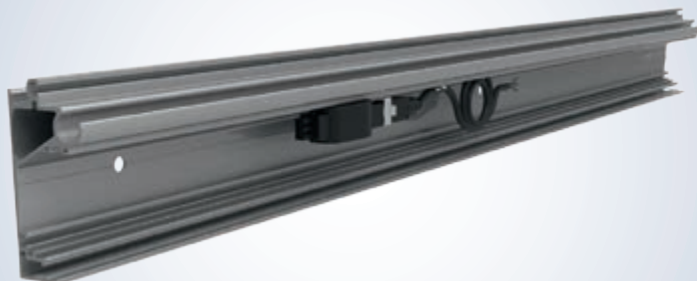
Product	Electronics	BiConnect control	Remote receiver	Transmitter
weinor PergoTex II	weinor PergoTex II drive	<ul style="list-style-type: none"> • BiRec receiver integrated into wall bracket 	BiRec MA-K	<ul style="list-style-type: none"> • BiEasy 1M/5M/15M/15M Go! Hand transmitter • App • 1MW-3V wall transmitter
weinor PergoTex II LED	weinor PergoTex II drive and LED lighting	<ul style="list-style-type: none"> • BiRec receiver for main drive and power supply pack for the LED spotlights integrated into the wall bracket • Additional BiRec receiver integrated into the transoms for the LED spotlights • Dimmable LED 	BiRec MLED	<ul style="list-style-type: none"> • BiEasy 5M/15M/15M Go! Hand transmitter • App
Accessories (optional)	Tempura/Tempura Quadra heating	<ul style="list-style-type: none"> • Dimmable, additional receiver required • Accommodation of receiver in the design bar provided for this purpose or the Tempura Quadra box 	BiRec HD	<ul style="list-style-type: none"> • BiEasy 5M/15M/15M Go! Hand transmitter • App

Note:

Please see the "Accessories" technical brochure for further details regarding the drive and control.

Some options are subject to a surcharge. For prices, please refer to the weinor awnings price list.

Somfy RTS radio technology



Wall connection profile with RTS (without LED option)

RTS receiver installation location

The RTS receiver for lighting is installed in the wall connection profile and can thus be easily accessed for servicing.

Product	Electronics	Somfy RTS control	Remote receiver	Transmitter
weinor PergoTex II	weinor PergoTex II drive	<ul style="list-style-type: none"> Somfy RTS remote-controlled motor integrated into wall bracket 	Somfy Universal Receiver RTS	<ul style="list-style-type: none"> Telis 1 RTS Pure/Telis 1 Soliris RTS Pure/Telis 4 RTS Pure/Telis 4 Soliris RTS Pure hand transmitter Smoove 1 wall transmitter
weinor PergoTex II LED	weinor PergoTex II drive and LED lighting	<ul style="list-style-type: none"> Somfy RTS receiver integrated into wall bracket Additional Somfy receiver for the LED spotlights (with downstream power supply pack) integrated into wall bracket LED not dimmable 	Somfy Universal Receiver RTS and Lighting Slim Receiver RTS	<ul style="list-style-type: none"> Telis 4 RTS Pure/Telis 4 Soliris RTS Pure hand transmitter
Accessories (optional)	Tempura/Tempura Quadra heating	<ul style="list-style-type: none"> Not dimmable, additional receiver required Accommodation of receiver in the design bar provided for this purpose or the Tempura Quadra box 	Heating Slim Receiver RTS Plug	<ul style="list-style-type: none"> Telis 4 RTS Pure/Telis 4 Soliris RTS Pure hand transmitter

Somfy io-homecontrol® radio technology

Product	Electronics	Somfy io-homecontrol control	Remote receiver	Transmitter
weinor PergoTex II	weinor PergoTex II drive	<ul style="list-style-type: none"> Somfy io remote-controlled motor integrated into wall bracket 	Somfy io remote-controlled motor	<ul style="list-style-type: none"> Situo 1 io Pure/Situo 5 io Pure/Easy Sun io Pure Shine hand transmitter Smoove 1 io Pure Shine wall transmitter
weinor PergoTex II LED	weinor PergoTex II drive and LED lighting	<ul style="list-style-type: none"> Somfy io remote-controlled motor integrated into wall bracket Additional Somfy receiver for the LED spotlights (with downstream power supply pack) integrated into wall bracket LED not dimmable 	Somfy io remote-controlled motor and io lighting receiver	<ul style="list-style-type: none"> Situo 5 io Pure/Easy Sun io Pure Shine hand transmitter
Accessories (optional)	Tempura/Tempura Quadra heating	<ul style="list-style-type: none"> Not possible with Somfy io control 		

weinor PergoTex II Control

Hard wired with Somfy control

Product	Electronics	Hard wired Somfy control	Controls
weinor PergoTex II	weinor PergoTex II drive	<ul style="list-style-type: none"> Somfy control for awning drive 	e.g. Soliris Smooove Uno
weinor PergoTex II LED	weinor PergoTex II drive and LED lighting	<ul style="list-style-type: none"> Somfy control for awning drive Commutator on site for the LED lighting LED power supply pack integrated into the wall bracket LED not dimmable 	e.g. Soliris Smooove Uno and suitable light switch (on site)
Accessories (optional)	Tempura/Tempura Quadra heating	<ul style="list-style-type: none"> Not dimmable 	Suitable commutator (on site)

Hard wired (existing switch/power supply on site)

Product	Electronics	Hard wired control	Controls
weinor PergoTex II	weinor PergoTex II drive	<ul style="list-style-type: none"> Awning commutator for the awning drive 	e.g. Double rocker switches (on site)
weinor PergoTex II LED	weinor PergoTex II drive and LED lighting	<ul style="list-style-type: none"> Awning commutator for the awning drive Commutator on site for the LED lighting LED power supply pack integrated into the wall bracket LED not dimmable 	e.g. Double rocker switch and suitable light switch (on site)
Accessories (optional)	Tempura/Tempura Quadra heating	<ul style="list-style-type: none"> Not dimmable 	Suitable commutator (on site)

Power supply pack for LED option



The power supply pack provides the power supply required to operate the LED. It is only required for the LED option.

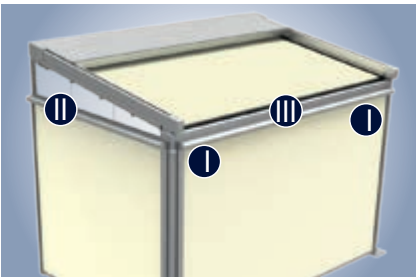
Position of the power supply pack	Product
in the wall connection profile	weinor PergoTex II LED



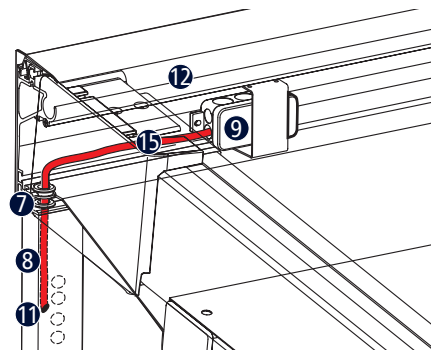
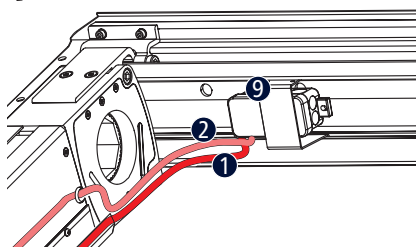
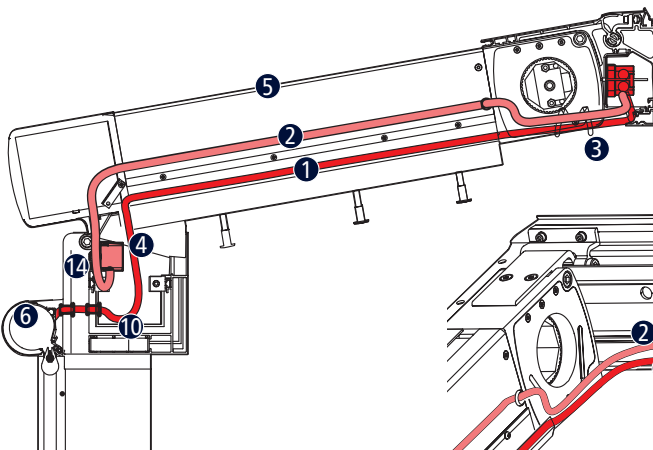
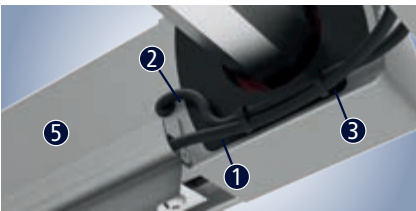
Power supply pack installation strip for LED option

The power supply pack ① is positioned in the wall connection profile so that it is easy to access. The transformer/receiver bar is not supplied for the weinor PergoTex II without the LED option.

Cable connection concept for three PergoTex II order options



Whether the VertiTex II vertical sun protection is installed on the guttering or on the sides or whether even connections for additional electricity components are provided: the cabling is integrated into the components in a weather-proof and concealed way and has been prepared optimally in the factory for all options. This ensures a visually appealing and secure installation.



I Preparations for the mains connection for the installation of the VertiTex II vertical sun protection on the guttering (front right/front left)

The power lead **1** for the VertiTex II **6** is routed through the guttering to one of the side channels. For the cable bushing **14**, a hole is drilled into the guttering on site and a cable sleeve **7** is inserted. Depending on the order option or the drive side of the VertiTex II, the power lead for the VertiTex II is routed either in the left or in the right, and in exceptional cases also in the centre side channel **5** to the wall gap sealing profile and to the distributor box **9**. A VertiTex II lead can be blocked out for each of the outside side channels, it is also possible to block out two leads with a centre side channel. Factory-made assembly preparation:

- Drilled hole and cable sleeve in the guttering **10**
- Cable tie **3** (end cap cable fixing)
- Clips with cable sleeve
- 20x20x4 angle bracket with clip (front end cap bolting)
- Wedge seal (fixing the lead in place)
- Distributor box with attachment **9**

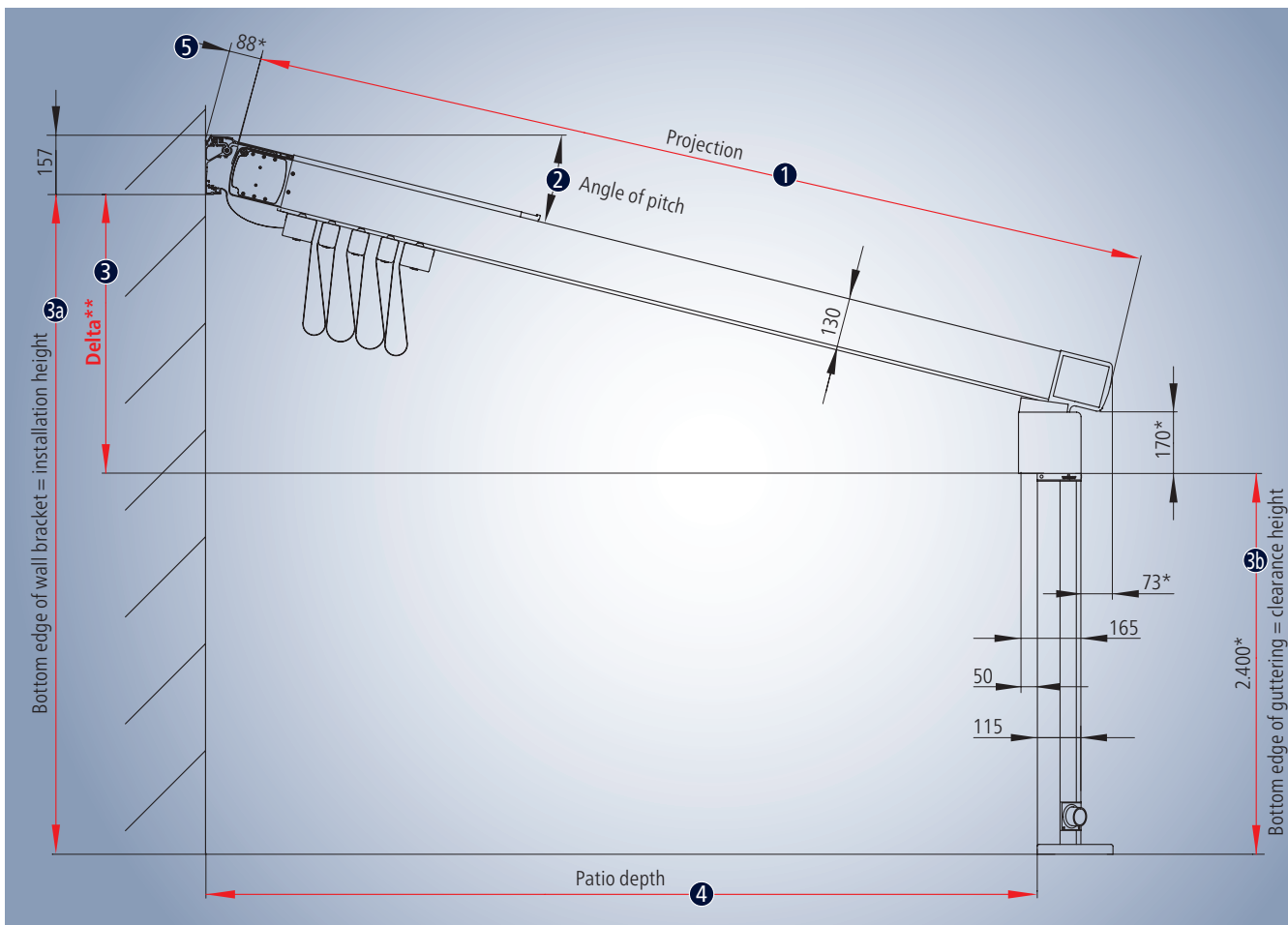
II Preparations for the mains connection for the installation of the lateral VertiTex II

The VertiTex II **15** lead is routed in the wall-side rectangular profile **8** through a drilled hole and a cable sleeve **7** in the wall gap sealing profile **12** to the distributor box **9**. There is not a drilled hole **11** yet for the VertiTex II power supply cable bushing in the rectangular profile. This makes it possible to fasten the locking bar and VertiTex II in a flexible manner without any annoying visible, unused drilled holes.

III Preparations for the mains connection of optional electricity consumers on the guttering

The power supply **2** for optional electric components (e.g. an LED light bar) is supplied on site using the E-Box **4** screwed to the top groove in the guttering. The cable running to one of the side channels is mounted to the guttering **13** on site using clips. The cable has already been routed in the side channel and the end cap front in the factory and leads to the wall bracket.

weinor PergoTex II Planning



* The cross sections and dimensions depend on the pitch

Delta: dimension **3a minus dimension **3b** = difference between installation height and head clearance height

Site measurements – determining the projection and head clearance height

The pitch of the projection **1** can be up to 25°. In contrast to other pergola awnings, the weinor PergoTex II can also be mounted without a roof pitch (0°) (can then only be used as sun protection). Ideal water drainage without a risk of pooling is provided from an angle of pitch of 8°. The maximum projection is up to 6,500 mm.

The **projection** is the basis for determining the costs for a weinor PergoTex II system. Using the following table (next page), the projection **1** of the weinor PergoTex II is determined on the basis of a given horizontal patio depth **4**.

The projection is calculated on the basis of

- the **angle of pitch 2**,
- The **delta* 3**,
- The **patio depth 4**.

The maximum **head clearance height 3** is 2,400 mm. If this head clearance height of 2,400 mm is exceeded optionally, the stability must be proven on site.

The **dimension 5** is the spacing between the house wall and the side channel (specified with 88 mm in the example above, based on an angle of pitch of 10°). The spacing depends on the angle of pitch.

If necessary, the dimension **5** is used to determine the overall dimensions of the awning (wall bracket to front edge of guttering).

Angle of pitch	Spacing between the house wall and side channel (dimension 5)
8°	86
10°	88
15°	92
20°	97
25°	103

Determination of projection

Delta* (in mm)	Projection depth (in mm) pitch																	
	2091	0.6°	2590	0.5°	3090	0.4°	3590	0.4°	4090	0.3°	4590	0.3°	5090	0.2°	5590	0.2°	6090	0.2°
200	2117	6.2°	2611	5.0°	3108	4.2°	3605	3.6°	4103	3.1°	4601	2.8°	5100	2.5°	5599	2.3°	6098	2.1°
400	2161	11.7°	2647	9.4°	3138	7.9°	3631	6.8°	4126	6.0°	4622	5.3°	5119	4.8°	5616	4.4°	6113	4.0°
600	2223	16.9°	2698	13.7°	3181	11.5°	3668	10.0°	4159	8.8°	4651	7.8°	5145	7.0°	5640	6.4°	6135	5.9°
800	2302	21.8°	2763	17.9°	3235	15.1°	3716	13.0°	4200	11.5°	4688	10.3°	5179	9.3°	5671	8.4°	6164	7.8°
1000			2840	21.8°	3502	18.5°	3774	16.0°	4252	14.2°	4734	12.7°	5220	11.5°	5709	10.5°	6199	9.6°
1200					3379	21.8°	3841	19.0°	4312	16.8°	4788	15.0°	5269	13.6°	5753	12.4°	6240	11.4°
1400					3466	24.9°	3918	21.8°	4380	19.3°	4850	17.4°	5325	15.7°	5804	14.4°	6287	13.2°
1600							4003	24.5°	4456	21.8°	4919	19.6°	5388	17.8°	5862	16.3°	6340	15.0°
1800									4540	24.2°	4995	21.8°	5457	19.8°	5926	18.2°	6400	16.8°
2000											5078	23.9°	5533	21.8°	5996	20.0°	6464	18.5°
2200													5616	23.7°	6072	21.8°		
2400															6153	23.5°		
2600																		
465	2129	8.0°																
536			2634	8.0°														
606					3139	8.0°												
676							3644	8.0°										
746									4149	8.0°								
816											4654	8.0°						
887													5159	8.0°				
957															5663	8.0°		
1027																	6168	8.0°
	2000		2500		3000		3500		4000		4500		5000		5500		6000	
	Patio depth (in mm)																	

** Delta: difference between installation height and head clearance height

Table 1 (upper part): projection depth and projection pitch at delta 200/400/600/800/1,000/1,200/1,400/1,600/1,800/2,000 or 2,200 mm

Table 1 (lower part): projection depth and dimensioning of delta at the given pitch of the projection of 8°

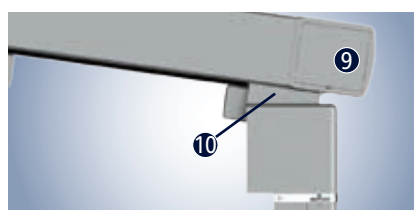
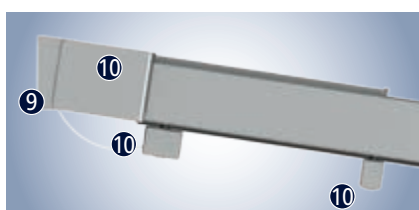
Example 1: With a patio depth of 3,500 mm and delta* of 600 mm (*= bottom edge of wall bracket of 2,700 mm minus bottom edge of guttering of 2,100 mm), the projection is 3,631 mm and the pitch is 6.8°.

Angle of pitch	Projection depth (in mm)								
8°	2129	2634	3138	3643	4148	4653	5158	5663	6168
10°	2145	2653	3161	3668	4176	4684	5191	5699	6207
15°	2198	2716	3234	3751	4269	4787	5304	5822	6340
20°	2271	2803	3335	3867	4399	4931	5463	5996	
25°	2365	2917	3468	4020	4572	5124	5675	6227	
	2000	2500	3000	3500	4000	4500	5000	5500	6000
	Patio depth (in mm)								

Table 2: projection depth at an angle of pitch of 8°/10°/15°/20° and 25°.

Example 2: At an angle of pitch of 10° and a patio depth of 3,000 mm, the actual projection is 3,161 mm.

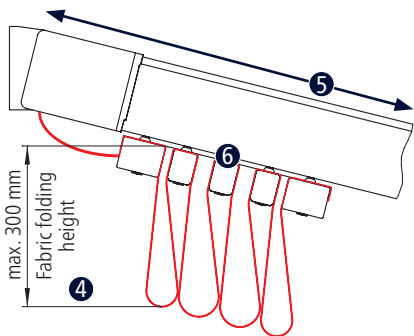
Lateral covers – for each projection



The elegant cover plates 9 and cover caps 10 cover the mounting technology, protect it against dirt and produce a harmonious side view.

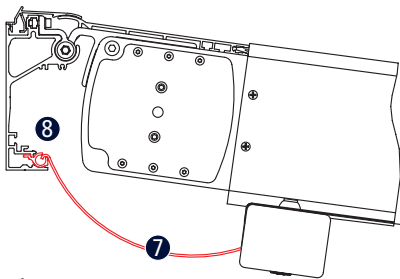
weinor PergoTex II Planning

Fabric folding height



The weinor PergoTex II fabric consists of a robust PVC material and is opened with a folding mechanism (folding awning). The fabric folding height **4** and the depth of the fabric safety shield **5** depend on the length of the projection/patio depth **1** and the number of staves **6**. Depending on structural requirements or individual customer requests, the number of staves can be increased to reduce the fabric folding height. The additional transoms may increase the depth of the fabric safety shield **5**.

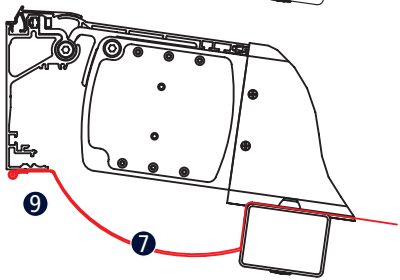
Fabric end



Angle of pitch from 0° to 18°

For a weinor PergoTex II at an angle of pitch from 0° to 18°, the fabric end **7** is made by welting the fabric in the wall gap sealing profile **8**.

Fabric end 0° to 18°

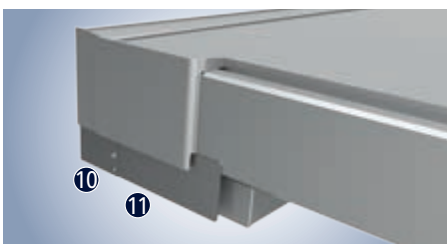


Angle of pitch > 18° to 25°

From an angle of pitch > 18° to 25°, the fabric is mounted to the wall gap sealing profile using a velcro fastener **9** so that it is flush with the house wall.

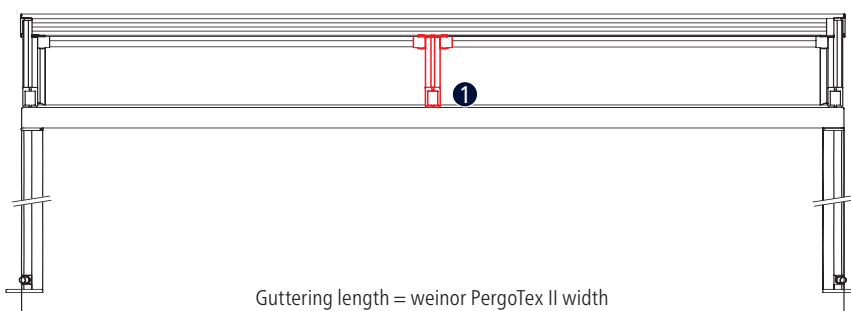
Fabric end > 18° to 25°

Wall connection fabric rain guards



They (**10**, **11**) are available optionally, are fitted on the left and right and protect against sideways water ingress. The rain guards can be used for angles of pitch between 0° and 25°.

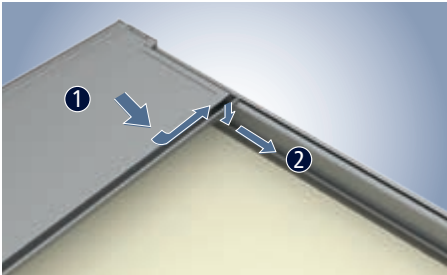
Additional support channel



From a width of more than 4,501 mm, a third support channel **1** is required.

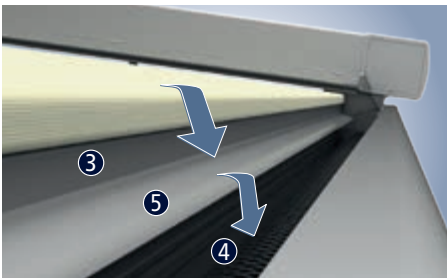
weinor PergoTex II with third support channel

Aluminium fabric protection roof



Quiet protection and drainage

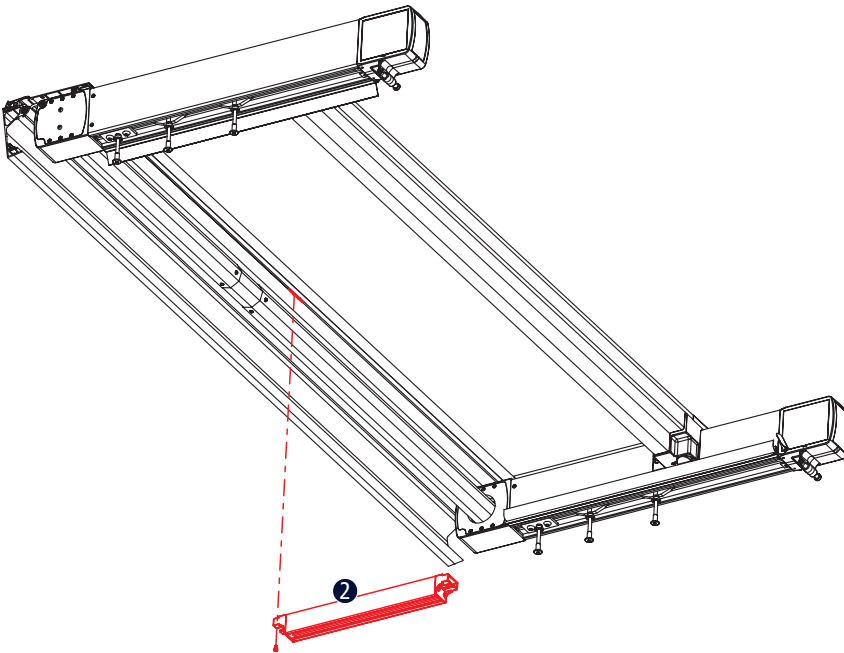
The new aluminium fabric safety shield ① has been designed as a hollow-chamber profile and has a noise-reducing effect when it rains. Rain water runs off the aluminium fabric safety shield ① sideways to the right and left in a controlled manner ②.



Controlled rain drainage

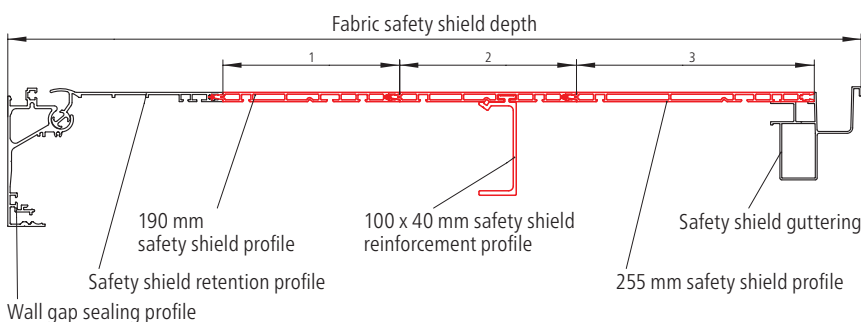
When fully extended, the front transom ③ is located directly above the guttering ④. A transparent plastic lip ⑤ drains the dripping or rain water directly into the guttering ④ and then into the water drains of the posts.

Use of support profiles



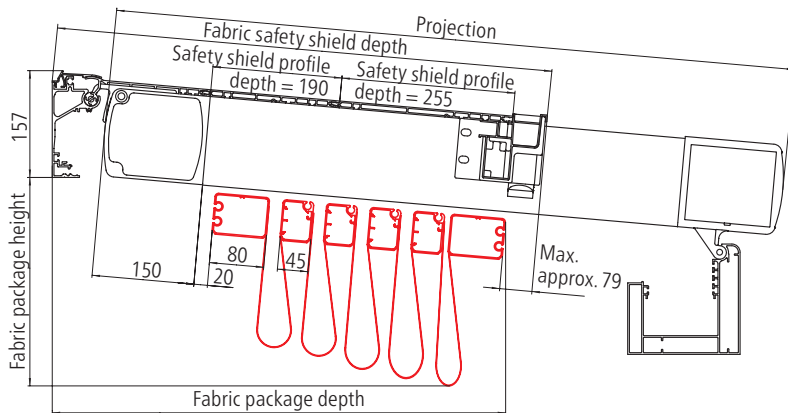
From a safety shield depth of more than 720 mm and from a width of more than 4,000 mm, the use of aluminium support profiles ② (order option/extra charge) is required. The support profiles are screwed to the safety shield retention profile using clamping sliders. Support profiles make it easier to install long safety shield profiles, since they can be placed on the already pre-assembled support profiles.

Use of reinforcements for higher snow loads



The support profiles are omitted if the 100 x 40 mm safety shield reinforcement profile is used for reinforcement. The reinforcements are mounted in the factory in accordance with the specified snow load as well as width and projection.

Aluminium fabric safety shield profiles and distribution of staves



Projection	Distribution of transoms			Distribution of the safety shield		
	Number of fabric sections	Number of 80 x 60 transoms	Number of 45 x 60 transoms	Number of 190 mm safety shield profiles	Number of 255 mm safety shield profiles	Fabric safety shield depth (values depend on the pitch; the values below refer to a pitch of 10°)
2000 - 2400	3	2	2	2	0	669
2401 - 3045	4	2	3	2	0	669
3046 - 3690	5	2	4	1	1	734
3691 - 4335	6	2	5	0	2	799
4336 - 4980	7	2	6	3	0	859
4981 - 5625	8	2	7	2	1	924
5626 - 6270	9	2	8	1	2	989
6271 - 6500	10	2	9	0	3	1054

Determination of fabric package height/depth depending on the number of transoms

Projection	Number of staves	Pitch							
		5		8		15		25	
		Depth	Height	Depth	Height	Depth	Height	Depth	Height
2000	4	520	273	510	292	484	335	436	391
2500	5	583	277	574	300	546	351	494	417
3000	5	583	340	574	362	546	413	494	479
3000	6	647	282	637	308	608	366	552	443
3500	6	647	332	637	358	608	416	552	493
3500	7	711	287	701	316	670	382	610	470
3500	8	775	256	764	289	732	363	668	461
4000	7	711	328	701	358	670	424	610	511
4000	8	775	292	764	325	732	398	668	496
4000	9	838	266	827	302	793	383	726	492
4500	8	775	328	764	360	732	434	668	532
4500	9	838	297	827	333	793	415	726	523
4500	10	902	275	891	314	855	403	784	522
5000	9	838	328	827	364	793	446	726	554
5000	10	902	303	891	342	855	431	784	550
5000	11	966	283	954	326	917	422	842	552
5500	9	838	360	827	396	793	477	726	586
5500	10	902	330	891	370	855	459	784	578
5500	11	965	308	954	351	917	447	842	577
5500	12*	1030	291	1017	337	979	441	900	581
6000	10	902	358	891	397	855	487	784	605
6000	11	966	333	954	376	917	472	842	602
6000	12*	1030	313	1017	359	979	464	900	604
6000	13*	1093	298	1081	347	1041	459	958	610
6500	11	966	358	954	401	917	497	842	627
6500	12*	1030	336	1017	382	979	486	900	626
6500	13*	1093	319	1081	368	1041	480	958	630
6500	14*	1157	305	1144	358	1103	477	1016	638
6500	15*	1221	294	1208	350	1164	477	1074	649

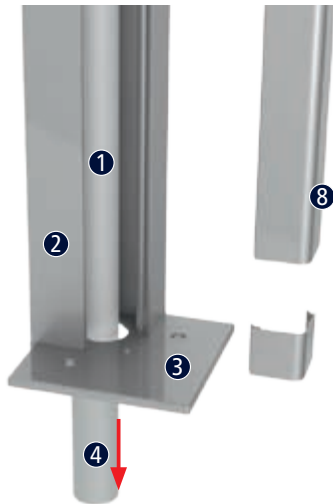
* Option

all cross sections and dimensions are approx. values

weinor PergoTex II Posts

Strong versatile all rounders

The stable and attractive posts for the weinor PergoTex II are part of the smart water drainage construction and drain the rain water in a controlled manner.



Integrated water drainage

The downpipe ① is invisibly integrated into one of the posts ②. When using post plates (in this figure, the example of large post plates is used), ③ the water drainage can be discharged directly downwards ④ or through a water outlet (on the post corner ⑤ or sideways/to the front ⑥). The height of the water outlet is variable ⑦ and can be easily adjusted on site by means of the two-part post design ⑧ ⑨.

Due to the two-part post design ⑧ and ⑨, the inside of the post can also be accessed easily, for example for cable routing or servicing work on the water drain pipe.

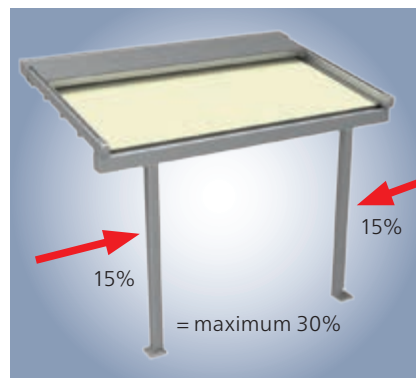


Post installation

Positioning of the posts

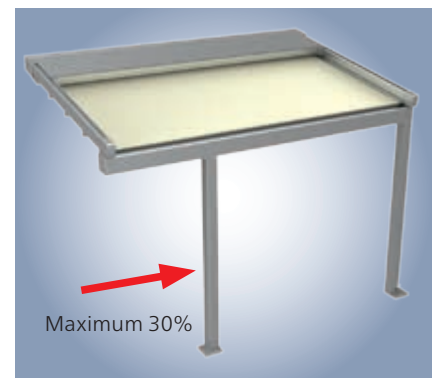


The standard position of the “outside posts” is the position in which the side channels and the guttering are aligned flush on the sides. (not flush in the case of centre/wall posts)



Indentation of posts

Depending on the structural requirements or customer requests, the posts can be indented up to a maximum of 30% of the total awning width. Indenting a post is



only possible on one side. The same applies to the symmetrical or asymmetrical indentation of the posts on both sides along the guttering.

weinor PergoTex II Posts

Post installation

Post fixation on concrete floor slabs ①

The standard configuration is the installation of the weinor PergoTex II with post plates on a given concrete floor. The trimmed length of the post must always be specified on the installation sheet.

Bucket foundation ②

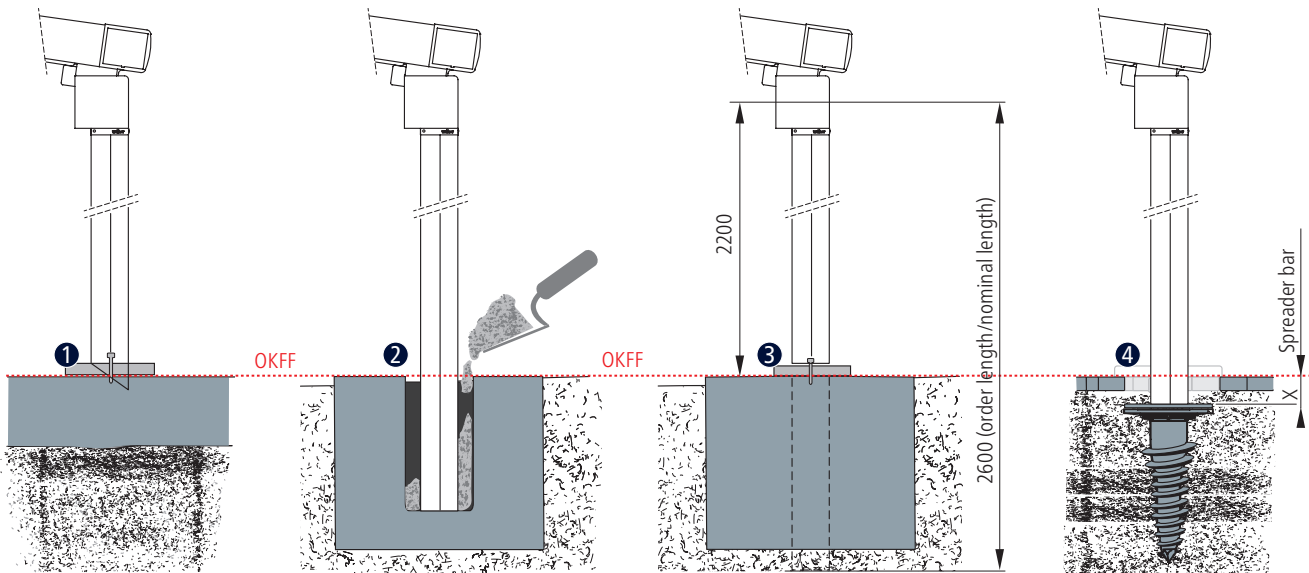
Posts are set in concrete on artificial substrates reliably and flexibly at the same time. It is only set in concrete after installation, making the alignment of the posts easier.

Deep-seated foundation ③

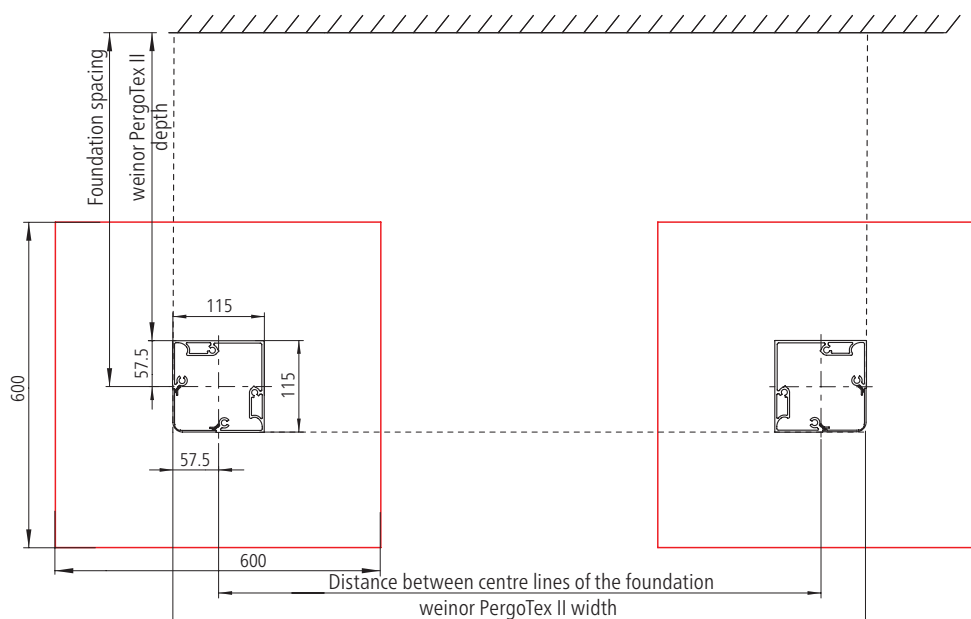
The easy and flexible screw attachment on a screw foundation is carried out like the standard fixation (item 1).

Screw foundation ④

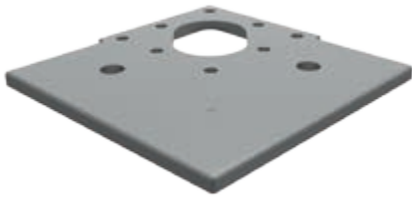
They are an alternative to conventional foundations on natural ground. The calculated post length on the installation sheet increases by the spreader bar (X).



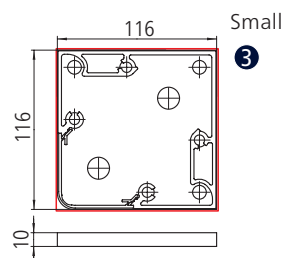
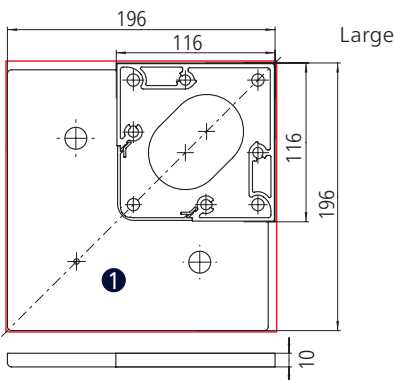
Foundation plan



Post installation – post plates

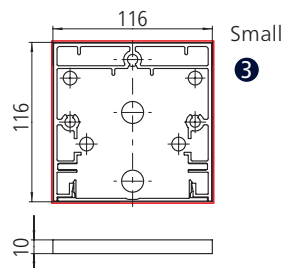
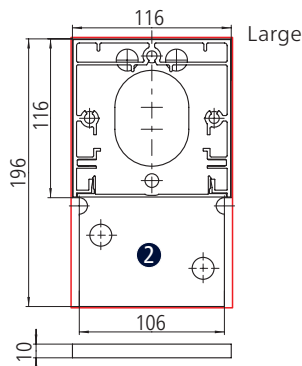


The weinor PergoTex II post plates connect the awning permanently to all substrates and complete the flexible, stabile framework assembly. Post plates are distinguished as follows: “outside post plates” ❶ (for the awning’s outside) and “centre/wall post plates” ❷ (post plates for centre or outside posts that are flush next to a wall). Small post plates ❸ (order option) are suitable for small folding awnings or for installation in showrooms.



Post plates for “outside posts”

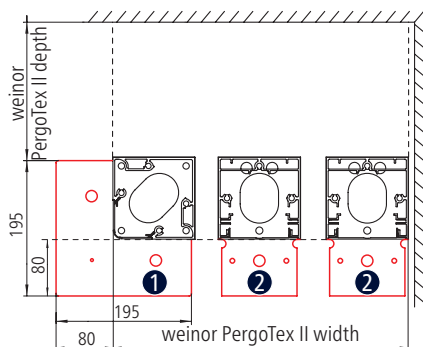
- “Large post plate for outside posts”
 - Water drainage bushing
 - Can be turned by 180°
- “Small post plate for outside posts” (optional)
 - Flush with posts
 - Optimised for small awnings



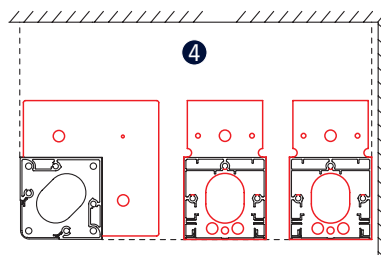
Post plates for “centre/wall posts”

- Large centre/wall post plate
 - Fixation of centre posts
 - Fixation of an outside post next to a wall
 - Water drainage bushing
 - Can be turned by 180°
- Small post plate for outside posts
 - Optimised for small awnings

Turning of post plates



Post plates oriented to the outside (standard)

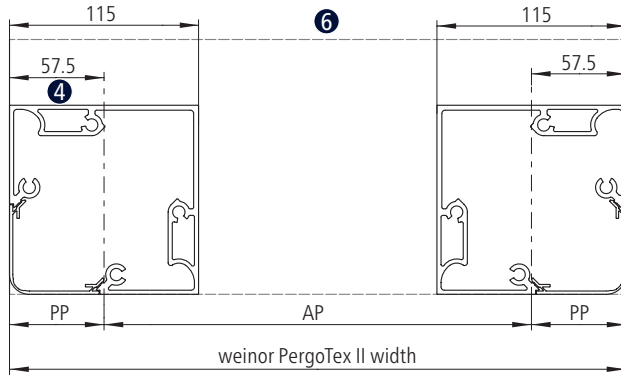


Post plates turned to the inside

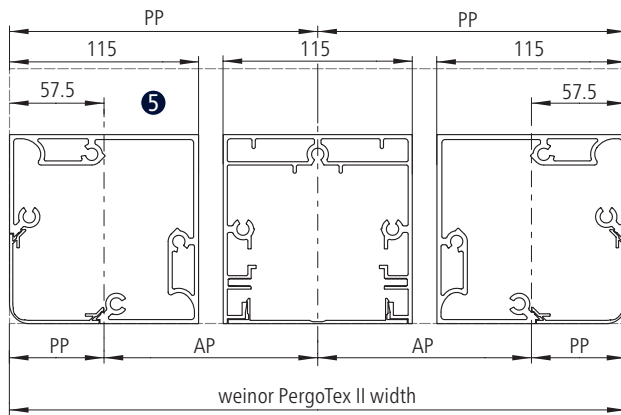
If the post plates must be flush with the posts on the outside, since this is required, for example, by adjacent objects (e.g. walls or plants), the post plates can be turned by 180° ❹.

Post installation – site measuring

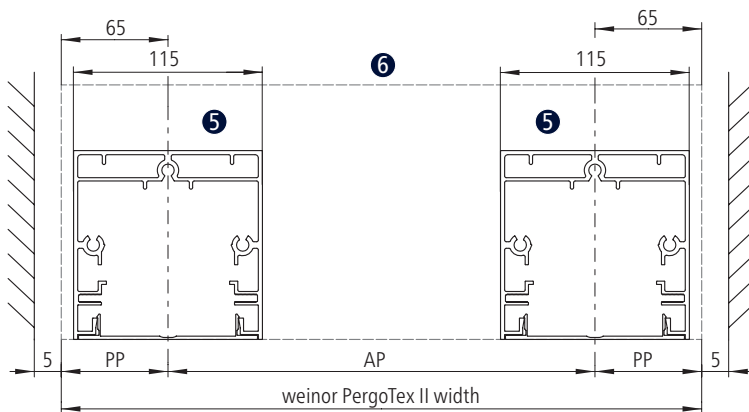
Post position and post distance



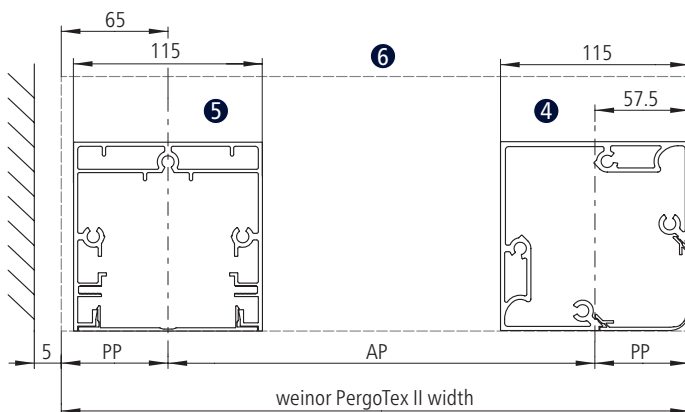
Standard; "outside post" 4



Standard with "centre/wall post" option 5; is only supplied on customer request; may be necessary for VertiTex II option
"Centre/wall post" (may be necessary for VertiTex II option)



Left and right wall; "centre/wall post" 5



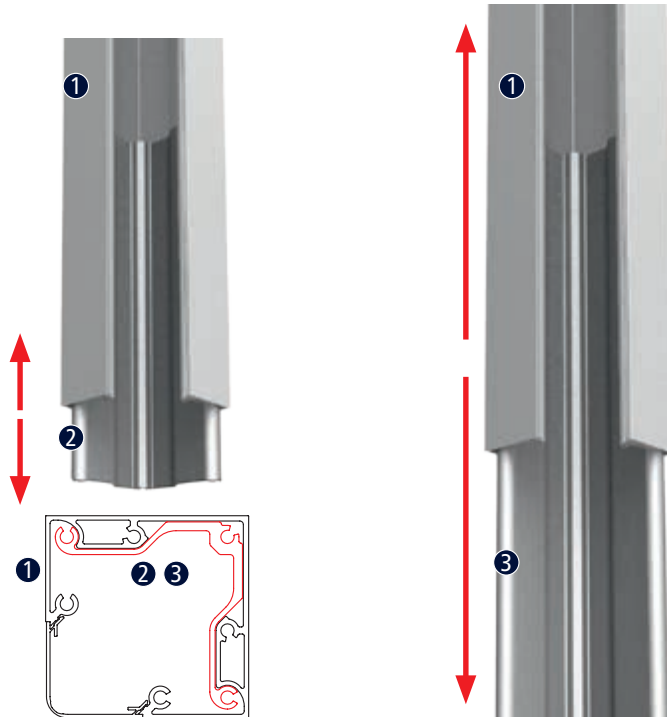
Left wall; left "centre/wall post" 5 and right "outside post" 4

Key:
PP - Position of posts
AP - Spacing of posts
- Guttering 6

Note
If the weinor PergoTex II is installed between two lateral walls, we recommend indenting the lateral spacing by 100 mm (instead of 5 mm) on the drive side to make it easier to access the drive for servicing.

Post installation – accessory components

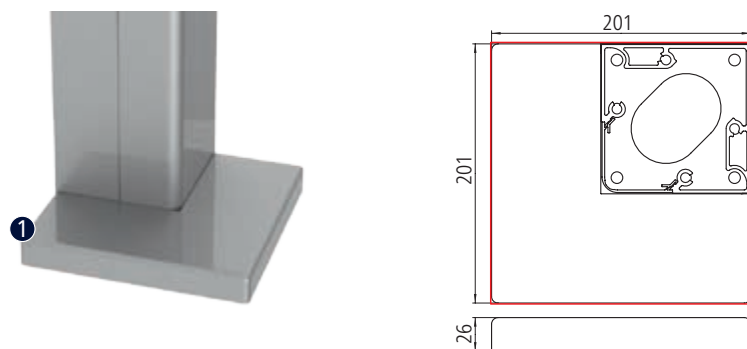
Aluminium post reinforcement profile



With the optional 300 mm aluminium post reinforcement profile **2** available for order (picture on the left), the stability of the post fixation is increased.

As a special design, an extra-long aluminium post reinforcement profile **3** (production according to the post length*) can also be delivered to stabilise extra-long posts **1** (picture on the right). From a post length of more than 2,400 mm, weinor recommends inserting the aluminium post reinforcement profile or mounting additional posts. If the post height of 2,400 mm is exceeded, the stability must be proven on site.

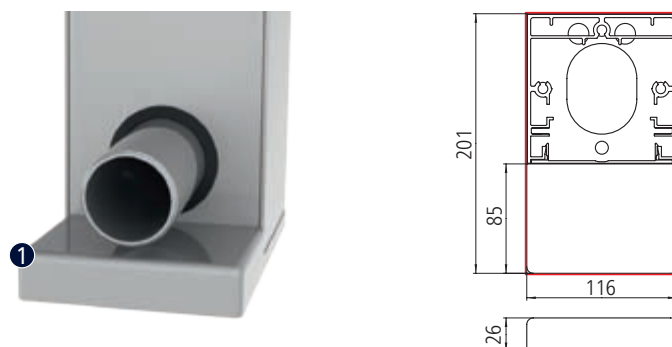
Cover cap for post plate



The cover caps **1** of the post plates are elegant end elements of the awning so that screws are no longer visible.

The cover caps are put flush over the post plates.

Cover cap for large post plate (outside post); if necessary, it can be turned by 180° together with the post plates

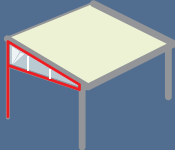
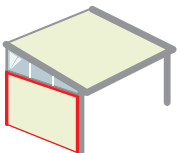
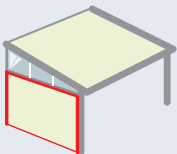
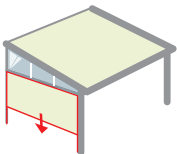
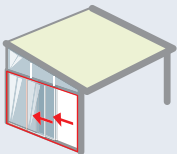
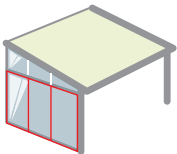
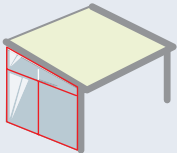


Cover cap for large post plate (centre and wall), illustrated post with water drainage, if necessary, it can be turned by 180° together with the post plates

weinor PergoTex II GE

Glazing elements and combinations

The weinor PergoTex II pergola awning can be supplemented with weinor glazing elements (GE). The table shows the options and possible combinations of weinor sun protection systems and glass elements* with the LITE side element (the triangular trapezoidal area below the side channel).

	Maximum wind load in wind strength on the Beaufort scale (wind speed)	 LITE side element
 VertiTex II with rail guide	5 (approx. 35 km/h) Must be opened with wind strengths over force 5 on the Beaufort scale to reduce the lateral wind load	<input checked="" type="radio"/>
 VertiTex II Zip	6 (approx. 45 km/h) Must be opened with wind strengths over force 6 on the Beaufort scale to reduce the lateral wind load	<input checked="" type="radio"/>
 VertiTex II with rope guide	5 (approx. 35 km/h) Must be opened with wind strengths over force 5 on the Beaufort scale to reduce the lateral wind load	<input checked="" type="radio"/>
 Full glass sliding door w17 easy	6 (approx. 45 km/h) Must be opened with wind strengths over force 6 on the Beaufort scale to reduce the lateral wind load	<input checked="" type="radio"/>
 w50-c fixed element		<input type="radio"/> Only with low pergola awning depth or in a position sheltered from the wind
 Super Lite w50-c fixed element		<input type="radio"/> Only with low pergola awning depth or in a position sheltered from the wind

● can be combined ○ on request

* Further information (special permission if necessary) on our flexible all-glass elements can be found in the separate weinor glazing element product brochure.

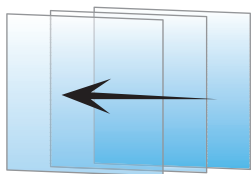
Flexible fixed glazing elements – w17 easy full glass sliding door



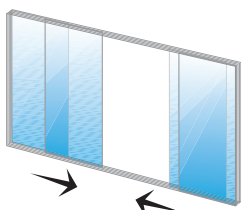
Full glass sliding door w17 easy

Alongside an all-round view, weinor w17 easy full glass sliding doors provide reliable protection against wind and driving rain.

- Opens sideways
- Actuator for easy closing
- Guide profiles with several tracks (2 to 5 depending on the design)
- Standing construction
- Transparent gap seals between the lockplate systems' glass
- Pane packages which can be slid open to the left and right up to 6,600 mm (optional as lockplate design up to 10,000 mm; depending on the number of tracks)
- Maximum height of 2,600 mm
- Highly resistant to driving rain and windproof



w17 easy full glass sliding door with sliding option



w17 easy full glass sliding door with lockplate option

Note
From a wind strength of 6, the glazing elements must be opened completely and the weinor PergoTex II retracted completely so that there are no surfaces the wind can target. Larger cross sections and dimensions available on request.

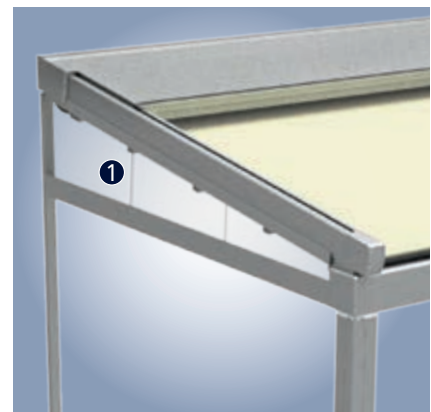
Fixed glazing – the w50-c LITE side element



w50-c LITE side element

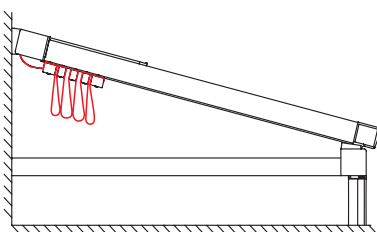
weinor offers the fixed glazing w50-c LITE ① side element to go with the weinor PergoTex II. This side element is suitable for the trapezoidal area up to an angle of 25°.

- Highly transparent
- Two-part retaining section
- No screws in visible areas
- Attractively priced
- Fixed glazing
- Can be combined with the w17 easy full glass sliding door
- Can be combined with VertiTex II rail or rope guide versions
- Can be combined with the w50-c fixed element on request



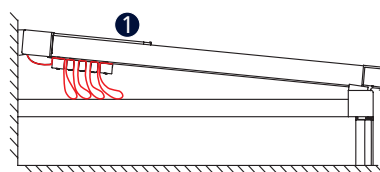
Dimensioning of the w50-c LITE side element

At a low height of the w50-c LITE side element due to a low angle of pitch of the side channels, the fabric of the weinor PergoTex II can rest on the locking bar of the trapezium during the retracting and extending process as well as in the retracted position ①. In the long term, signs of abrasion may occur. By ordering additional transoms, the fabric folding height can be reduced and thus the possibility of the fabric resting on the locking bar of the trapezium minimised ②. Depending on the projection, up to 4 transoms (2 transoms in the case of the LED option) are possible as supplements.



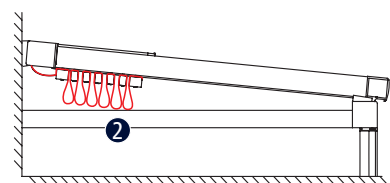
Large pitch of the side channel

The fabric does not rest on the locking bar of the trapezium.



Low pitch of the side channel

The fabric rests on the locking bar of the trapezium (signs of abrasion on the fabric are possible).



Low pitch of the side channel

With additional transoms (fabric folds), the fabric does not rest on the locking bar of the trapezium in the retracted position, since the fabric folding height is reduced by additional transoms.

Fixed glazing – the w50-c LITE side element

Side element with wind support bracket, steel reinforcement in the locking bar and additional post

The size, surface and weight of the w50-c LITE ① side element result from the pitch of the projection ⑤ and the depth of the weinor

PergoTex II ⑥. Depending on the dimensioning of the side element, the additional use of

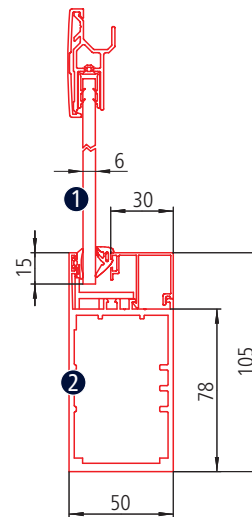
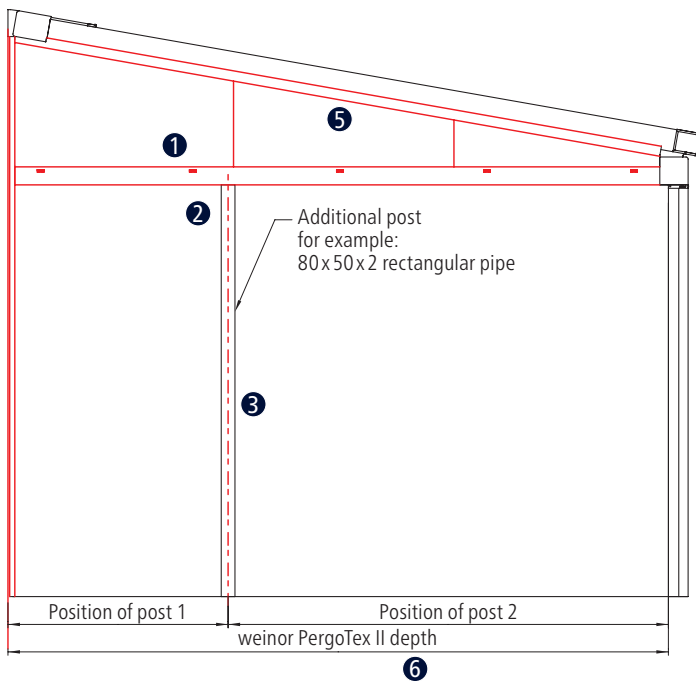
- a steel girder* ⑦ in the locking bar ②
- an additional post ③
- or a wind support bracket ④ is required to prevent the locking

bar** from being overloaded or to counteract an increased lateral wind load.

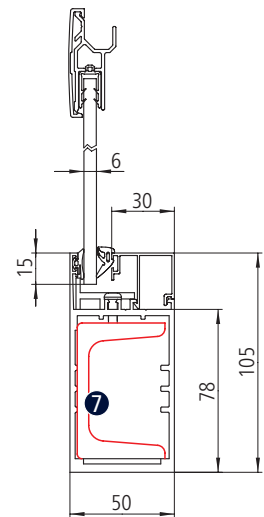
* Optionally integrated steel girder in the locking bar (prepared in the factory)

** w50-c LITE side element rests on the locking bar

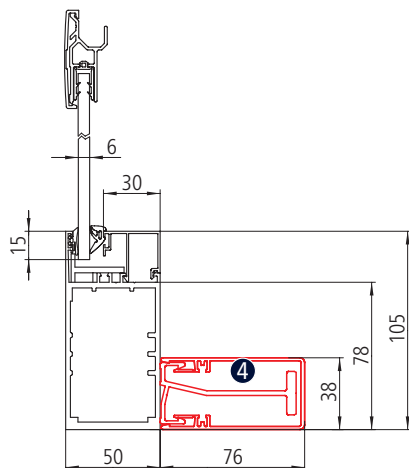
Side element w50-c LITE	Installation of an additional post from a side element width		Installation of a wind support bracket from a side element width
	Without an integrated steel girder	With integrated steel girder	With/without an integrated steel girder
Pitch 0° – 15°	> 4000 mm	> 4400 mm	> 3000 mm
Pitch > 15° – 25°	> 3500 mm	> 3800 mm	> 3000 mm



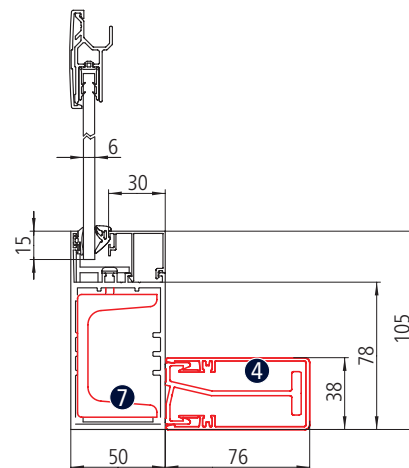
Side element ① and locking bar ②



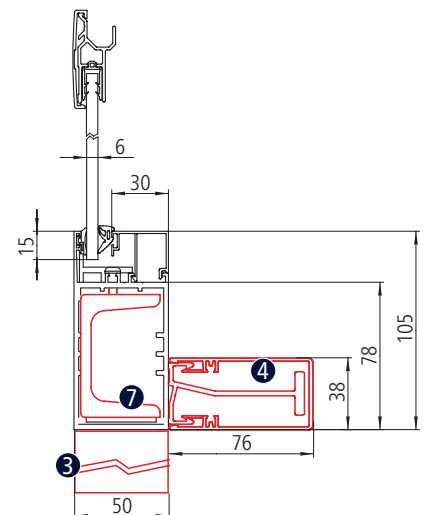
Side element and locking bar with steel reinforcement ⑦



Side element/locking bar with wind support bracket ④



Side element, locking bar with steel reinforcement ⑦ and wind support bracket ④



Side element, locking bar with steel reinforcement ⑦, wind support bracket ④, post (rectangular pipe) ③

weinor PergoTex II VertiTex II



VertiTex II – the vertical awning

The weinor VertiTex II vertical sun protection offers perfect visual and anti-dazzle protection. With its small cassette, the VertiTex II adapts inconspicuously to the weinor PergoTex II design.

weinor recommends the screens by weinor® collection. It includes four different, high-quality fabrics: StarScreen, Perluca, Soltis® and fibreglass screen. They all offer perfect sun protection and privacy for windows, the patio and balconies. Different degrees of transparency and how much air is let through are possible, depending on requirements.

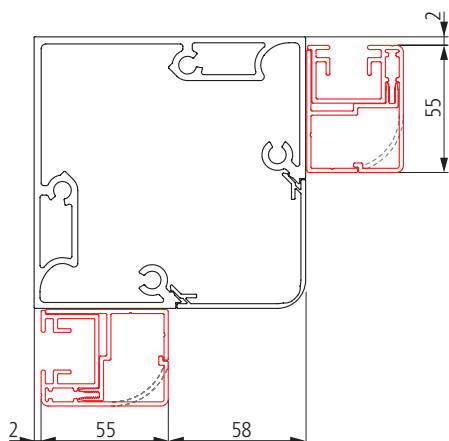
Note: Soltis® fabrics are not available for VertiTex II Zip.

• Modern round and square design

The VertiTex II cassette and guide rails are available in square and round designs, each in the sizes 75 mm and 92 mm.

VertiTex II details:

- Suitable for large areas (6,000 x 2,400 mm)
- VertiTex II for installation on the guttering for the front side
- VertiTex II on the sides
- Rope guide or guide rails



weinor PergoTex II in combination with the VertiTex II square design



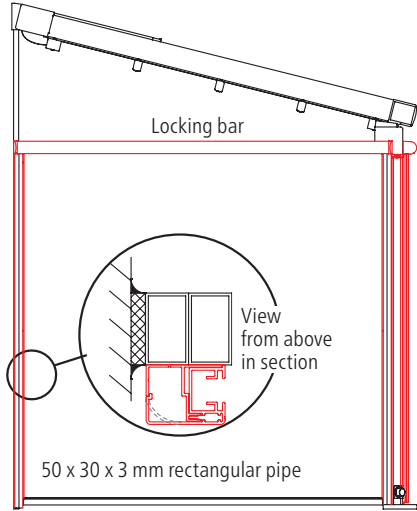
weinor PergoTex II in combination with the VertiTex II round design

Note:

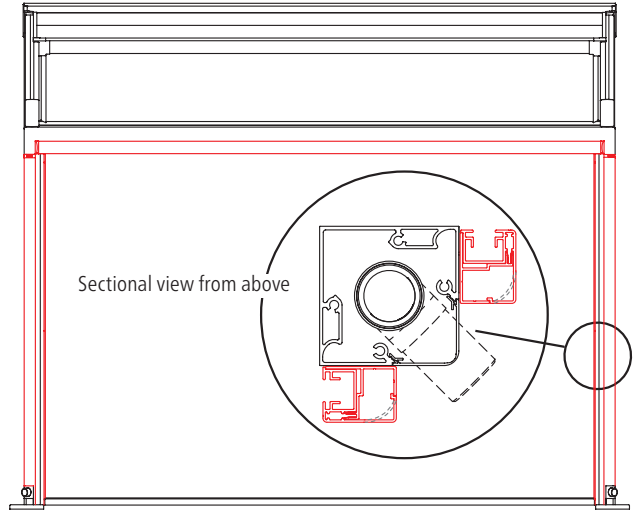
The installation of the VertiTex II on the front side of a weinor PergoTex II is easily possible on the guttering and the posts without further additional elements. Lateral VertiTex II sun protection systems require a wall-mounted rectangular pipe and the horizontal locking bar or the LITE side element. You can find more detailed information in the separate VertiTex II product brochure.

Dimensioning

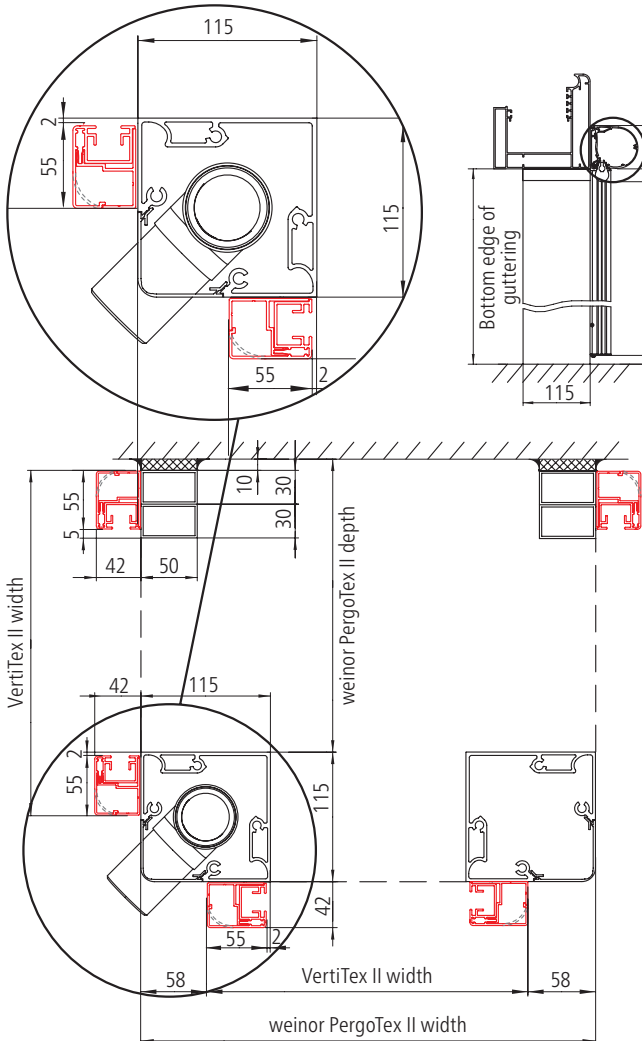
Position of the VertiTex II on the guttering and on the posts of the weinor PergoTex II



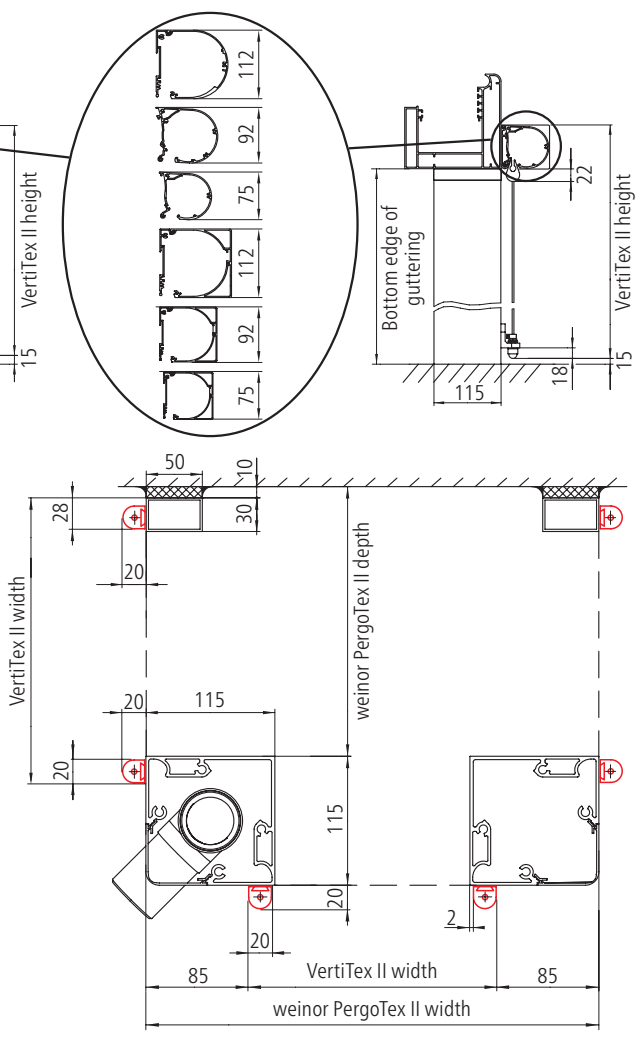
Side view



Front view



Top view of the VertiTex II rail guide on the weinor PergoTex II (front and side)



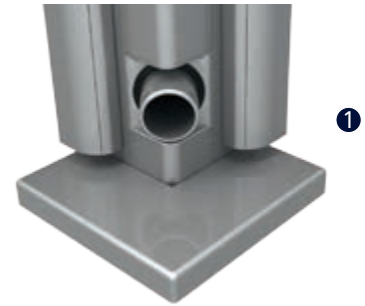
Top view of the VertiTex II rope guide on the weinor PergoTex II (front and side)

Water drainage for VertiTex II with rail guide

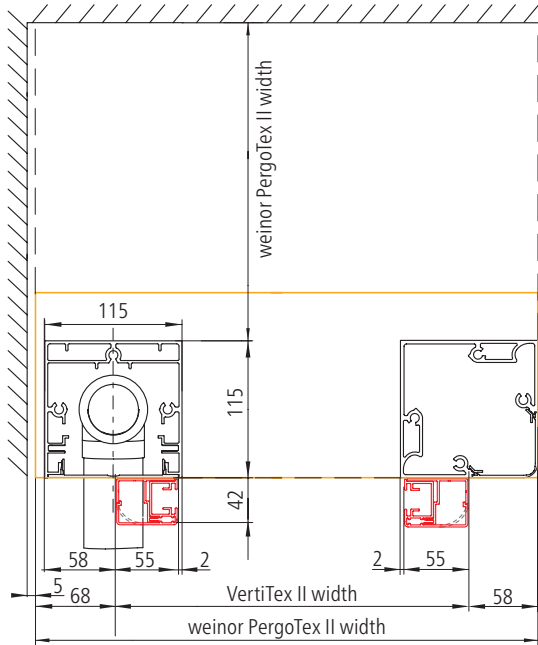
weinor PergoTex II water drainage with vertical sun protection (centre post and outside post)

The post and water drainage are designed in such a way that the projection of the VertiTex II always reaches nearly down to the bottom.

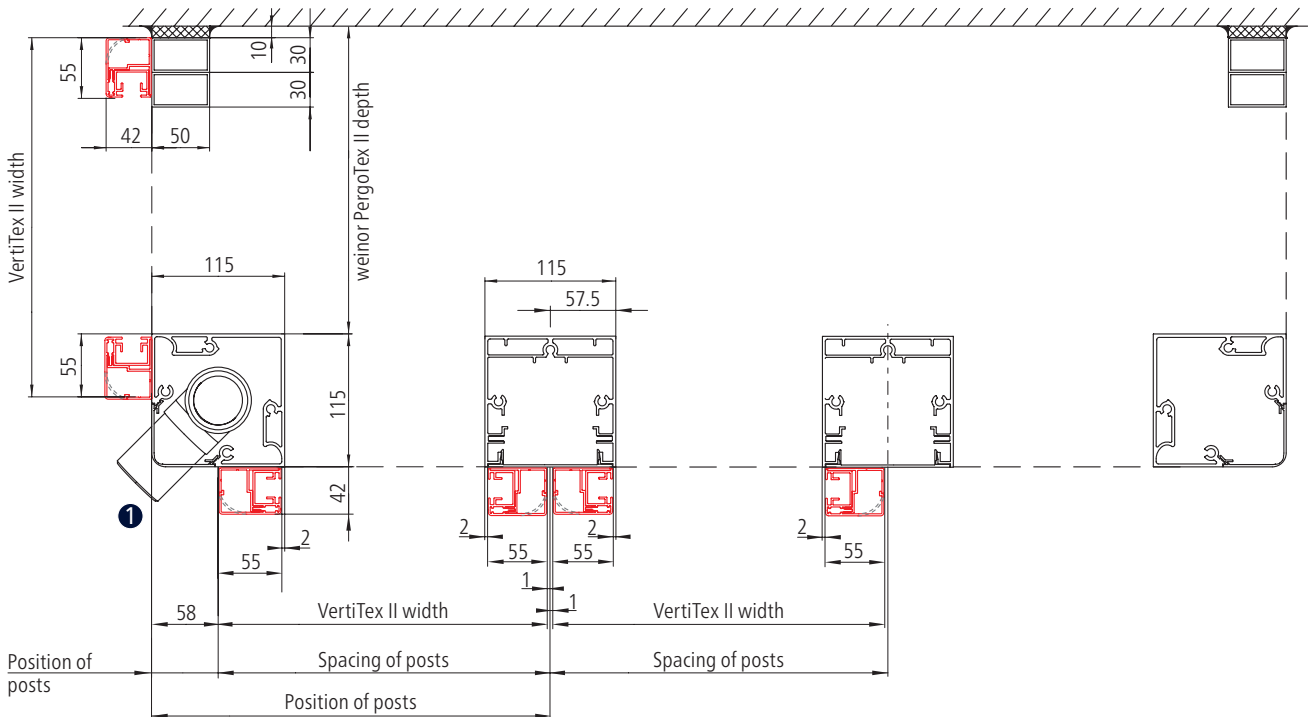
- Extra cast parts for one-sided or two-sided VertiTex II.



1 weinor PergoTex II water drainage, outside post with post plate and outside cover cap and 2 VertiTex II rail guides



Top view of the VertiTex II rail guide on the post of the weinor PergoTex II (limited laterally)

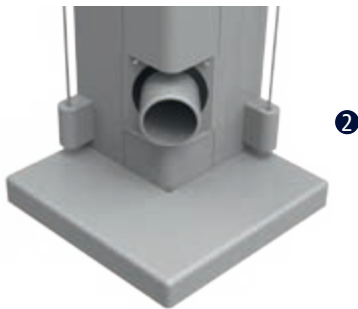


Top view of the three VertiTex II rail guide systems on the centre post of the weinor PergoTex II with drain

Water drainage for VertiTex II with rope guide

weinor PergoTex II water drainage with vertical sun protection (centre post and outside post)

The posts and water drainage are designed in such a way that the VertiTex II rope guide and water drainage always reach nearly down to the bottom.



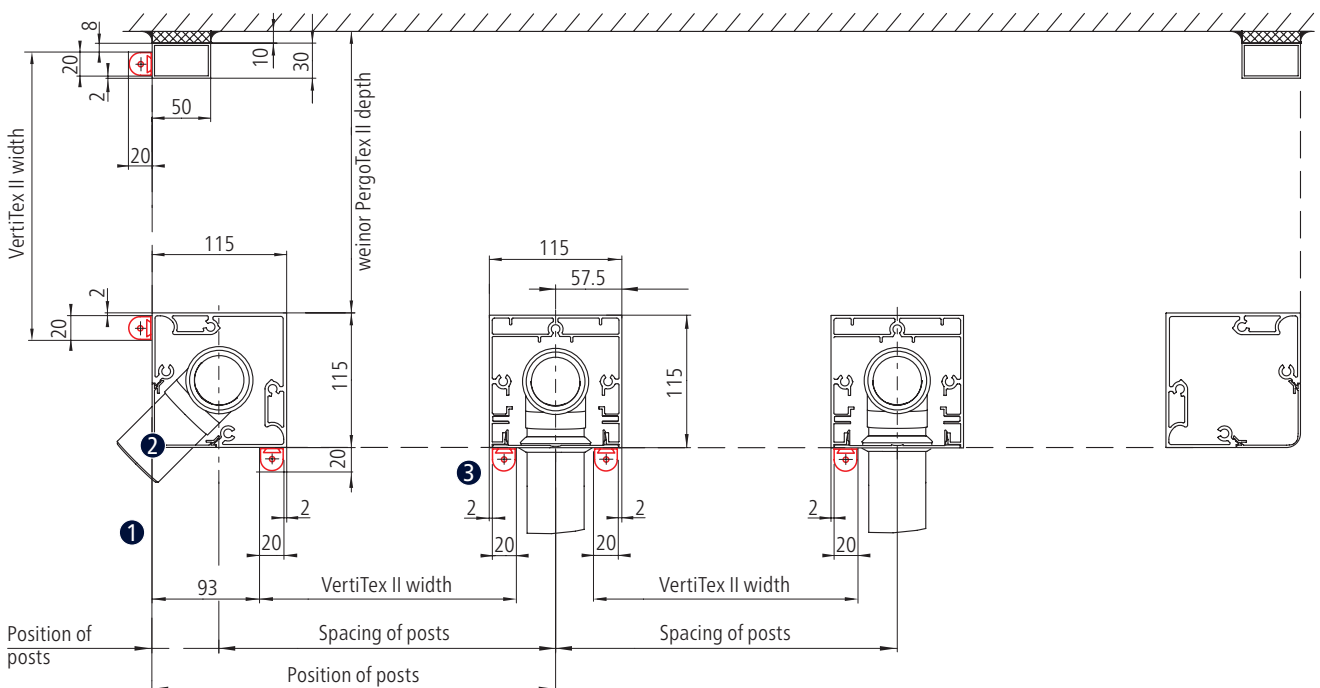
2

2 weinor PergoTex II water drainage, outside post with post plate and outside cover cap with 2 VertiTex II rope guides



3

3 weinor PergoTex II water drainage, centre post with 2 VertiTex II rope guides

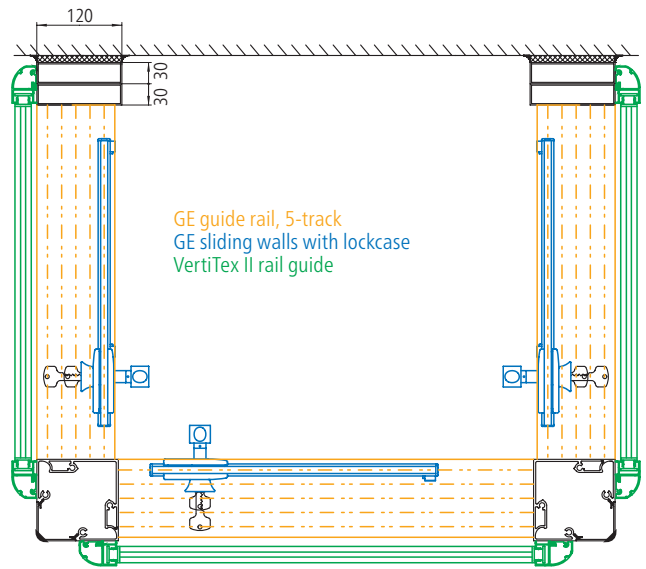
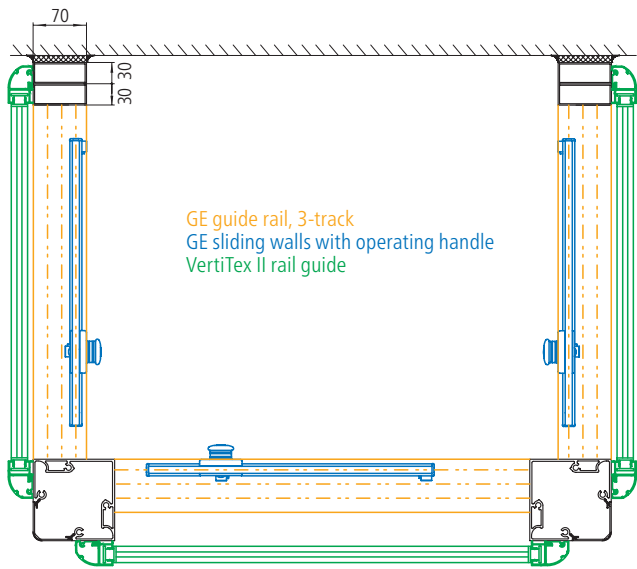


Top view of the three VertiTex II rope guide systems on the centre post of the weinor PergoTex II with drain

weinor PergoTex II Glazing Elements and VertiTex II

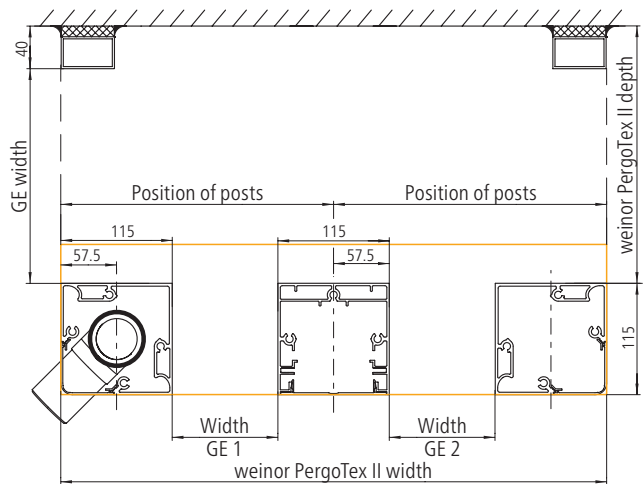
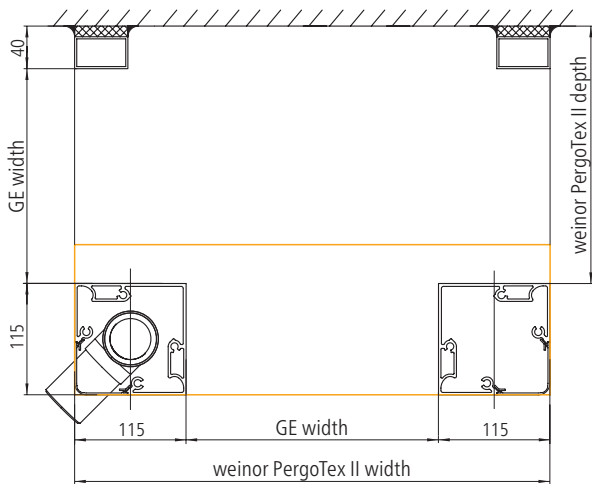
Dimensioning of glazing elements

Post positions when using glazing elements and positions of the VertiTex II in connection with glazing elements



The weinor PergoTex II can be installed without any problems in combination with the w17 easy full glass sliding doors and the VertiTex without collision

Position of the VertiTex II in connection with 5-track GE with lockcase (optional design) for collision-free functioning



weinor PergoTex II standard configuration with front and lateral position of the GE (the guttering is shown sketched in orange)

weinor PergoTex II with centre post and front position of the GE (the guttering is shown sketched in orange)

weinor PergoTex II Multi-section units

02



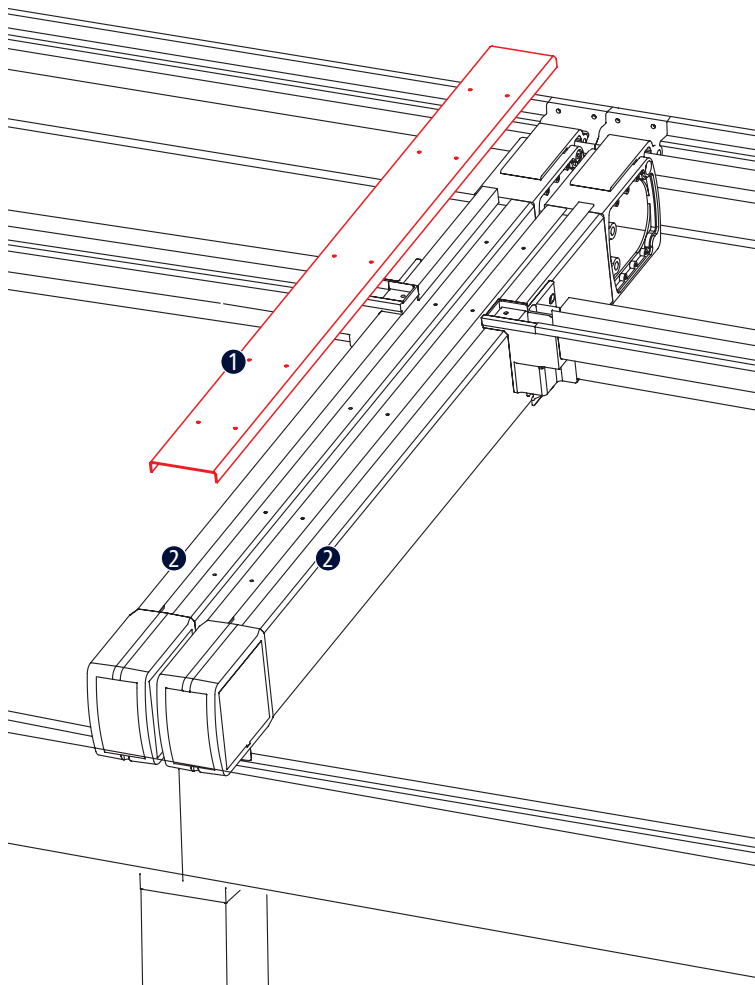
Multi-section units

The maximum size of a weinor PergoTex II pergola awning with two posts is 7,000 x 6,500 mm. Wider systems can be extended easily to become a multi-section unit by placing 1-unit systems next to each other. The 1-unit systems installed next to each other have a separate motor drive and can thus be retracted and extended separately. Deliberately dispensing with a continuous fabric facilitates the installation and the units are easy to maintain in the event of servicing or damage.



Example of a multi-section unit with different dimensioning (on the left with additional side channel). The maximum unit width with two side channels is 4,500 mm.

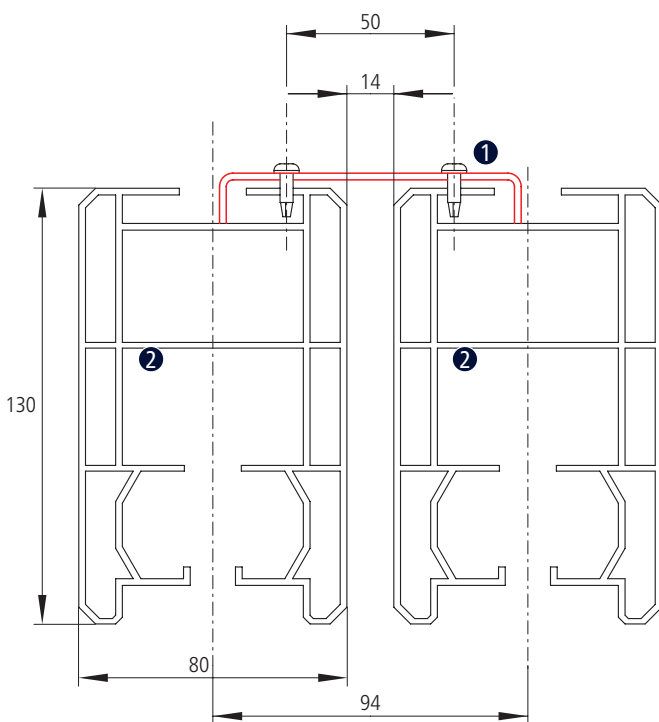
Connecting weinor PergoTex II systems using the coupling panel



The side channels of two units are connected and rain water can be prevented from entering between the units using the coupling panel ①.

Coupling panel ① on two side channels ②

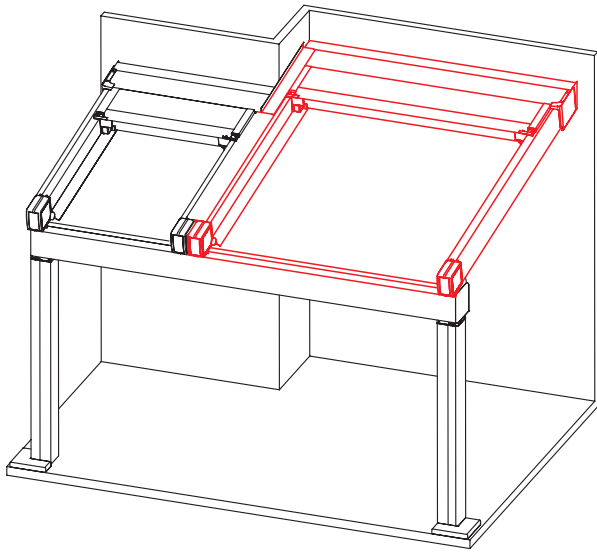
Note: guttering coupling point always without water drainage



Side channels with coupling panel (profile view)

weinor PergoTex II Multi-section units

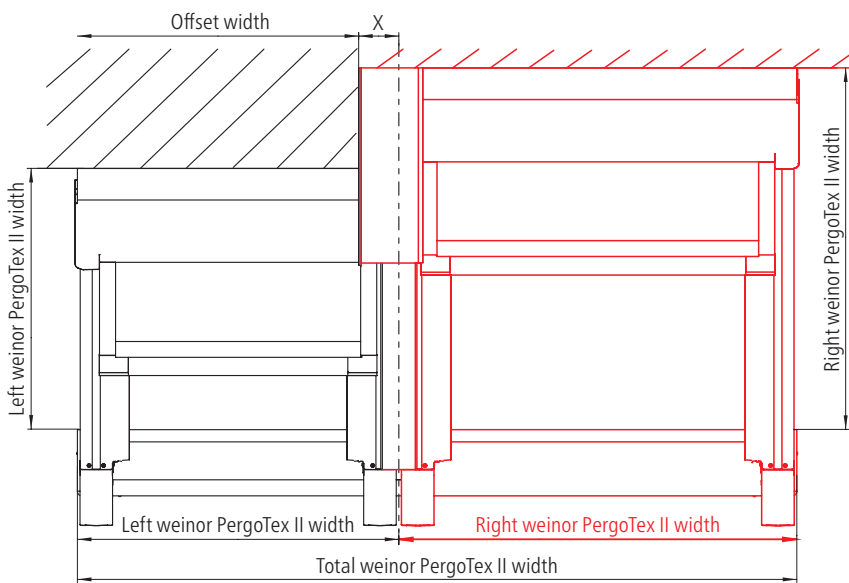
Multi-section units with offset



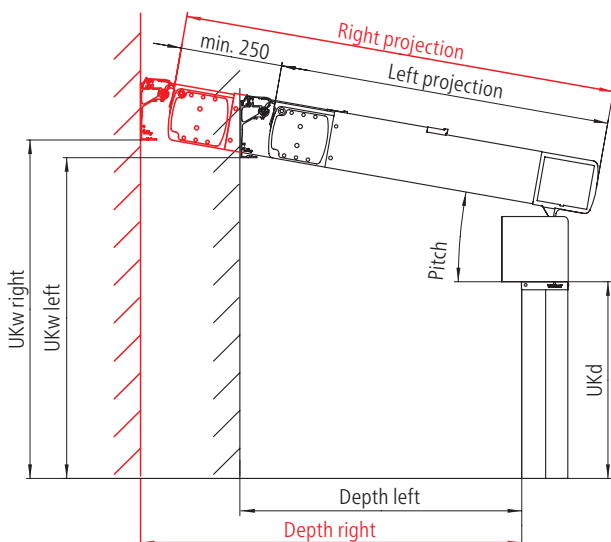
On request, various offset versions can be produced (e.g. wall offset).

Key
 x = lateral spacing 5 mm or 100 mm;
 weinor recommends installing the drive side of the awning with a spacing of 100 mm to the wall.

02



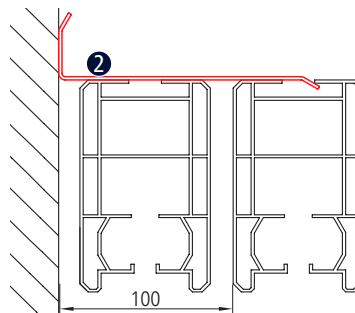
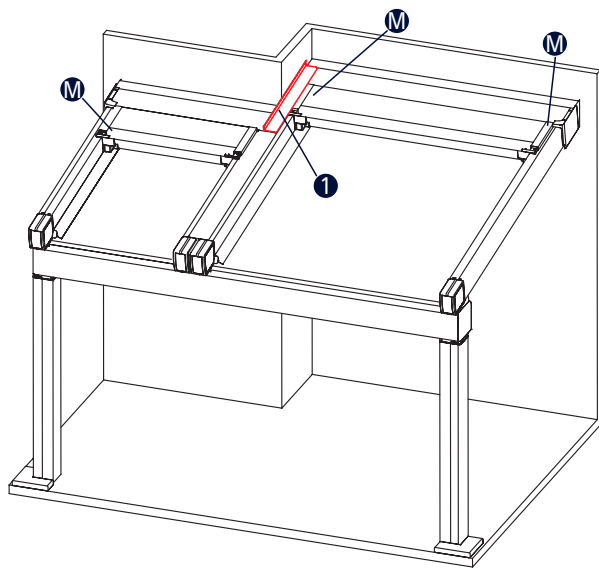
Multi-section unit with offset (top view)



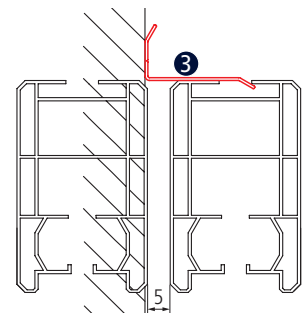
Multi-section unit with offset (profile view)

Gap covering in the wall offset with lateral wall bracket

The lateral wall bracket ❶ covers the gap between the wall and the unit in the wall offset area and protects against penetrating rain water. The lateral wall bracket ❶ can be adapted to the structural conditions and cut to the required length.



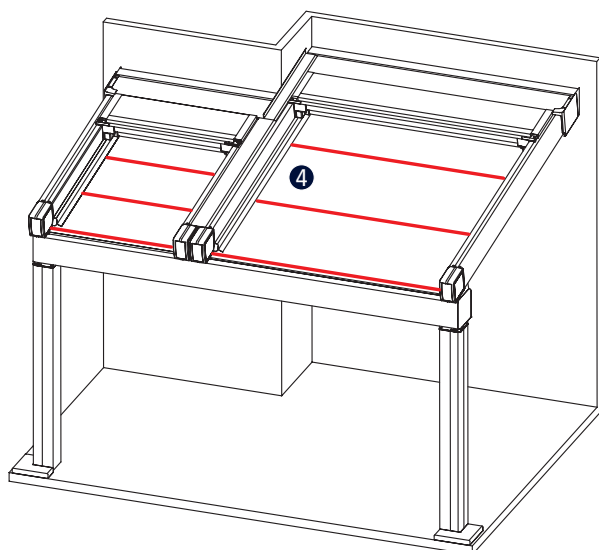
"Large" lateral wall bracket ❷, for unit 2 with drive on the left (M) (lateral spacing of 100 mm)



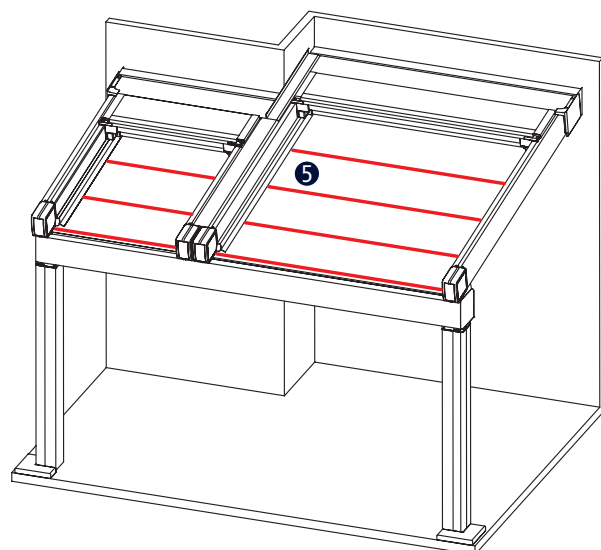
"Small" wall bracket ❸, for unit 2 with drive on the right (M) (lateral spacing of 5 mm)

Correction of different stave positions in the case of wall offset

Due to the different depth, the transoms have different spacing between each other ❹. The transoms of the 1-unit systems have different positions when they are extracted. An adjustment of the stave positions is possible subject to a surcharge ❺.



Different stave positions in the case of wall offset without adjustment ❹



Stave positions in the case of wall offset with adjustment ❺

Type overview of single-unit and multi-section units

Standard dimensions, post positions and side channel positions

Unit configuration	Drawing (view from above)	Width min.	Width max.	Gutter coupling
Standard 1-unit system		1920	4500	no
1-unit system with 3rd side channel symmetrical		4501	7000	no
1-unit system with 3rd side channel asymmetric		4501	7000 (max. unit width 4999 mm)	no
Multi-section unit symmetrical (Two-part fabric design, 7,000 to 14,000 mm)		7001	9000	Yes
Multi-section unit, asymmetric		7001	< 9000	Yes
Multi-section unit asymmetric with 3rd side channel in one unit symmetrical		7001	115000	Yes

Coupling of octagonal shaft: 1/3 - 2/3 (units are considered separately)

weinor PergoTex II Multi-section Units

Type overview of single-unit and multi-section units

Standard dimensions, post positions and side channel positions

Unit configuration	Drawing (view from above)	Width min.	Width max.	Gutter coupling
Multi-section unit symmetrical with 3rd side channel in two units symmetrical		9001	14000	Yes
Multi-section unit asymmetric with 3rd side channel in one unit asymmetric and with 3rd side channel in the other unit symmetrical		9001	14000	Yes
Multi-section unit symmetrical with 3rd side channel in one unit asymmetric and with 3rd side channel in the other unit asymmetric		9001	14000	Yes
Multi-section unit asymmetric with 3rd side channel in one unit asymmetric and with 3rd side channel in the other unit asymmetric		9001	14000	Yes
Multi-section unit symmetrical with 3rd side channel in one unit symmetrical and with 3rd side channel in the other unit symmetrical		9001	14000	Yes, twice

Coupling of octagonal shaft: 1/3 - 2/3 (units are considered separately)

weinor PergoTex II Installation

Installation on the wall using the continuous wall connection profile

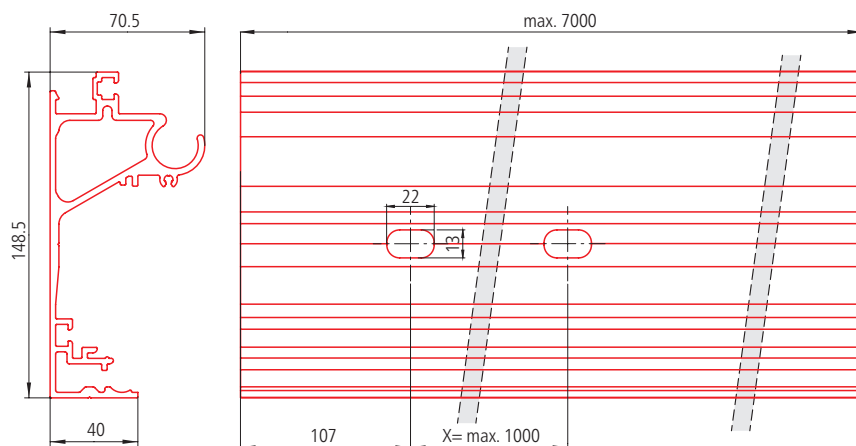
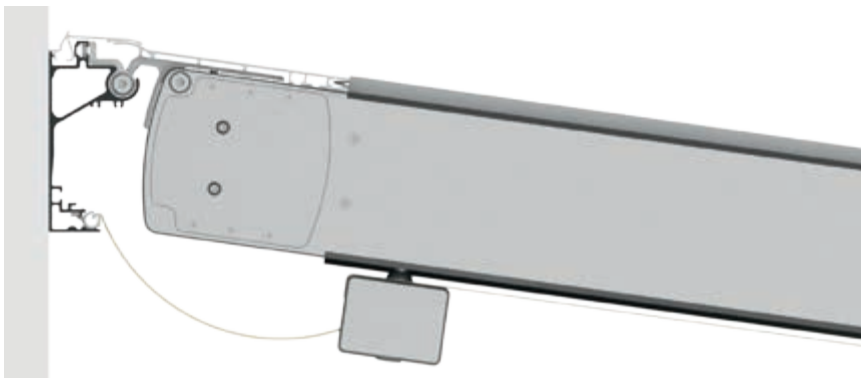
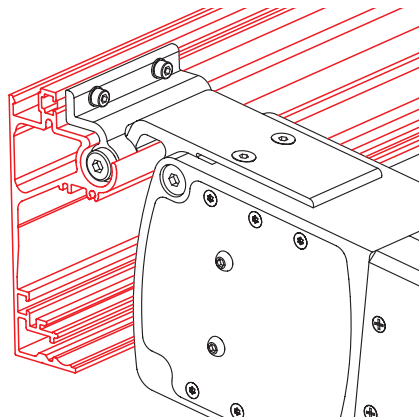


The weinor PergoTex II is installed to a wall* using the wall connection profile. On the one hand, the wall connection profile is used for the comfortable, visually appealing and stable installation of the weinor PergoTex II.

On the other hand, the wall gap sealing profile is the installation location for the remote receiver, the power supply pack (LED option) and other electric components which are installed there so that they are invisible, but can be still accessed easily for servicing.



Installation of the weinor PergoTex II on the wall using the wall connection profile



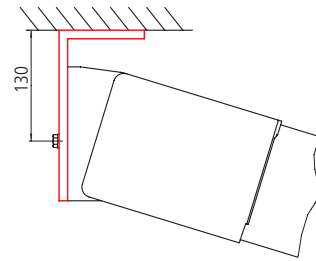
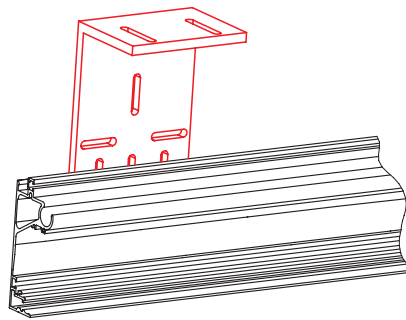
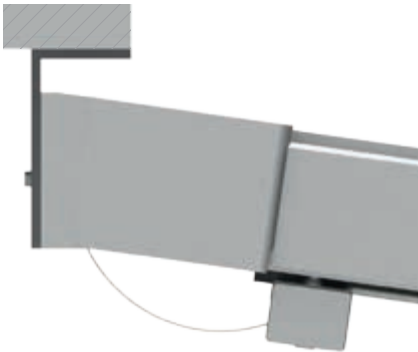
* For the installation of the weinor PergoTex II on a ceiling, laterally on a wall or in a niche, the wall connection profile is mounted using angle brackets; see the following chapter: "Angle brackets".

weinor PergoTex II Installation

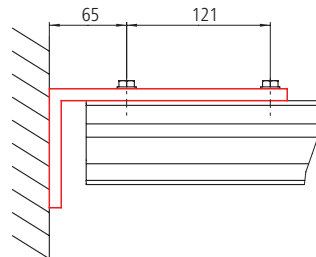
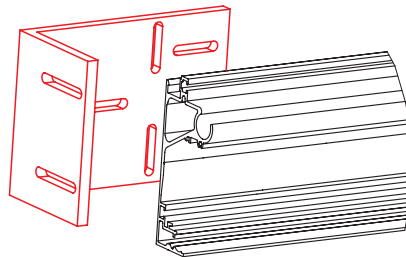
Angle bracket

Thanks to the weinor angle brackets, the weinor PergoTex II can be installed easily and in a stable and flexible manner for any structural condition.

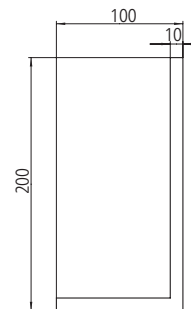
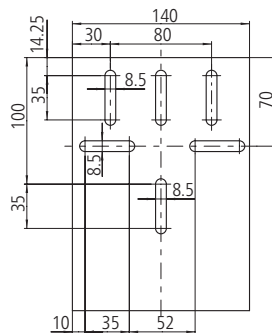
Installation on a ceiling, laterally on a wall or in a niche



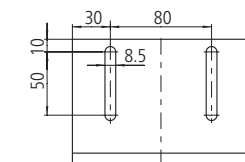
Installation on a ceiling



Installation laterally on a wall or in a niche using the 200 x 100 x 10 x 140 mm angle bracket



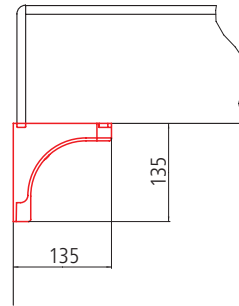
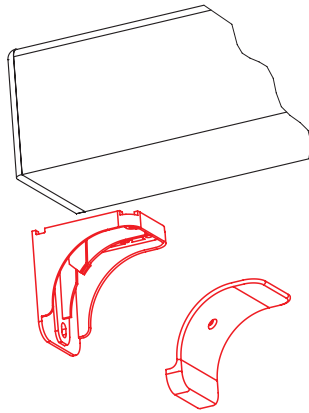
weinor PergoTex II 200 x 100 x 10 x 140 mm angle bracket



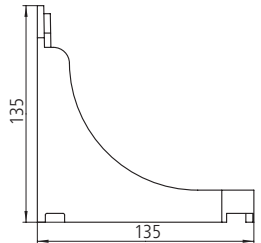
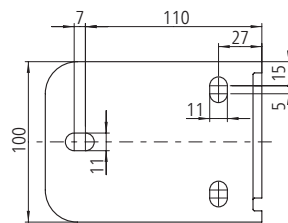
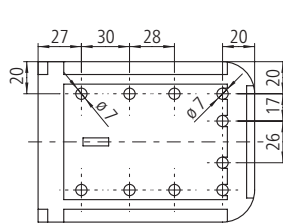
Installation of the guttering laterally on a wall



Installation of the guttering laterally on a wall using the guttering angle bracket

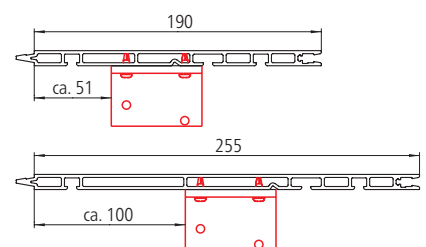
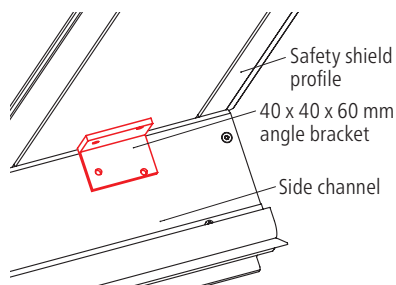


weinor PergoTex II guttering angle bracket



Installation of the safety shield on the safety shield profile from below

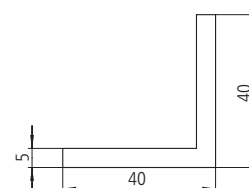
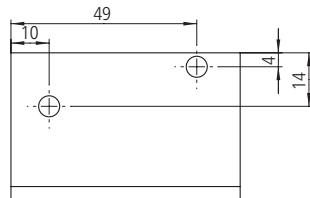
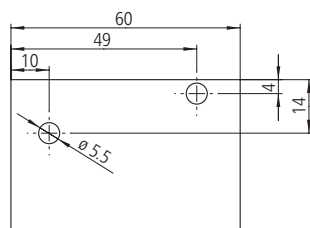
Using the weinor 40 x 40 x 5 x 60 mm angle bracket, it is possible to screw the safety shield to the safety shield profiles from below if there is no space to install it from above (e.g. under a balcony).



Safety shield profile with 40x40x5x60 mm angle bracket/side view



weinor PergoTex II 40 x 40 x 5 x 60 mm angle bracket

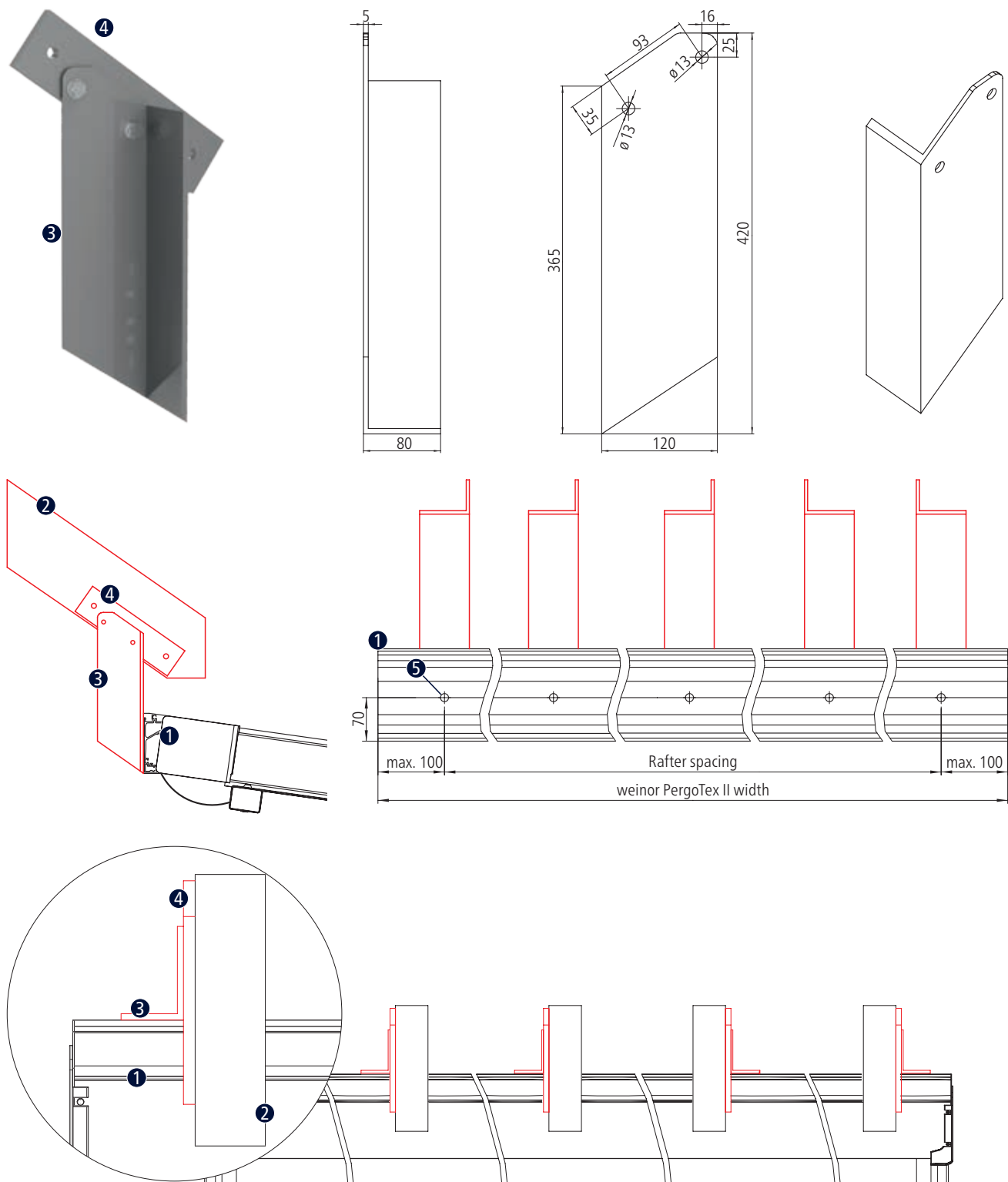


weinor PergoTex II Installation

Rafter mounting

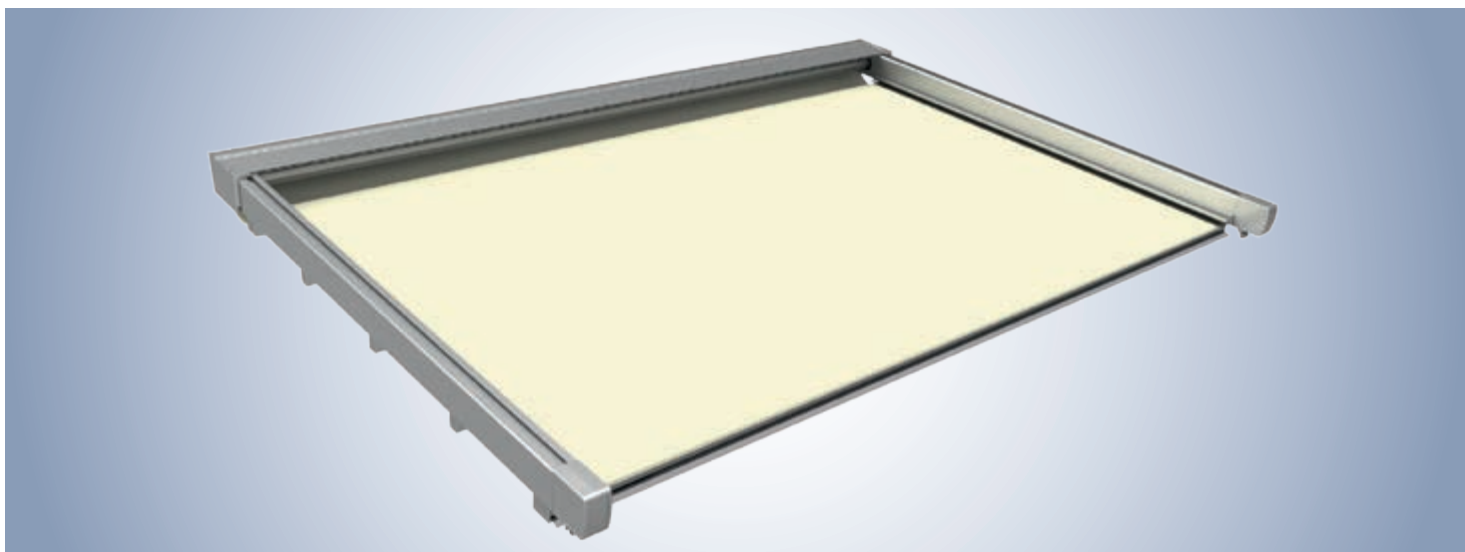
On request, rafter mounting is possible (optional). The wall connection profile **1** is installed on rafters **2** on site using weinor rafter brackets **3** and mounting plates **4**. In the case of the optional rafter mounting, the wall connection profile is supplied without mounting holes pre-drilled **3** in the factory*. Mounting holes in the wall connection profile must be drilled on site according to the rafter spacing.

* No annoying visible mounting holes which are not used. The optional rafter mounting must be specified when placing the order to ensure that the wall gap sealing profile is delivered without mounting holes **5**.





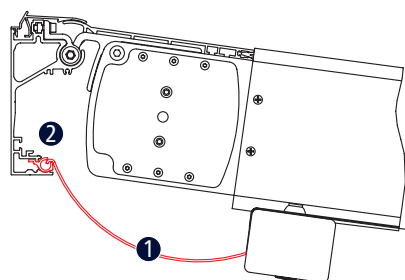
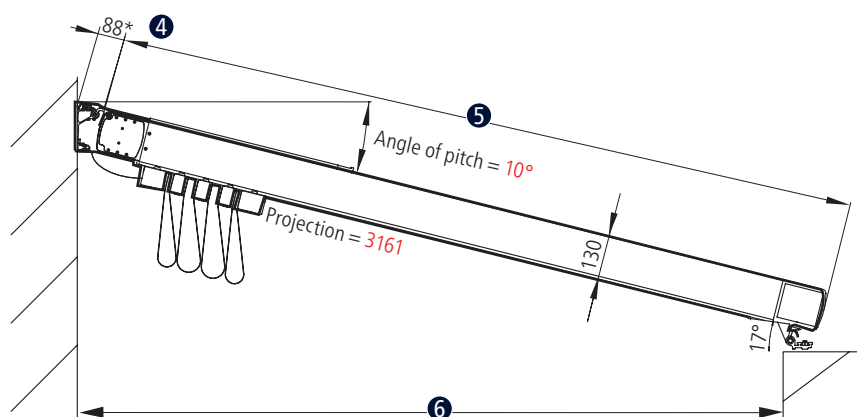
weinor PergoTex II Basic



weinor PergoTex II Basic (without posts and guttering)

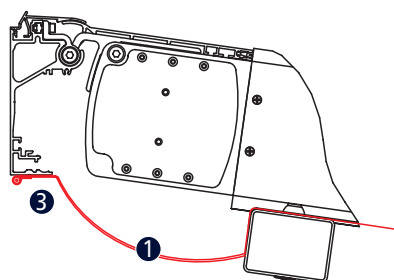
The weinor PergoTex II Basic is supplied without posts, fabric safety shield and guttering (basic version). It is always the suitable option in particular if the pergola awning is to be placed and installed on existing masonry or on existing posts. Due to its design, it cannot be combined with the VertiTex and the glazing elements, full glass sliding door, LITE side element or fixed glazing.

Projection and pitch



Fabric end 0° to 18°

With a weinor PergoTex II at an angle of pitch from 0° to 18°, the fabric end **1** is made by welding the fabric in the wall connection profile **2**.



Fabric end > 18° to 25°

From an angle of pitch > 18° to 25°, the fabric is mounted to the wall connection profile using a velcro fastener **3**.

Like the weinor PergoTex II, the weinor PergoTex II Basic can also be aligned with an angle of pitch from 0° to 25°.

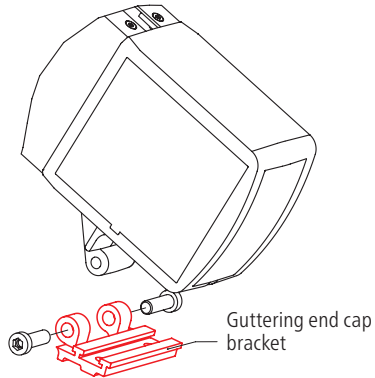
The projection **5** of the weinor PergoTex II Basic is the basis for determining the costs. The basis is a given horizontal patio depth **6**, the height of the wall bracket, the angle of pitch or the height of the bottom edge at the front. The projection **5** and dimensions **4** are determined in a similar way to the weinor PergoTex II

(please see the weinor PergoTex II Planning section, weinor PergoTex II projection).

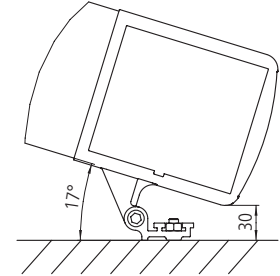
Installation on a wall



Example of wall mounting

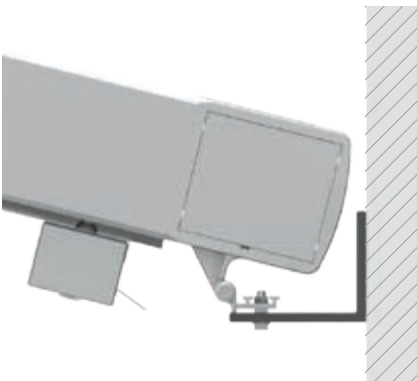


Example of an angle bracket on a wall

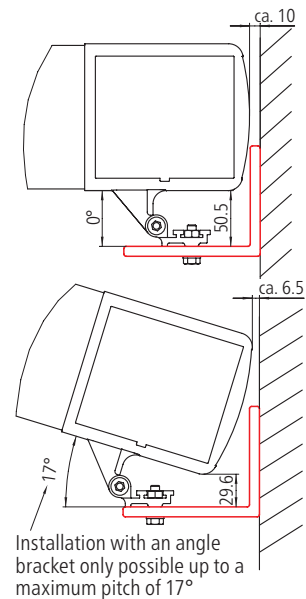
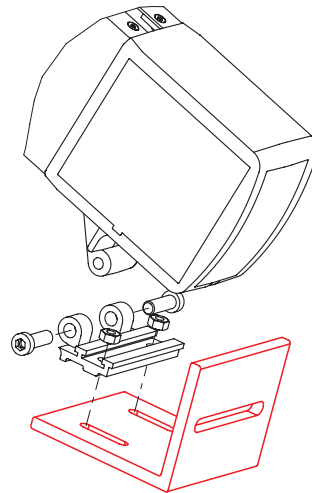


Installation on a wall (profile view)

Installation on a wall



Installation on a wall using a 124 x 100 x 9 x 120 mm angle bracket

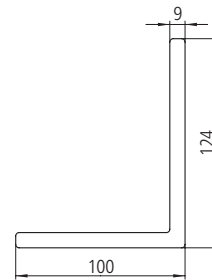
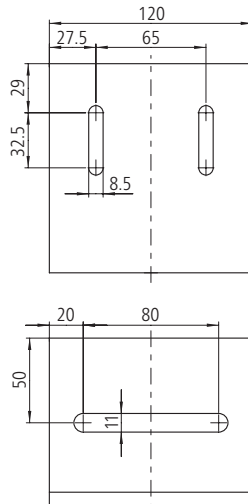


Installation with an angle bracket only possible up to a maximum pitch of 17°

Installation on a wall (profile view)

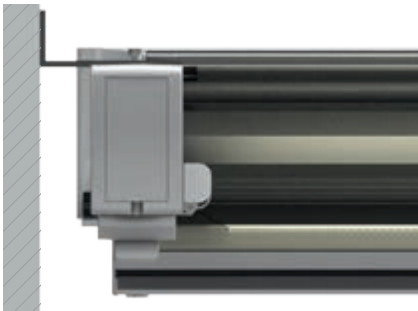


weinor PergoTex II Basic
124 x 100 x 9 x 120 mm angle bracket

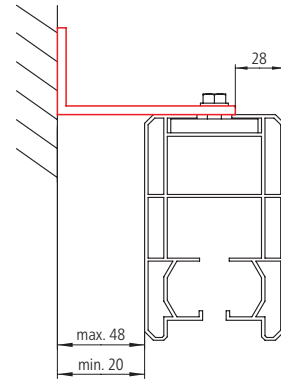
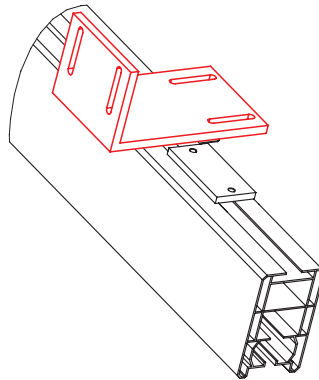


weinor PergoTex II Basic

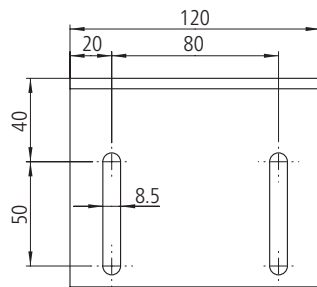
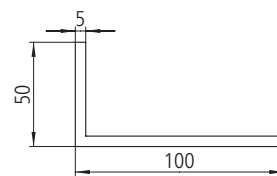
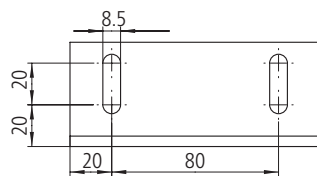
Installation laterally on a wall or in a niche



Installation of the weinor PergoTex II Basic in a niche or laterally on a wall using the 100 x 50 x 5 x 120 mm angle bracket



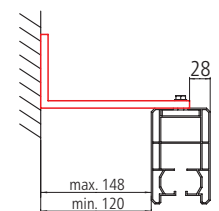
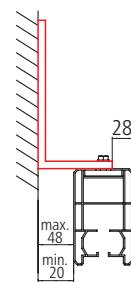
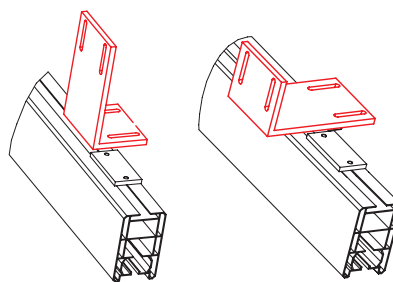
weinor PergoTex II Basic
100 x 50 x 5 x 120 mm angle bracket



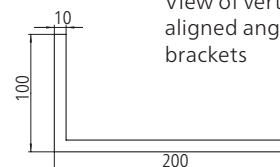
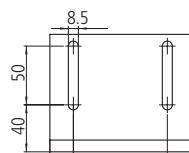
Installation in a niche



Installation of the weinor PergoTex II Basic in a niche or laterally on a wall using the 200 x 100 x 10 x 120 mm angle bracket

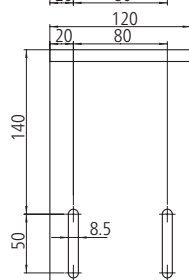


weinor PergoTex II Basic
200 x 100 x 10 x 120 mm angle bracket

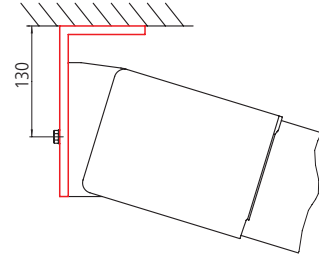
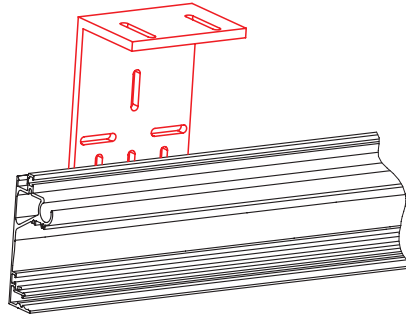
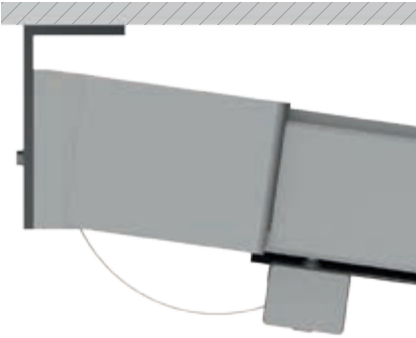


View of vertically aligned angle brackets

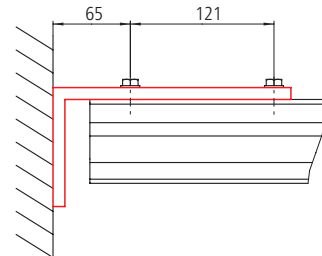
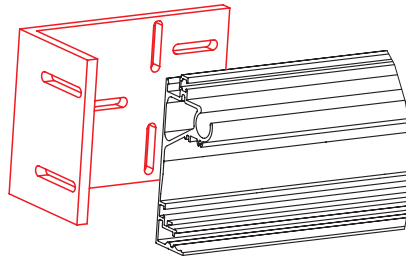
View of horizontally aligned angle brackets



Installation on a ceiling or with larger lateral spacing



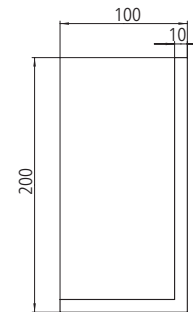
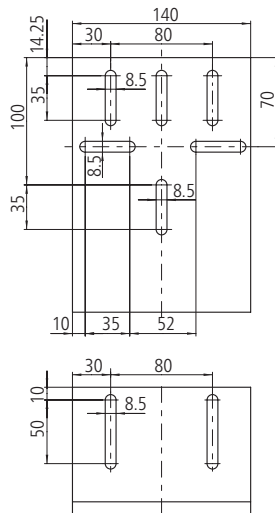
Installation under a balcony (ceiling installation) using the 200 x 100 x 10 x 140 mm angle bracket



Installation of the weinor PergoTex II Basic in a niche or laterally on a wall



weinor PergoTex II Basic
200 x 100 x 10 x 140 mm angle bracket





Premium quality
made in Germany



Awning



Awning
with Valance Plus
and Tempura



Awning
with Valance Plus
and Paravento



Pergola awning
Plaza Viva
and Paravento



Pergola awning
weinor PergoTex II
and Tempura



Pergola awning
weinor PergoTex II
with VertiTex II



Terrazza
patio roof
with Sottezza II
sun protection



Terrazza patio roof
with lateral SUPER LITE
fixed glazing



Glasoase® with
conservatory awning
WGM Top and full glass
sliding door w17 easy

AWNINGS

PERGOLA AWNINGS

CUSTOMISED, SYSTEMISED SOLUTIONS

PATIO ROOFS AND GLASOASE®

We reserve the right to make technical changes as well as changes in range and product portfolio. For technical reasons, the colours may appear slightly different when printed.

As of: 11/2018

