

Blinds by Peter Meyer
orders@petermeyerblinds.com.au
www.weinoraustralia.com.au

Quote/offer Order

Customer name _____

Information required (in mm)

Cassette width (max. 6000) _____

Projection (max. 5000) _____

Bottom edge of wall bracket to floor _____

Clearance height (from side channel to floor) _____

Ueg (from centre of post to outer edge of side channel) _____

Additional information, not essential (in mm)

Depth (wall to inner edge of post) _____

Total depth _____

Angle of pitch _____

Customer number

--	--	--	--	--	--

weinor sales representative _____

Order number/reference _____

Order date _____

Customer requested delivery date _____

Different delivery address to normal/miscellaneous _____

Plaza Viva Stretch		Plaza Viva OptiStretch	
Plaza Viva LED Stretch		Plaza Viva LED OptiStretch	

Quantity _____

- Supply front profile loose and packed separately
- Supply front profile assembled (standard)

Frame colour

RAL colour Trend colour

Colour name _____

Fabric

Fabric sewn with PTFE yarn

Pattern no. _____

With BiConnect radio control

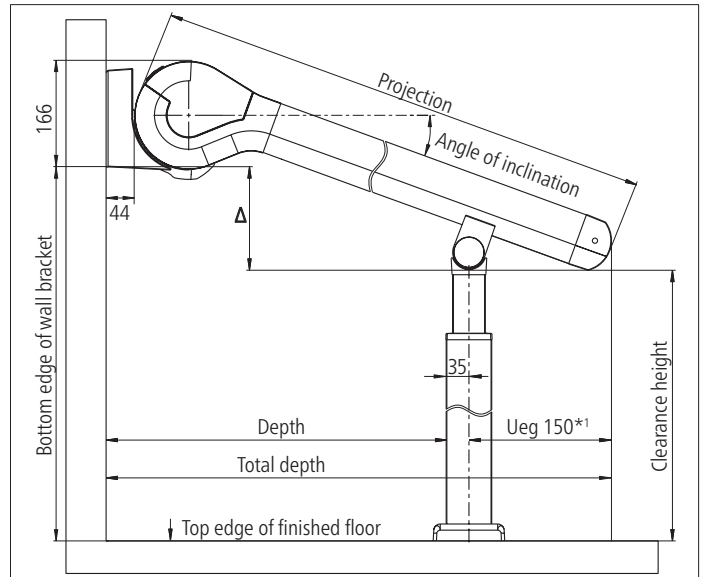
yes no

Motor drive (viewed from the outside)

Motor left Motor right

- Becker (standard) Becker test lead required
- Somfy RTS motor Somfy io-homecontrol® radio motor

Caution! The BiConnect radio control can only be delivered with the Becker motor.



*1 This dimension refers to the Plaza Viva with fixed posts. With the telescopic post the Ueg dimension is 300 mm.

BiConnect radio control

BiConnect sensors

- BiSens SW 230V BiSens SWR 230V
- BiSens SW Solar+
(With telescopic posts or Valance Plus, no sensors should be used or they have to be switched to manual operation.)

BiConnect radio transmitter

- BiEasy 1M BiEasy 5M
- BiEasy 15M Go!
- BiEasy 1MW-3V (wall transmitter, white)

The hand transmitter is available in two colours to choose from

- black silver

Somfy hand transmitter

- | | |
|---|--|
| <input type="checkbox"/> Situo 1 io Pure II | <input type="checkbox"/> Situo 1 RTS Pure II |
| <input type="checkbox"/> Situo 5 io Pure II | <input type="checkbox"/> Situo 5 RTS Pure II |
| <input type="checkbox"/> Situo 5 Variation A/M io Pure II | <input type="checkbox"/> Situo 1 Soliris RTS Pure II |
| | <input type="checkbox"/> Situo 5 Soliris RTS Pure II |

Somfy controls (separate order form)

* Also see separate order form for multi-section units

Plaza Viva with Valance Plus

Options for Plaza Viva Valance Plus

Only possible with gear drive

Gear drive (standard: always the side with fixed post) left right

Gear handle length (in mm) 800 1000 1200 1400 1600

Valance Plus length (in mm) 1000 1500 2100

Fabric**

Pattern no. _____

Quick fabric selection for Valance Plus

Recommendation: use extra-wide fabrics to avoid a fabric seam.

StarScreen fabrics				
<input type="checkbox"/> 7-108	<input type="checkbox"/> 7-109	<input type="checkbox"/> 7-106	<input type="checkbox"/> 7-110	<input type="checkbox"/> 7-103
<input type="checkbox"/> 7-105	<input type="checkbox"/> 7-104	<input type="checkbox"/> 7-111	<input type="checkbox"/> 7-107	<input type="checkbox"/> 7-100
<input type="checkbox"/> 7-101	<input type="checkbox"/> 7-102			

Soltis® 86 fabrics <small>*2 only in 177 cm unit widths</small>				
<input type="checkbox"/> 86-2044	<input type="checkbox"/> 86-2175	<input type="checkbox"/> 86-2135	<input type="checkbox"/> 86-2166*2	<input type="checkbox"/> 86-2045
<input type="checkbox"/> 86-2043	<input type="checkbox"/> 86-2171	<input type="checkbox"/> 86-2167	<input type="checkbox"/> 86-2047	
BiColour:	<input type="checkbox"/> 86-2046	<input type="checkbox"/> 86-2048	<input type="checkbox"/> 86-2068*2	

Soltis® 92 fabrics <small>*2 only in 177 cm unit widths</small>				
<input type="checkbox"/> 92-2044	<input type="checkbox"/> 92-2175	<input type="checkbox"/> 92-2135	<input type="checkbox"/> 92-2166*2	<input type="checkbox"/> 92-2045
<input type="checkbox"/> 92-2043	<input type="checkbox"/> 92-2171	<input type="checkbox"/> 92-2167	<input type="checkbox"/> 92-2047	
BiColour:	<input type="checkbox"/> 92-2046	<input type="checkbox"/> 92-2048	<input type="checkbox"/> 92-2068*2	

Perluca air-permeable acrylic fabrics			
<input type="checkbox"/> 3-830P	<input type="checkbox"/> 3-708P	<input type="checkbox"/> 3-509P	<input type="checkbox"/> 3-720P

Fibreglass screen (max. valance length 1500 mm)				
<input type="checkbox"/> 7-201	<input type="checkbox"/> 7-202	<input type="checkbox"/> 7-203	<input type="checkbox"/> 7-204	<input type="checkbox"/> 7-205
<input type="checkbox"/> 7-206	<input type="checkbox"/> 7-207	<input type="checkbox"/> 7-208	<input type="checkbox"/> 7-209	<input type="checkbox"/> 7-210
<input type="checkbox"/> 7-211	<input type="checkbox"/> 7-212	<input type="checkbox"/> 7-213	<input type="checkbox"/> 7-214	<input type="checkbox"/> 7-215
<input type="checkbox"/> 7-216	<input type="checkbox"/> 7-217	<input type="checkbox"/> 7-218	<input type="checkbox"/> 7-219	<input type="checkbox"/> 7-220

Seamless plain acrylic fabrics			
<input type="checkbox"/> 3-830	<input type="checkbox"/> 3-708	<input type="checkbox"/> 3-509	<input type="checkbox"/> 3-720

Important information

- With installation of multi-section units the maximum width per field is 6,000 mm, larger widths on request (also see separate order form for multi-section units).
- Ridge installation is recommended with position exposed to winds. The cassette roof is fixed with one or more additional roof supports in the factory.
- The position of the telescopic post has to be specified precisely so that the height adjustment can be limited in the factory. The Ueg dimension is 150 mm with the fixed post and 300 mm with the telescopic post. Moving the height-adjustable telescopic post by hand may damage the construction.
- The telescopic post is used to incline the side channel and drop profile by up to 4°. By installing the Plaza Viva with 4° pitch and also lowering the telescopic post or the side channel by up to 4°, the rain is drained off reliably. The lowering depends on the construction's projection and width and can be up to 350 mm.
- With the Plaza Viva with Valance Plus option, the rain drains off reliably from a 5° pitch and additional lowering of the telescopic post.
- Please note that the telescopic post must either be in the fully raised or fully lowered position.
- Depending on the substrate, we recommend using additional brackets.

Options

Complete telescopic post

(max. one adjustable post possible per construction)

None (standard) left or right

<input type="checkbox"/> Cut posts to specific height _____ mm
<input type="checkbox"/> Different gear handle height (gear handle height is 900 mm from TEFF as standard) _____ mm
<input type="checkbox"/> Ridge installation (additional roof support)
<input type="checkbox"/> Wall sealing profile _____ mm
<input type="checkbox"/> Weighted base _____ quantity

Accessories

<input type="checkbox"/> Additional Fabric support roller at top, compl. _____ quantity
<input type="checkbox"/> Additional Fabric support roller at bottom, complete (not possible with Valance Plus) _____ quantity
<input type="checkbox"/> Wall connection roof complete
<input type="checkbox"/> Additional wall bracket, complete _____ quantity
<input type="checkbox"/> Rafter bracket with mounting plate, complete <input type="checkbox"/> right _____ quantity <input type="checkbox"/> left _____ quantity
<input type="checkbox"/> Rafter bracket without mounting plate, complete <input type="checkbox"/> right _____ quantity <input type="checkbox"/> left _____ quantity
<input type="checkbox"/> 235 x 160 x 18 x 180 angle, complete (roof mounting/installation on wall) _____ quantity
<input type="checkbox"/> Distance bracket (to bridge e.g. downspout) _____ quantity Length (max. 300 mm)
<input type="checkbox"/> Stilt (for installation on roof) Stilt length _____ (max 600 mm) House roof pitch _____ °
<input type="checkbox"/> Angle bracket (for front post fixation) _____ quantity
<input type="checkbox"/> Post plate standard 200 x 100 x 10 _____ quantity
<input type="checkbox"/> Cover cap for post plate _____ quantity
<input type="checkbox"/> Post plate 200 x 200 x 10 _____ quantity
<input type="checkbox"/> Cover cap 211 x 211 x 26 _____ quantity
<input type="checkbox"/> Post plate 200 x 140 x 10 _____ quantity
<input type="checkbox"/> Cover cap 211 x 145 x 26 _____ quantity
<input type="checkbox"/> Post plate for Krinner screw foundations KSF F _____ quantity
<input type="checkbox"/> 100 x 50 x 5 x 120 wall-mount angle bracket, complete (side fixing on wall) _____ quantity
<input type="checkbox"/> Base plate for wall bracket _____ quantity <input type="checkbox"/> 5 mm <input type="checkbox"/> 10 mm <input type="checkbox"/> 15 mm <input type="checkbox"/> 20 mm
<input type="checkbox"/> Cable clip _____ quantity
<input type="checkbox"/> Tempura heating system (see separate order form) _____ quantity

* Also see separate order form for multi-section units

** The following designs are not available for Valance Plus:
6-334, 6-335, 6-390, 6-397, 6-400, 6-403, 6-409, 6-410, 6-415

The order is placed according to the valid general terms of delivery and payment of weinor.

Signature