



Premium quality
Made in Germany



Accessories

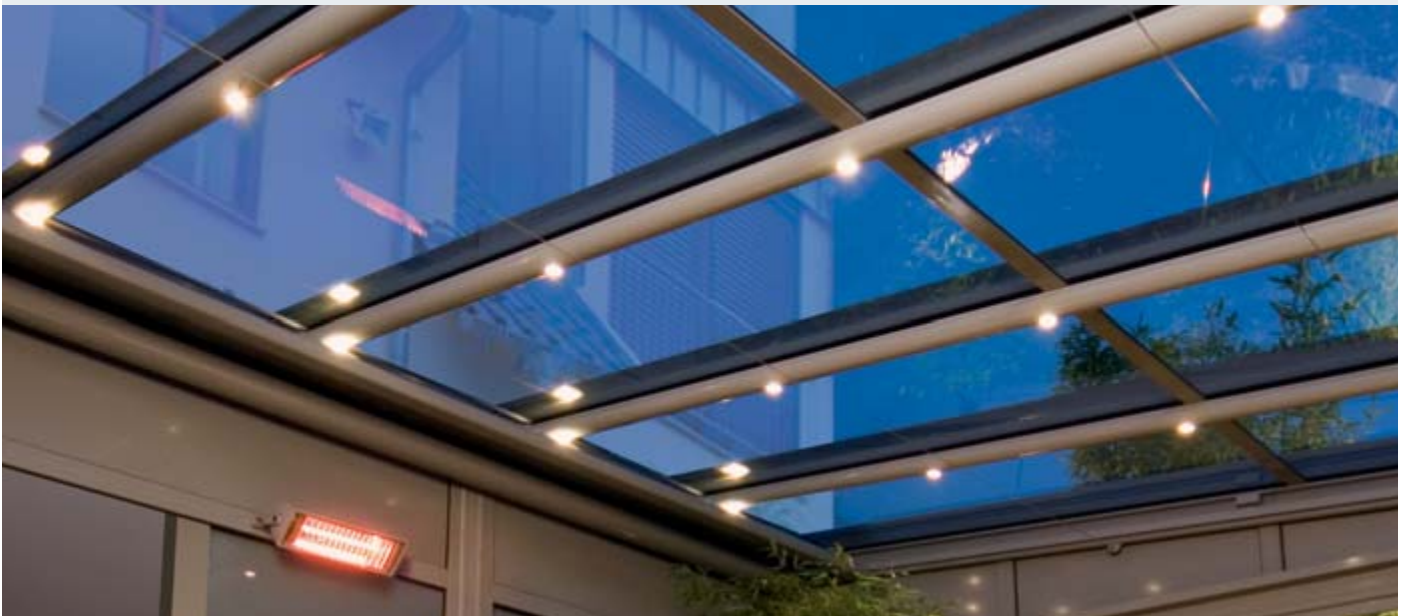
WeiTronic remote control system | LED light bars
Tempura heating system



Contents

High-convenience products	4	Cross-sections of light bars	15
weinor remote controls	6	Attaching the light bar systems	16
WeiTronic transmitters	8	Tempura heating system	18
WeiTronic receivers	10	Frame colours	21
WeiTronic sensors	11	Tempura sectional drawings	
LED light bar systems	12	and installation	22

You can switch off when they are switched on:
smart accessories to make life easier
on your patio



With its LED light bars, Tempura heating system and remote-control operation, weinor is raising the bar when it comes to patio convenience. On long evenings and during cooler seasons, the light bars and heating system create a pleasant light and keep you warm and cosy – so you can use your patio for longer. The WeiTronic remote control system makes things even more convenient and easy to operate. All accessories perfectly complement weinor's products – easy to use with a small number of self-explanatory functions and easy to service as the receivers are easily accessible.

One control system, various convenient functions

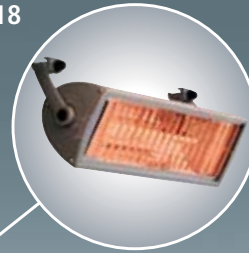


47 frame colours
and 9 trend colours

LED light bar-
systems
Page 12



Tempura
heating system
Page 18



Motor-operated
sun protection



WeiTronic
weather sensors
Page 11

WeiTonic
remote control
Page 6



Overview of high-convenience products

weinor accessories: smart products to make life simpler – absolutely reliable and easy to control



Remoto 1M/5M

Remoto 10M

WeiTronic remote control – reliable, simple and convenient

WeiTronic remote controls make operating awnings/shades, patio lighting and patio heating convenient.

- secure radio transmission on 868 MHz radio frequency
- current standard controls are unidirectional (UniLine)
- in future, controls will increasingly be bidirectional (BiLine)
- various handheld transmitters available, some with display and menu
- receiver can be installed externally to make it easy to replace or integrated into the product for a neat appearance
- fit the ideal motor for each use



Sun, wind and rain sensors – automatically protect your product and keep out the sun

The WeiTronic series remote sensors automatically extend the awning when the sun shines and reliably retract it in the wind or rain.

Available models:

- WeiTronic Sensero-868 AC 230 sun, wind and rain sensor
- WeiTronic Aero-868 AC 230 sun and wind sensor (or solar-run with a WeiTronic Aero-868 solar)



weinor LED technology – atmospheric and energy-saving

Select LED components for top weinor quality.

- atmospheric light thanks to special glass lenses
- long-lasting light-emitting diodes: 30,000 hours with minimum energy consumption
- individually replaceable LED spotlights
- dim to any level with WeiTronic
- can be delivered ready-integrated into various weinor products or separately as an LED or LED Design light bar
- patent pending



High-performance Tempura Universal heating system

The energy-efficient Tempura infrared heating system has an impressive heating capacity of over 1,500 watt in a tiny housing.

- instant heat: no warm-up time
- turn as required for targeted warmth
- operate and dim using WeiTronic remote control
- splash protection
- comes in 47 standard frame colours plus 9 scratchproof, resistant trend colours with a smart, textured look
- option: 150 special RAL colours
- universal bracket makes it easy to retrofit
- TÜV tested

Extremely convenient to operate –
with weinor remote-control systems



WeiTronic remote controls make operating awnings/shades, patio lighting and patio heating extremely convenient. This is thanks, on the one hand, to the tried-and-tested UniLine control technology, and recently also thanks to the interactive BiLine technology.

WeiTronic weather sensors extend the patio awning automatically when the sun comes out, creating pleasant shade. If vertical awnings have been fitted, these ensure that your home stays cool inside even in the heat of the summer. The sun protection unit closes automatically in the wind or rain.



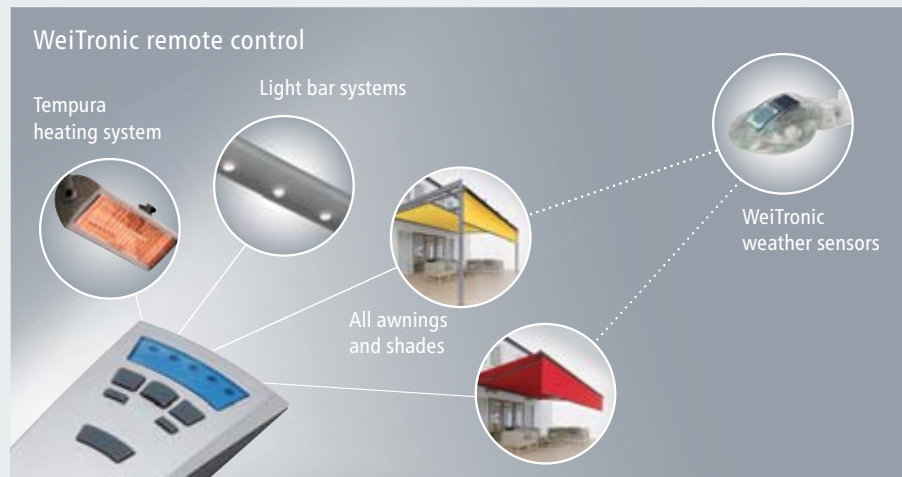
Remoto 1M/5M

Remoto 10M

WeiTronic UniLine – tried-and-tested operating convenience

With UniLine technology, you can only tell whether information has been received from the product you are operating: the receiver does not send back any signal.

- 868 MHz radio frequency: reliable and simple to use
- usually pre-programmed, and also easy to set up
- various weather sensors to suit each purpose

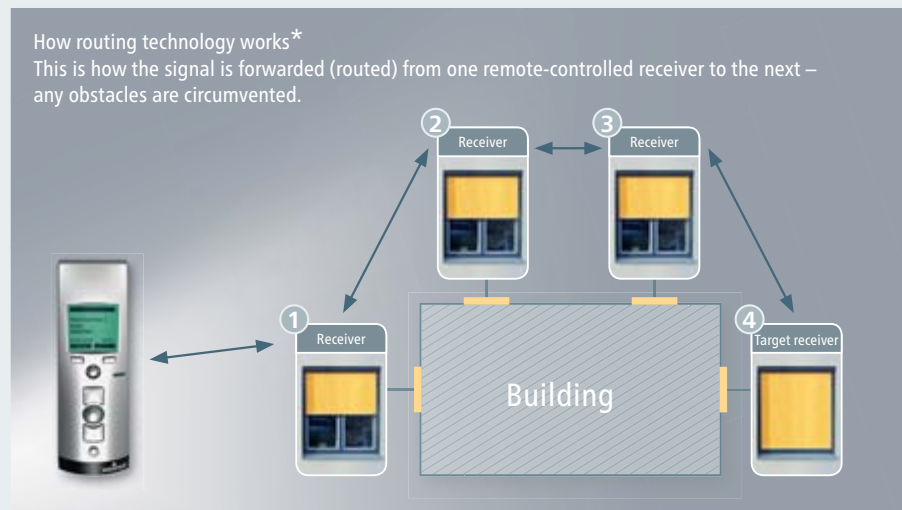


BiEasy 15M handheld transmitter

WeiTronic BiLine – future-proof operating convenience

BiLine technology: all the UniLine features, and more besides:

- The receiver sends the handheld transmitter feedback, saying that it has received a command and is obeying it. This is displayed by the handheld transmitter.
- When several receivers are used, they communicate with one another to ensure that the information is received (routing).
- This technology is coming into increasing use at weinor (launched in 2013 with VertiTex).



* Very simplified illustration






↔ = Routing signal and feedback signal

WeiTronic UniLine – modern user convenience

- included
- unavailable

Pure convenience: with just one handheld transmitter, users can operate all the weinor products on and around their patio and can



see straight away how these react. No feedback from the receiver. Reliable and uncomplicated – and extremely simple to set up.

WeiTronic UniLine handheld transmitter	No. of channels per receiver	Switching to automatic operation
 Remoto 1	1	—
 Remoto 1 M	1	○
 Remoto 5	5	—
 Remoto 5 M	5	○
 Remoto 10 M	10	○


WeiTronic BiLine – future-proof operating convenience

The receiver sends the handheld transmitter feedback, saying that it has received a command and is obeying it. This is shown on the

handheld transmitter display. Absolutely simple – programming is child's play.

WeiTronic BiLine handheld transmitter	No. of channels per receiver	Switching to automatic operation
 BiEasy 1M	1	○
 BiEasy 15M	15	○

WeiTronic wall-mounted transmitter – UniLine and BiLine

WeiTronic UniLine and BiLine wall-mounted transmitters	No. of channels per receiver	Switching to automatic operation
 UniTec-868 UniLine + BiLine	1	○



The WeiTronic Combo series always gets a good reception

WeiTronic UniLine receiver	Used for	Type of plug
Combio-868 MA	awning motor	integrated Hirschmann coupling, 5 m lead, no plug attached
Combio-868 MA-K	Opal Design II awning motor or supplied during servicing	integrated Hirschmann coupling, 10 cm lead, Hirschmann plug
Combio-868 MVLED	awning motor + Valance Plus motor + LED light incl. dimming	weinor system plug, integrated
Combio-868 MVL	awning motor + Valance Plus motor + halogen light incl. dimming	weinor system plug, integrated
Combio-868 MLED	awning motor + LED- light incl. dimming	weinor system plug, integrated
Combio-868 ML	awning motor, halogen light incl. dimming	weinor system plug, integrated
Combio-868 LED	LED/Design light bar, incl. dimming	weinor system plug, integrated
Combio-868 LD-AB	phase control dimmer, suitable for many electronic transformers and filament lamps up to 350 watts	weinor system plug, integrated
Combio-868 LD-AN	phase control dimmer, suitable for ventilators, wound core transformers and filament lamps up to 350 watts	weinor system plug, integrated
Combio-868 HD	heating incl. regulation of heat to any level	6.5 m lead with Schuko safety plug
Combio-868 ST	wireless socket to switch any devices up to 2,000 watts (only for use in dry rooms)	Schuko safety plug, integrated

Depending on the product, the receiver is positioned in the awning housing or attached outside the housing. The WeiTronic Combo-868 MA/HD receivers are splash-proof in accordance with IP 56.

The power cable used depends on the combination of products ordered. In most cases, the model will include a white cable with a Schuko safety plug.

The Schuko safety plug is suitable for getting the awning up and running quickly. In the long term, permanent cabling is required.



Combio name plate with numbers for ordering spare parts and reporting faults








Recommended: Combo MA/HD additional protection in the horizontally mounted designer bar

Designer bar, length: 330 mm, Item number 109070-0000

WeiTronic weather sensors

The automatic WeiTronic awning controls guarantee the best-possible product and sun protection. Depending on the sensor type, they auto-

matically extend the awning when the sun comes out, and (optionally) retract it in the rain or wind.

WeiTronic sensor	Functions	Data transmission			
		Connection	Wireless remote sensor	UniLine	BiLine
 <p>Sensero AC 230 Plus</p>	Combined sun, wind and rain sensor – automatically retracts the awning in the wind or rain and extends it again when the sun comes out.	230 V	—	○	○
 <p>Aero AC 230</p>	Sun and wind sensor – automatically extends the awning in the sun and retracts it in the wind.	230 V	—	○	○
 <p>Aero-868 Solar</p>	Sun and wind sensor – automatically extends the awning in the sun and retracts it in the wind. Runs on a solar cell (not suitable for privacy screens).	—	○	○	○
 <p>Lumero-868</p>	Sun sensor – automatically extends the awning in the sun. Runs on a solar cell.	—	○	○	○
 <p>Agido-868</p>	Product protection sensor, battery-run – retracts the awning when it senses vibrations and movement (e.g. gusts of wind).	2x1.5V, AAA	○	○	—

○ optional
— unavailable

When weather sensors are combined:

1. if circumstances are unfavourable, waiting times may accumulate.
2. wind-triggered control takes priority over manual operation.

Energy-saving LED technology in a timelessly lovely design





weinor LED light bars add that special touch to any patio: their warm glow creates attractive lighting while allowing the patio to be used for much longer. Based on modern LED technology, the innovative light bars can save a great deal of energy. What is more, the light-emitting diodes have a long lifetime of some 30,000 hours, also helping to save resources. The weinor LED light bars can be operated and even dimmed using WeiTronic remote-control technology.



LED light bar versions

- standard
- optional
- unavailable

	LED light bar	LED Design light bar
		
Technology		
Max. width	650 cm	650 cm
Max. no. of spotlights	11	11
Bar size (W x H)	75 x 89 mm	80 x 51 mm
Power consumption	2.6 watts LED lights	2.6 watts LED lights
Installation options	wall and ceiling installation or straight on the product	
Design		
47 standard frame colours	●	●
Over 150 other RAL colours	○	○
9 trend colours	●	●
Other textured colours	○	○
Controls		
Remote control	○ WeiTronic Combio-868-LED, dimmable	
Cabling	230 volts, 6.5 m power cable with IP 44 Schuko safety plug (cable in white)	
Accessories/attachment		
Attachment	standard wall installation set, additional ceiling installation set with angle bracket	set of adjustable brackets for installation on a wall or on the Terrazza roof support
Cabling accessories		connection lead (1 m) for 2 light bars, 2.5 m cable track with adhesive tape



LED light bars – 30,000 hours of lighting with minimal energy consumption

With their timelessly lovely design, the weinor light bars match more than just weinor products:

- Made in Germany: developed by weinor, guaranteeing quality and spare parts availability
- individual LED lights can easily be replaced

- lifetime of 30,000 hours
- energy-saving: 85% less than halogen lighting
- dim to any level with the WeiTronic remote control

Save on operating costs with LED: positive result in terms of performance and consumption



Save with every single LED spotlight:

- as much light as a 20-watt halogen spotlight but uses 85 % less energy
- weinor's 2.6-watt LED lamps produce 187 lumen (lm) of light
- a 20-watt halogen spotlight produces 200 lm of light using 7 times as much energy

Save even more on a width of 6.5 m:

- with its 11 LED spotlights, the weinor LED bar delivers 2,057 lm of light in all.
- by comparison, the conventional weinor halogen light bar has 7 spotlights and delivers 1,400 lm of light in all.
- that makes about 50% more light for the same price.

Size and number of LED lights (LED and LED Design light bars)

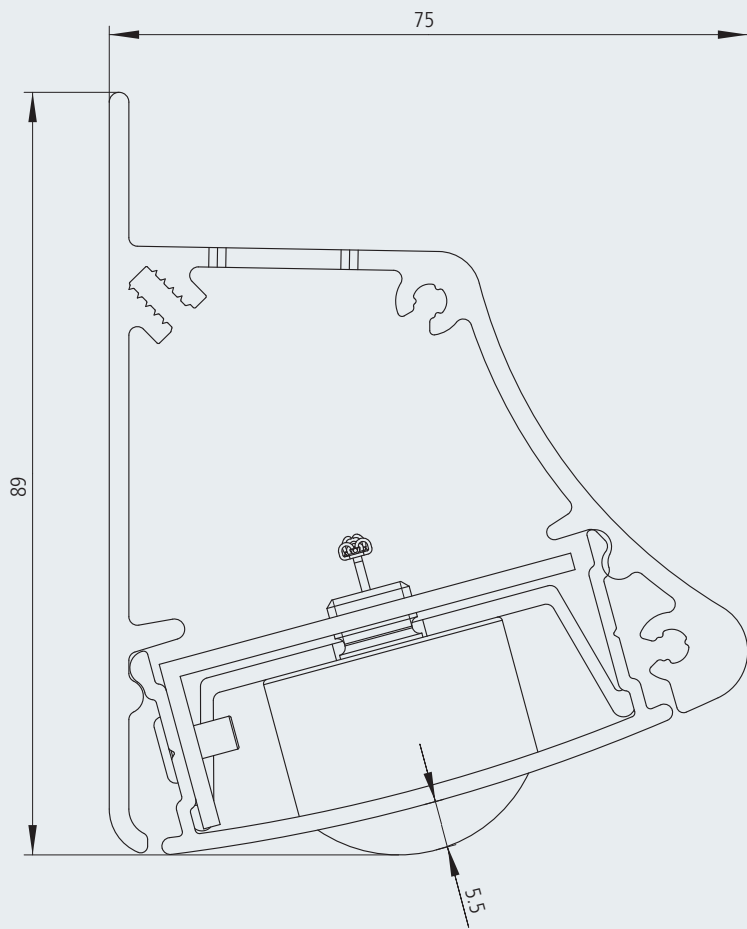
Width of light bar	Number of separate LED spotlights
150 – 164 cm	2
165 – 219 cm	3
220 – 274 cm	4
275 – 329 cm	5
330 – 384 cm	6

Awning width	Number of separate LED spotlights
385 – 439 cm	7
440 – 494 cm	8
495 – 549 cm	9
550 – 604 cm	10
605 – 650 cm	11

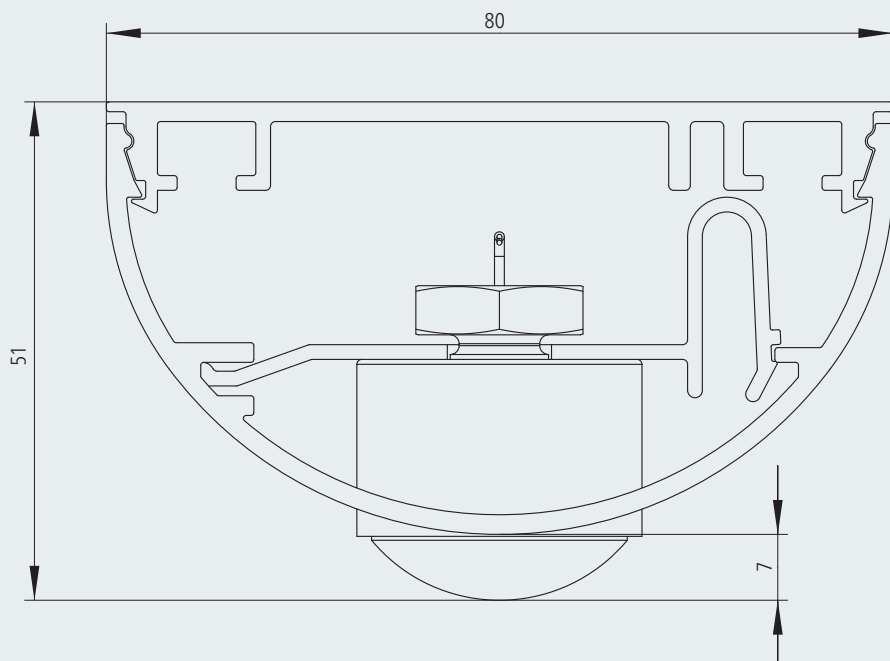
The LED spotlights in the light bars are generally positioned symmetrically. In the case of multi-section

units, the spacing at the section joints may be irregular.

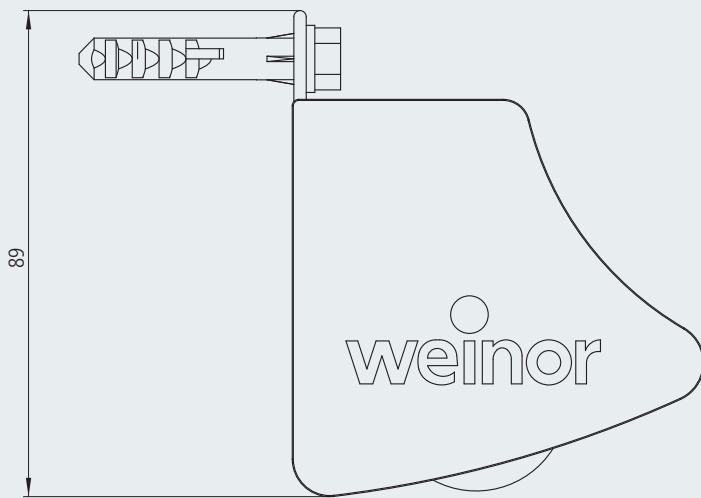
Cross-section of LED light bar



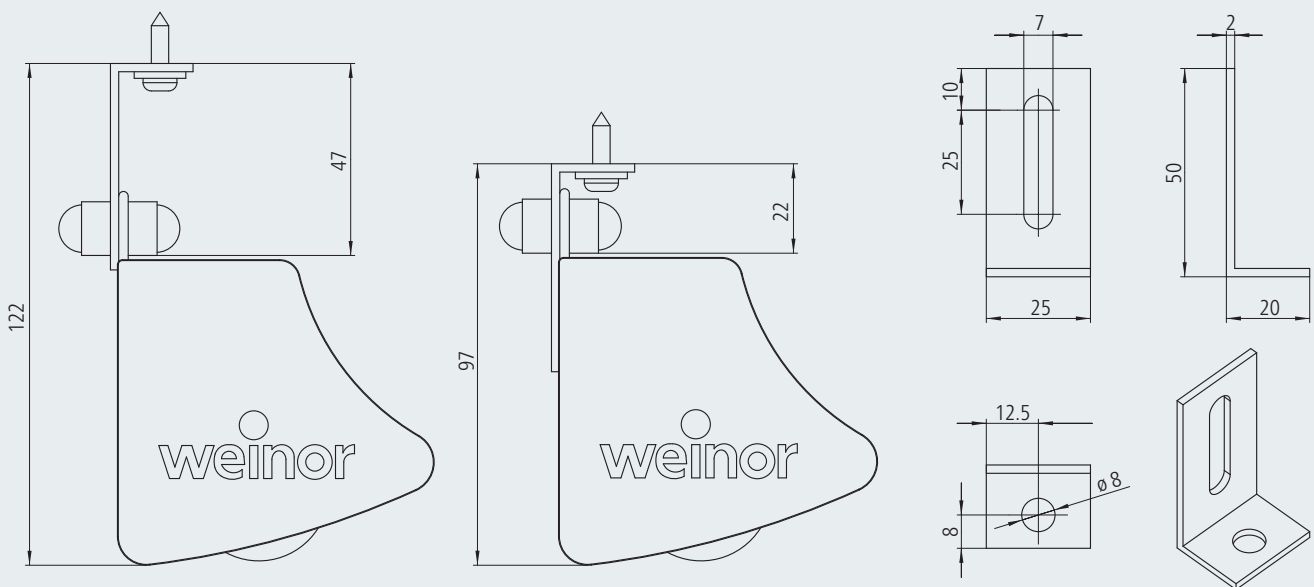
Cross-section of LED Design light bar



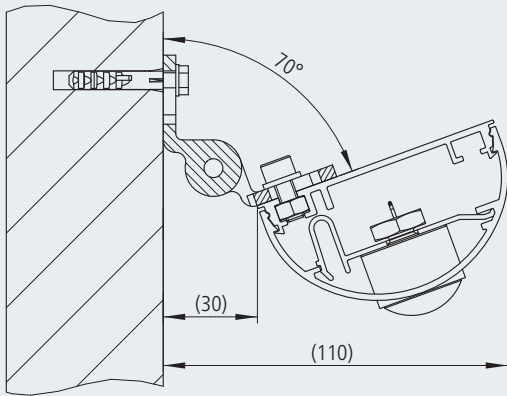
LED light bar mounting version: direct wall installation



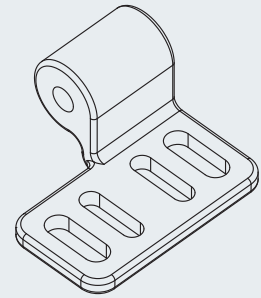
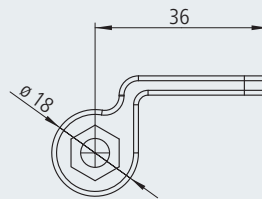
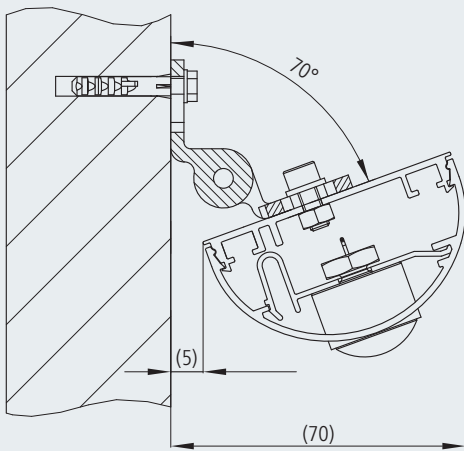
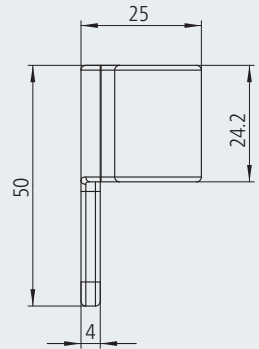
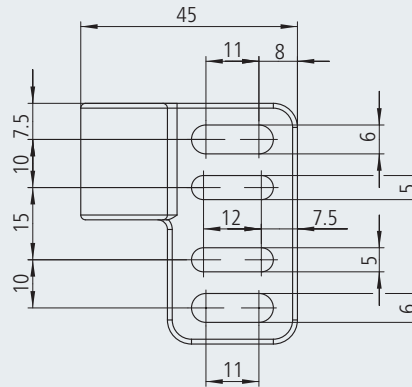
LED light bar mounting version with angle bracket for ceiling installation



LED Design light bar mounting version with adjustable bracket for wall installation

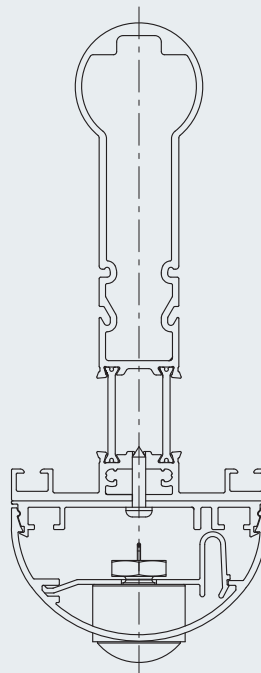


Set of brackets to attach LED light bar and set distance from wall or product



LED Design light bar mounting version – installed on Terrazza roof support

For further information on combinations and attaching the LED Design light bar to weinor products, please see the technical information brochures for the products in question.



Tempura patio heating – a big performance from a small heater



The weinor Tempura heating system provides instant, cosy warmth indoors and out. The neat appearance of this small heater fits in with any architectural style. The energy-efficient infrared heating can be retrofitted to complement any weinor product and brings a pleasant warmth to any other existing patio setup. When operated using the WeiTronic remote control, the Tempura heating can be set to any level.



- standard
- optional
- unavailable

Overview of Tempura patio heating

Tempura heating system	
Technology	
Dimensions	46 cm wide, 13 cm high, 11 cm deep
Output/power consumption	230 volts, 50 Herz, 1,500 watts
Weight	2.5 kg
Tilt radius	40°; 70° on a ceiling
Installation options	universal installation on walls and ceilings, bracket to attach to Opal Design
Design	
47 standard frame colours	●
Over 150 other RAL colours	○
9 trend colours	●
Other textured colours	○
Controls	
Remote control	<ul style="list-style-type: none"> ○ WeiTronic Remoto handheld transmitter, 1 for individual control ○ Combio-868 HD receiver to switch the heating on and off or set the level ○ 330 mm designer bar to hold the receiver
Cabling	1.5 m cable, Hirschmann coupling and Schuko safety plug
Quality	
	TÜV-tested splash protection, IP 24, protection rating I



Energy-saving infrared heat as soon as you switch it on

The effect of the heating system's warm infrared rays can be felt as soon as you turn it on. No need for long heat-up times as with other

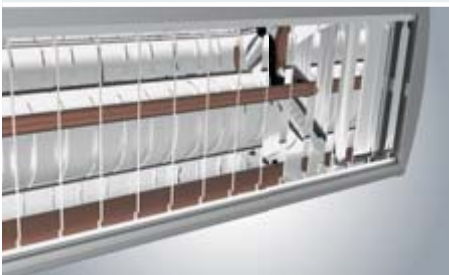
heating systems, e.g. medium-wave heaters. Combined with the WeiTronic remote control, you can heat to any level with the Tempura.



Swivelling housing – easy to install

The Tempura housing can be swivelled up and down to any angle – up to 40° when mounted on a wall and up to 70° on a ceiling. This allows for perfectly targeted heating.

The Tempura can be fitted to any wall using the universal bracket. It can also be attached straight to the Opal Design cassette awning using a special bracket.



Protected against overheating and splash-proof

Integrated cooling fins and an open construction reliably protect the housing against overheating.

The Tempura is constructed for outdoor use. No extra splash protection is required, e.g. a pane of glass. TÜV tested, protection rating I, protection type IP 24





Wide range of frame colours – abundance of choices

weinor coats all of its products in its own workshop. This ensures that they have the best-possible colour tonality and identical gloss levels.

- 47 standard RAL frame colours, silk gloss (gloss level $70 \pm 5\%$ when measured at a 60° angle)
- 9 scratchproof, resistant trend colours with a textured look
- over 150 special RAL colours

47 standard frame colours

RAL 1002 Sandy yellow	RAL 1003 Signal yellow	RAL 1014 Ivory	RAL 1015 Light ivory	RAL 1023 Traffic yellow	RAL 1034 Pastel yellow	RAL 2000 Yellow orange	RAL 2002 Vermilion	RAL 2011 Deep orange
RAL 3002 Carmine red	RAL 3004 Magenta red	RAL 3007 Black red	RAL 4005 Blue lilac	RAL 4006 Traffic purple	RAL 5005 Signal blue	RAL 5009 Azure blue	RAL 5014 Pigeon blue	RAL 5021 Water blue
RAL 5022 Night blue	RAL 5024 Pastel blue	RAL 6005 Moss green	RAL 6009 Fir green	RAL 6011 Reseda green	RAL 6012 Black green	RAL 7015 Slate grey	RAL 7016 Anthracite grey	RAL 7021 Black grey
RAL 7030 Stone grey	RAL 7032 Pebble grey	RAL 7035 Light grey	RAL 7039 Quartz grey	RAL 7040 Window grey	weinor 7319 weinor grey	RAL 8001 Ochre brown	RAL 8003 Clay brown	RAL 8014 Sepia brown
RAL 8016 Mahogany brown	RAL 8017 Chocolate brown	RAL 8019 Grey brown	RAL 8022 Black brown	weinor 8077 weinor dark brown	RAL 9001 Cream	RAL 9005 Jet black	RAL 9006 White aluminium	RAL 9007 Grey aluminium
RAL 9010 Pure white	RAL 9016 Traffic white							

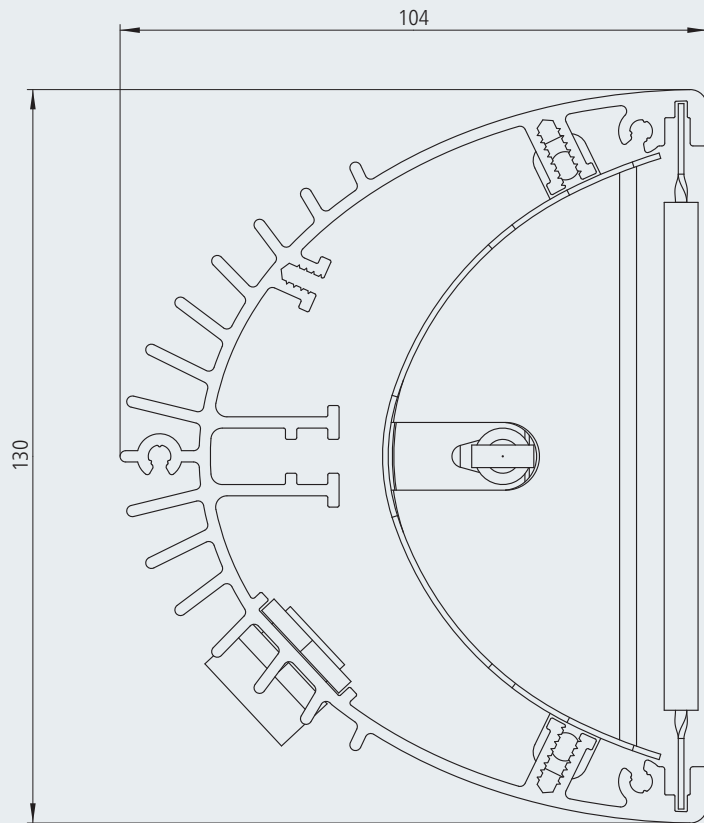
9 trend colours

WT 29/10797 Approx. RAL 9010	WT 29/50704 Approx. RAL 6009 metallic	WT 29/60740 Chestnut 04 metallic	WT 29/70786 Sparkling iron effect	WT 29/71289 Approx. RAL 7016 metallic	WT 29/80077 Approx. DB 703 metallic	WT 29/80081 Iron glimmer effect P 7	WT 29/90146 Approx. RAL 9006 metallic	WT 29/90147 Approx. RAL 9007 metallic

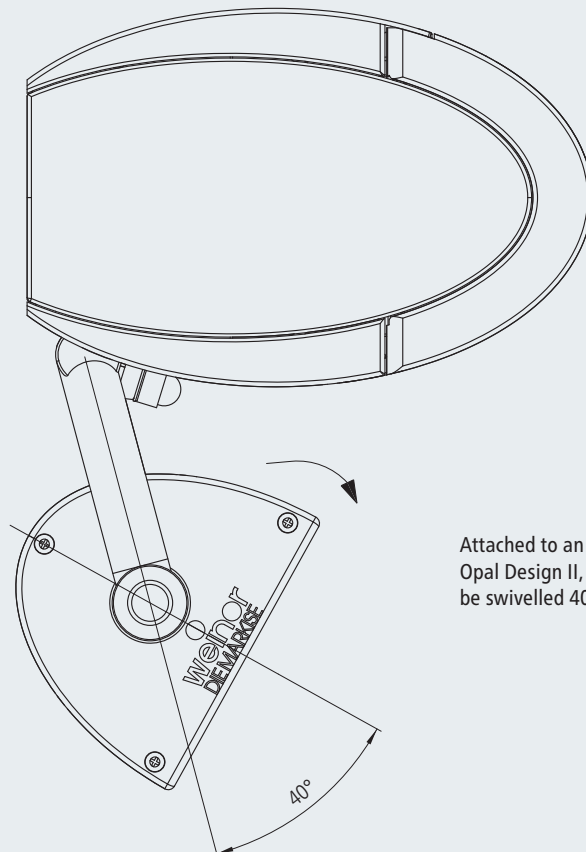
weinor is an eco-friendly company. To ensure compliance with high environmental standards, manufacturing processes and materials undergo regular testing by experts.

As a result of the ban on the use of heavy metals in powder coatings, paint manufacturers can no longer guarantee colour stability despite making every effort to do so. It therefore cannot be excluded that colours in general, and Fire Red (RAL 3000) in particular, may fade with time. For technical reasons, the colours may appear significantly different when printed.

Sectional drawing of Tempura

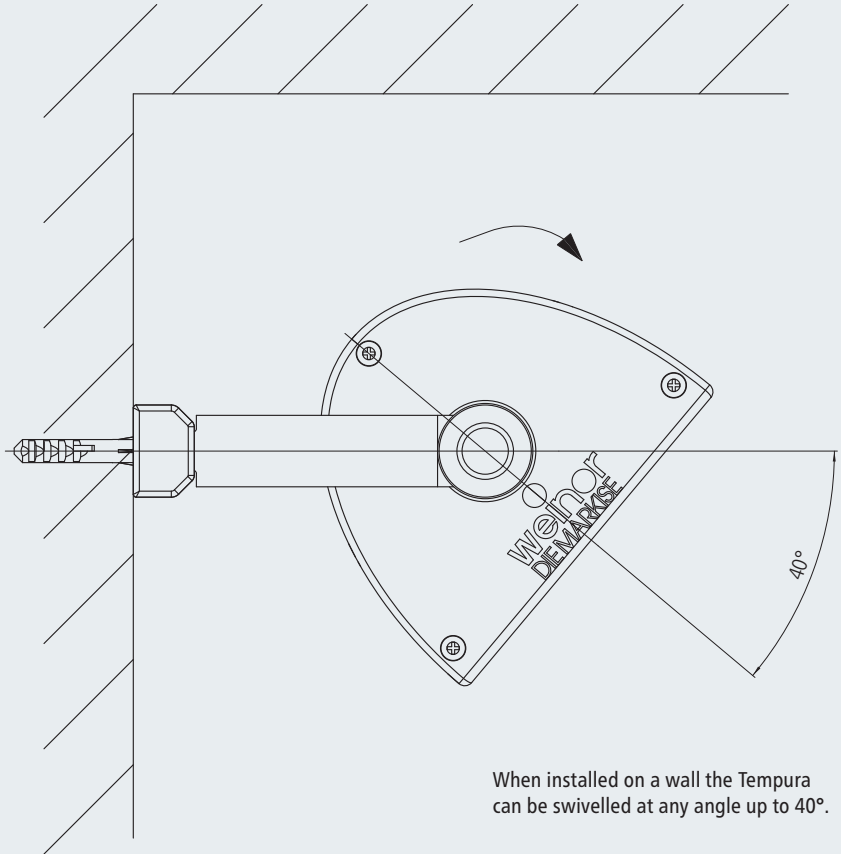


Attaches to Opal Design using special bracket



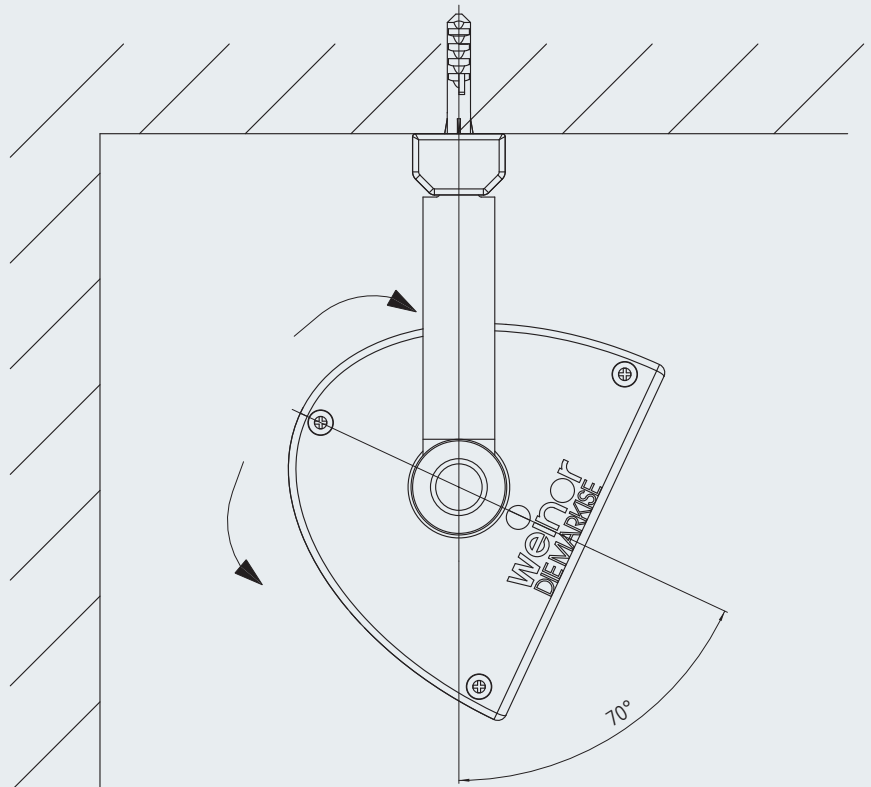
Attached to an Opal Design/
Opal Design II, the Tempura can
be swivelled 40°.

Tempura wall mounting



When installed on a wall the Tempura can be swivelled at any angle up to 40°.

Tempura ceiling mounting



When installed on a ceiling the Tempura can be swivelled at any angle up to 70°.

Awnings



Awning



Awning with Valance Plus and Tempura



Awning with Valance Plus and Paravento



Premium quality
Made in Germany

Textile awning with posts



PergoTex and Tempura



Textile patio roof Plaza Home and Paravento

Customised, systemised solutions

Patio roof and Glasoase®



Glasoase® with conservatory awning and all-glass elements



Patio roof with SUPER LITE fixed glazing



Terrazza patio roof with Sottezza sun protection



Plaza Pro textile patio roof with Paravento and VertiTex

Patent no			
EP1310609	1541776	EP0916781	0994221
1403442	2072709	EP0959195	1206609
1382770	0745742	EP0942114	1099808

Last revised: May 2013

We reserve the right to make technical changes. For technical reasons, the colours may appear slightly different when printed.